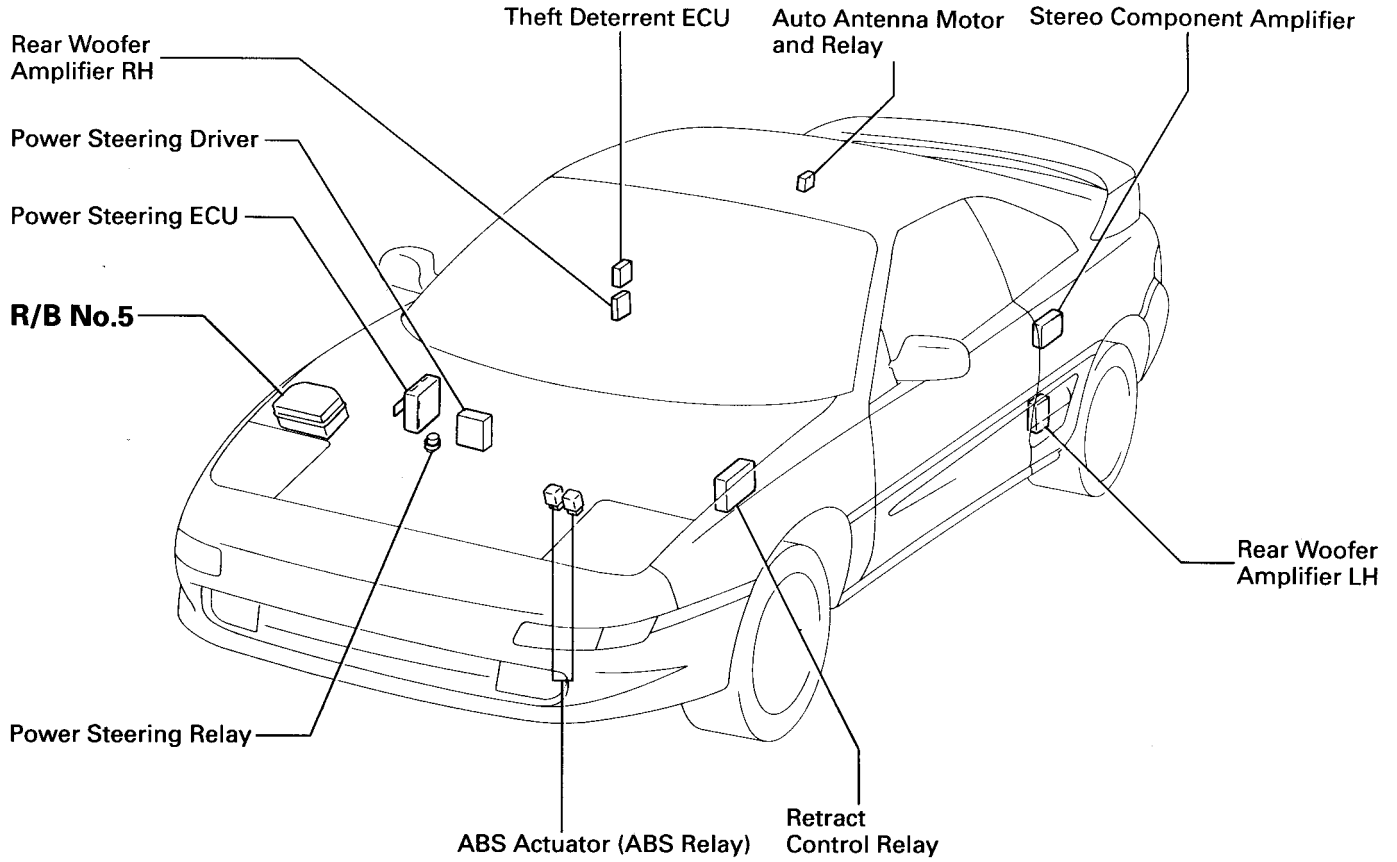
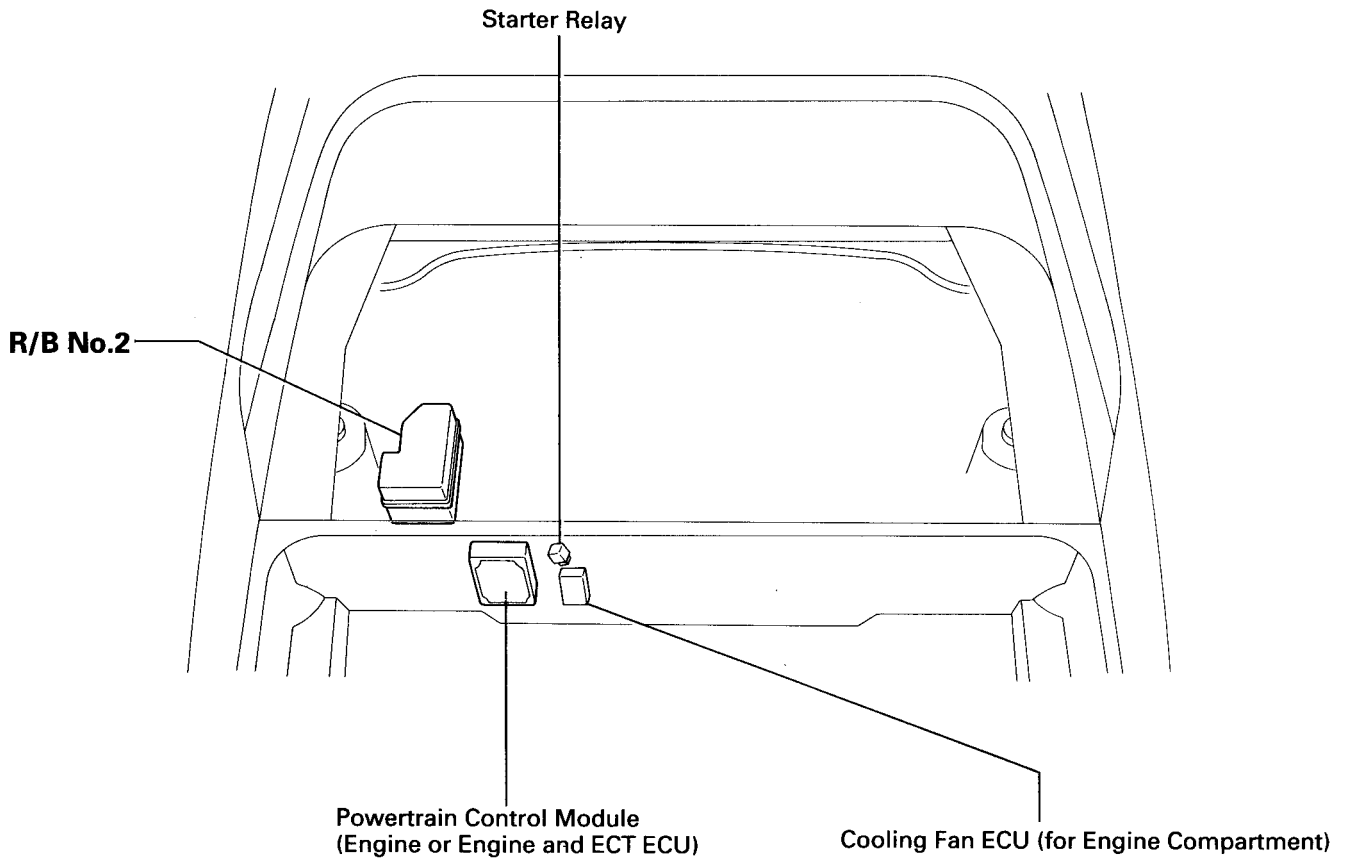


RELAY LOCATIONS

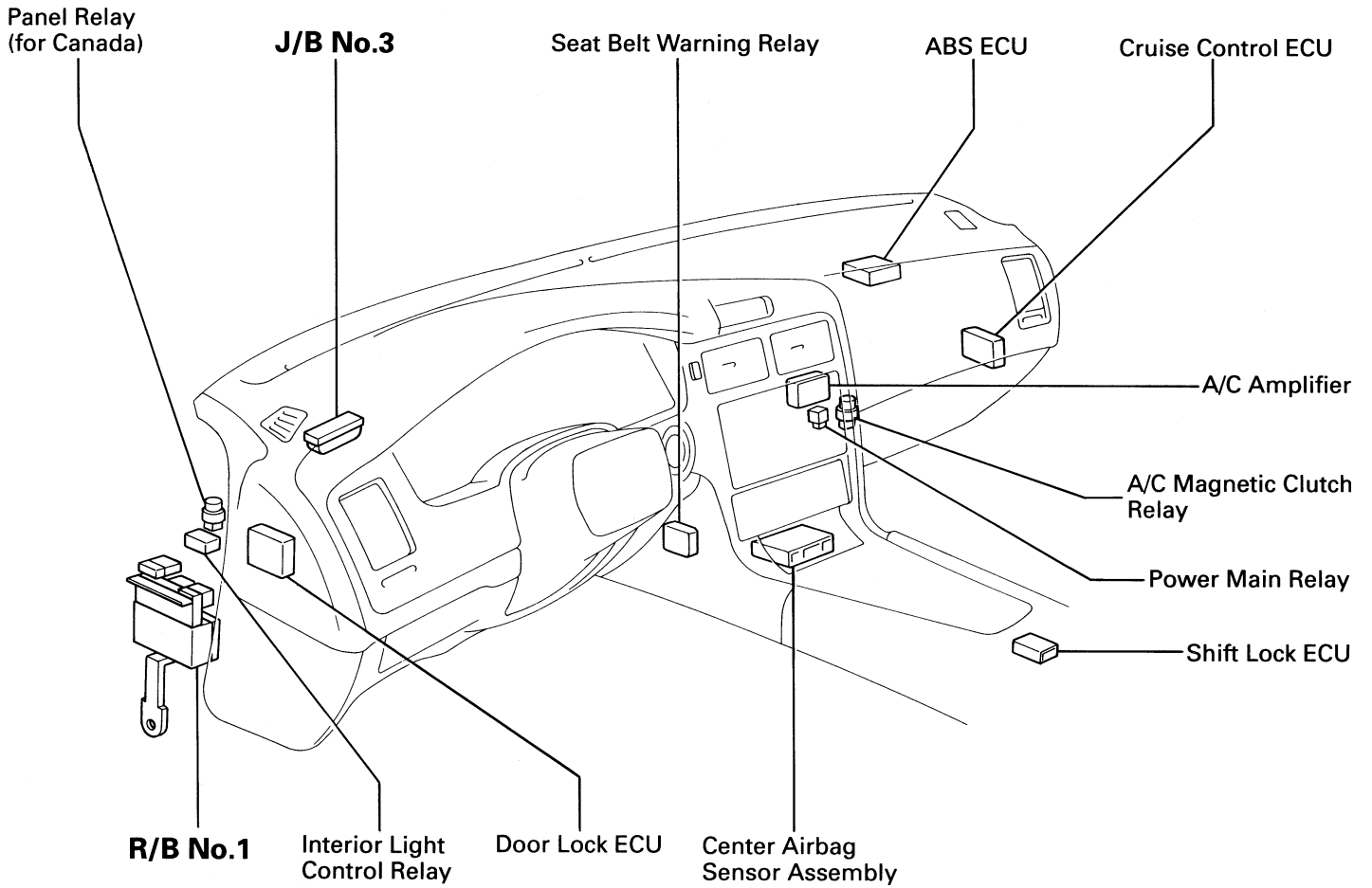
[Body]



[Engine Compartment]

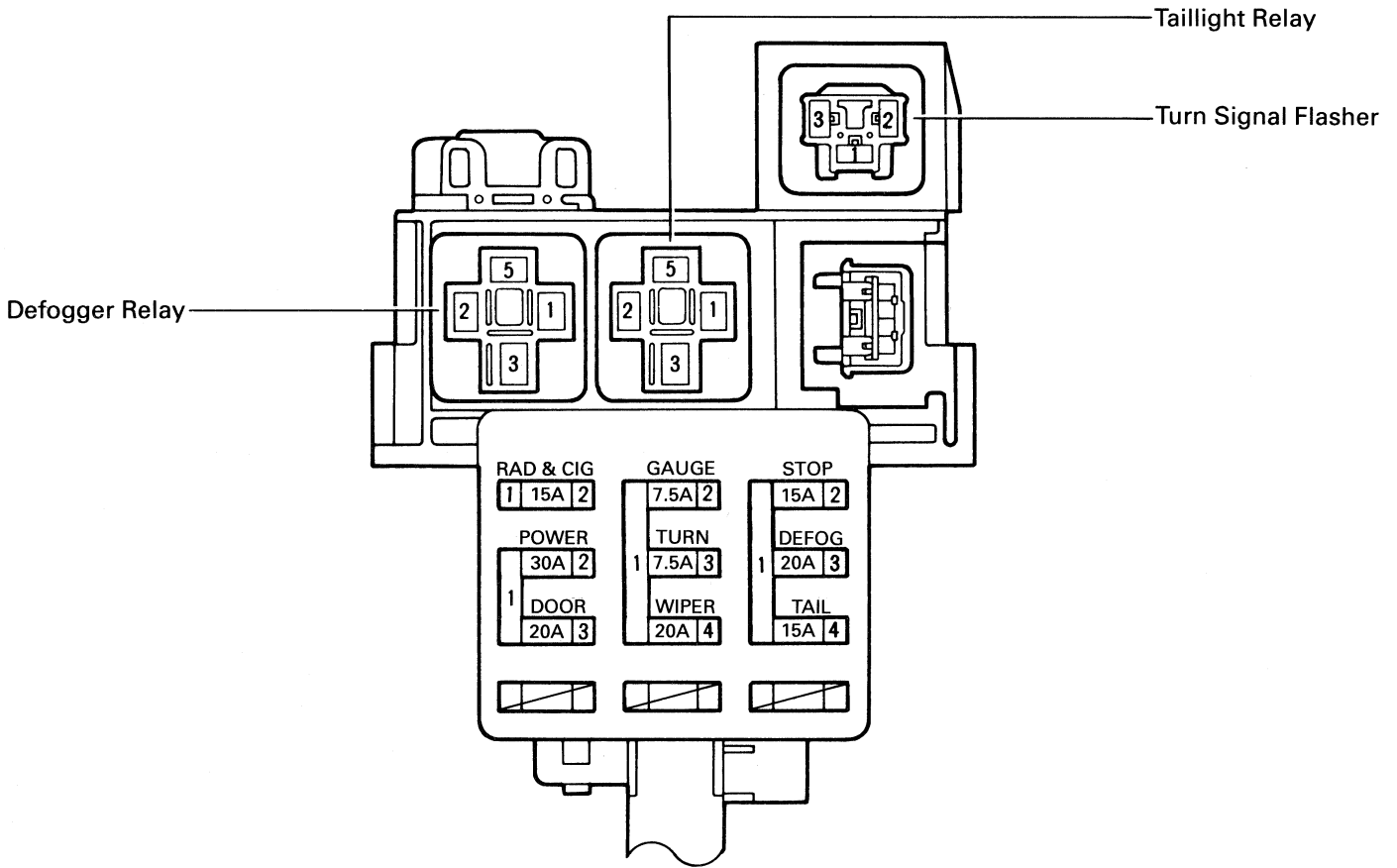


[Instrument Panel]

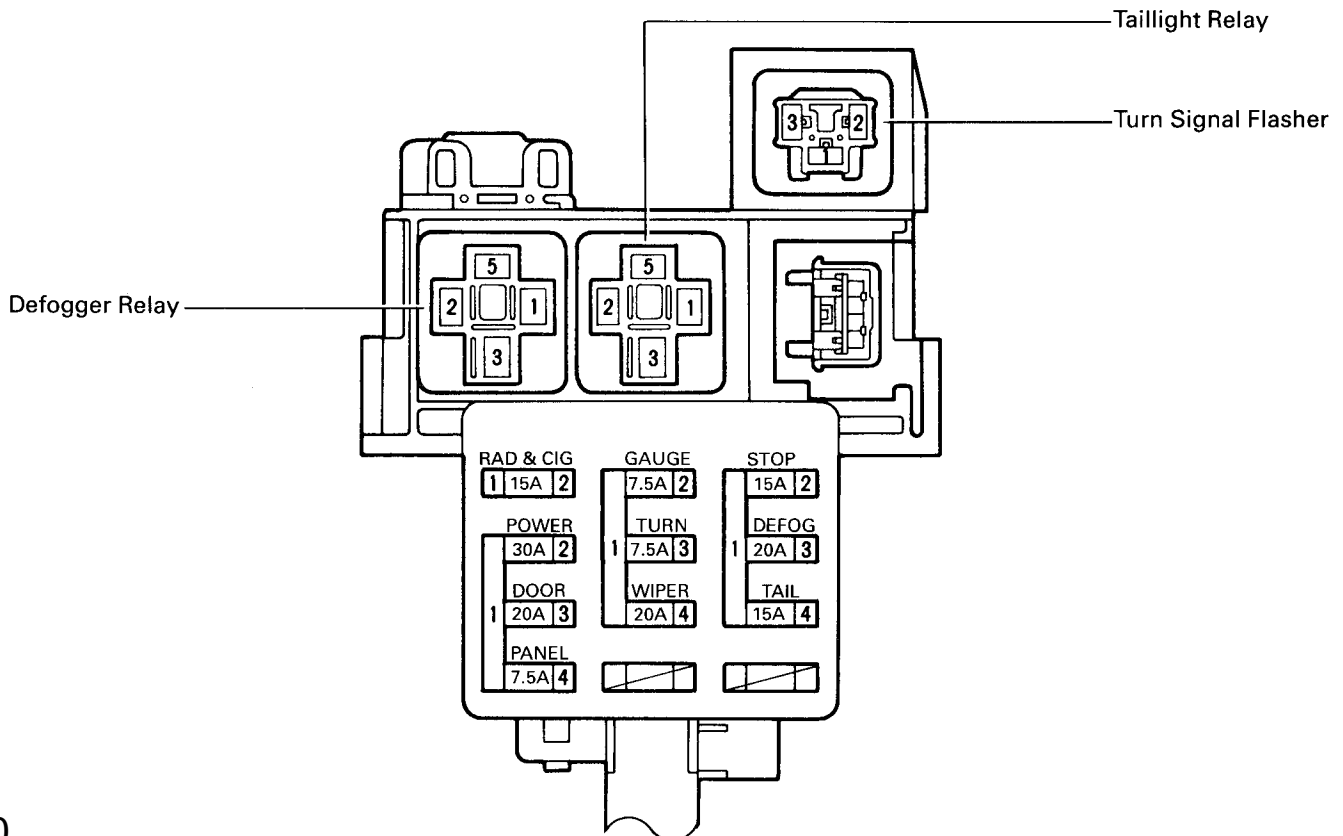


RELAY LOCATIONS

① : R/B No. 1 Left Kick Panel (See Page 19)
 (for USA)

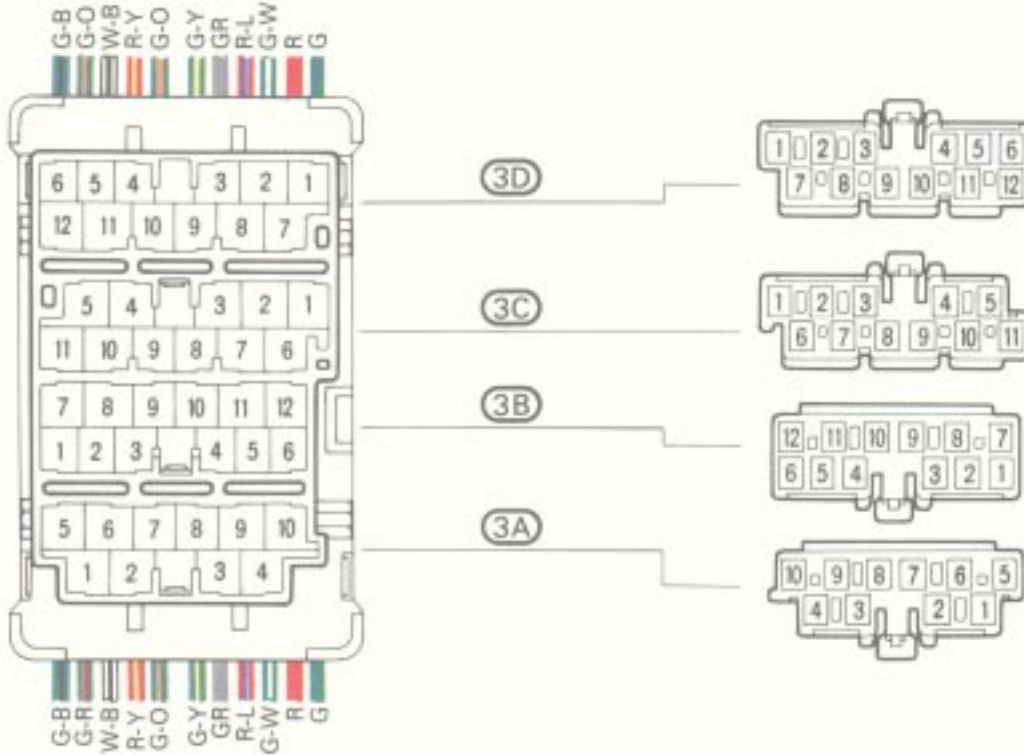


(for Canada)



RELAY LOCATIONS

○ : J/B No. 3 Behind Combination Meter (See Page 19)



[J/B No. 3 Inner Circuit]

