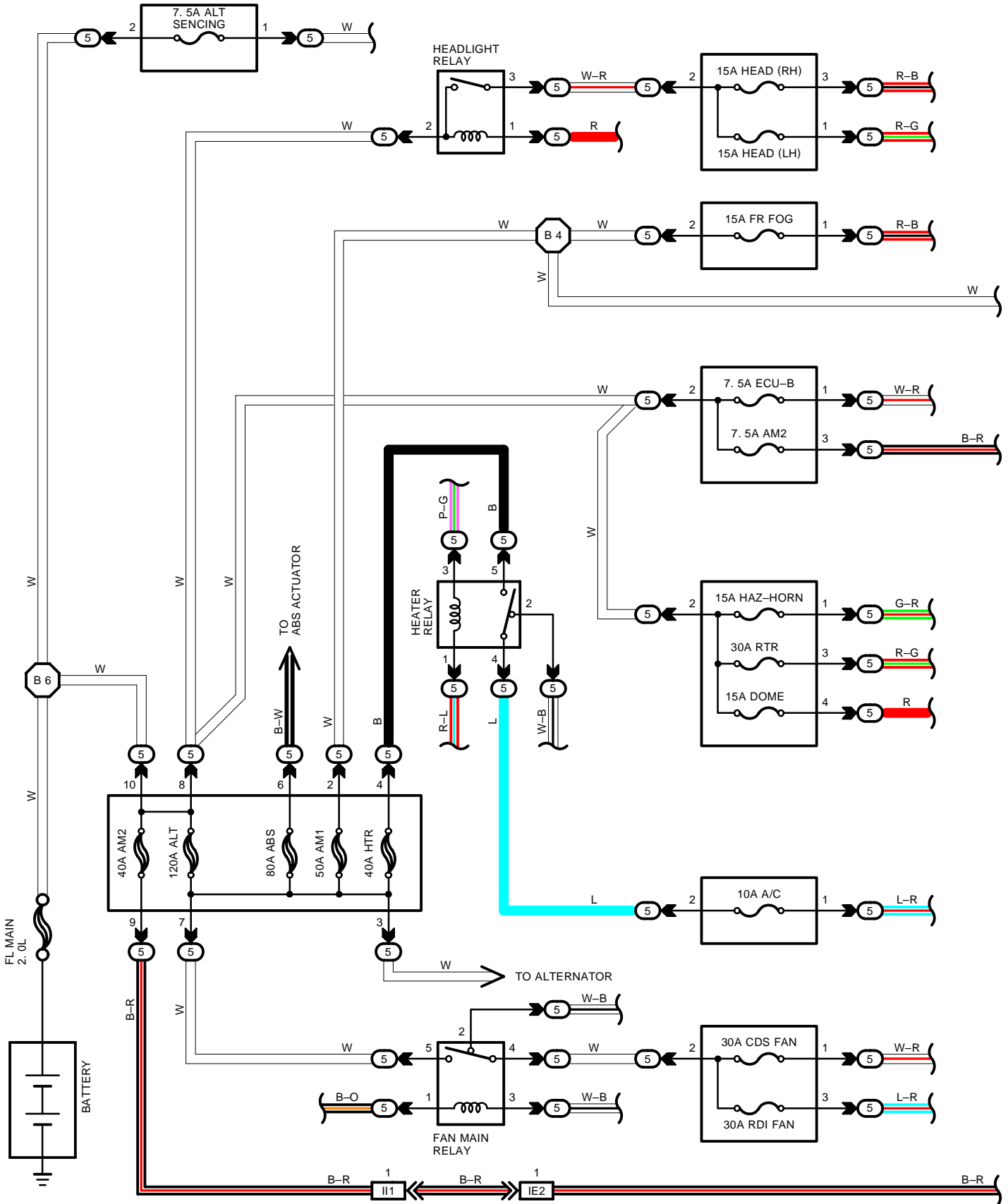


# POWER SOURCE





# POWER SOURCE

## SERVICE HINTS

### HEADLIGHT RELAY

2-3: CLOSED WITH LIGHT CONTROL SW AT **HEAD** POSITION OR DIMMER SW AT **FLASH** POSITION

### IGNITION MAIN RELAY

5-4: CLOSED WITH IGNITION SW AT **ON** OR **ST** POSITION

### FAN MAIN RELAY

4-5: CLOSED WITH IGNITION SW AT **ON** OR **ST** POSITION

## ○ : PARTS LOCATION

CODE	SEE PAGE	CODE	SEE PAGE	CODE	SEE PAGE
I11	26				

## ○ : RELAY BLOCKS

CODE	SEE PAGE	RELAY BLOCKS (RELAY BLOCK LOCATION)
1	20	R/B NO. 1 (LEFT KICK PANEL)
2	21	R/B NO. 2 (ENGINE COMPARTMENT LEFT)
5	21	R/B NO. 5 (FRONT LUGGAGE COMPARTMENT RIGHT)

## □ : CONNECTOR JOINING WIRE HARNESS AND WIRE HARNESS

CODE	SEE PAGE	JOINING WIRE HARNESS AND WIRE HARNESS (CONNECTOR LOCATION)
IE2	32	ENGINE ROOM MAIN WIRE AND COWL WIRE (LEFT KICK PANEL)
IE4		
I11	34	LUGGAGE ROOM WIRE AND COWL WIRE (RIGHT KICK PANEL)
I12		
I13		

## ○ : SPLICE POINTS

CODE	SEE PAGE	WIRE HARNESS WITH SPLICE POINTS	CODE	SEE PAGE	WIRE HARNESS WITH SPLICE POINTS
I10	34	COWL WIRE	B 6	36	LUGGAGE ROOM WIRE
B 4	36	LUGGAGE ROOM WIRE	B23	36	ENGINE ROOM MAIN WIRE

I11 BLACK

