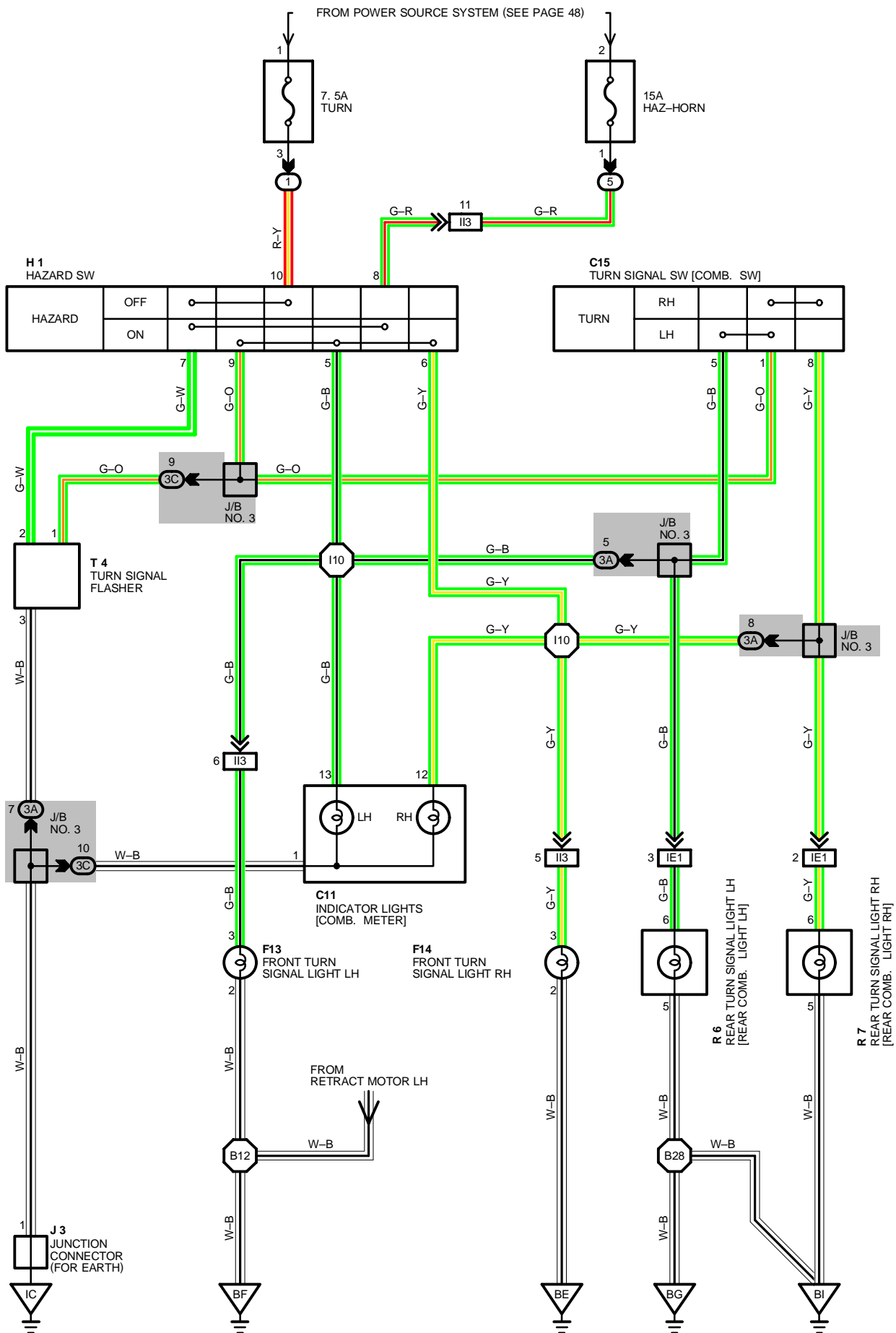


# TURN SIGNAL AND HAZARD WARNING LIGHT



## SERVICE HINTS

### T 4 TURN SIGNAL FLASHER

2-GROUND : APPROX. 12 VOLTS WITH IGNITION SW ON OR THE HAZARD SW ON

1-GROUND : CHANGES FROM 12 TO 0 VOLTS WITH IGNITION SW ON AND TURN SIGNAL SW LEFT OR RIGHT, OR WITH HAZARD SW ON

3-GROUND : ALWAYS CONTINUITY

### ○ : PARTS LOCATION

CODE	SEE PAGE	CODE	SEE PAGE	CODE	SEE PAGE
C11	26	F14	27	R 6	27
C15	26	H 1	26	R 7	27
F13	27	J 3	26	T 4	26

### ○ : RELAY BLOCKS

CODE	SEE PAGE	RELAY BLOCKS (RELAY BLOCK LOCATION)
1	20	R/B NO. 1 (LEFT KICK PANEL)
5	21	R/B NO. 5 (FRONT LUGGAGE COMPARTMENT RIGHT)

### ○ : JUNCTION BLOCK AND WIRE HARNESS CONNECTOR

CODE	SEE PAGE	JUNCTION BLOCK AND WIRE HARNESS (CONNECTOR LOCATION)
3A	22	COWL WIRE AND J/B NO. 3 (BEHIND COMBINATION METER)
3C		

### □ : CONNECTOR JOINING WIRE HARNESS AND WIRE HARNESS

CODE	SEE PAGE	JOINING WIRE HARNESS AND WIRE HARNESS (CONNECTOR LOCATION)
IE1	32	ENGINE ROOM MAIN WIRE AND COWL WIRE (LEFT KICK PANEL)
II3	34	COWL WIRE AND LUGGAGE ROOM WIRE (RIGHT KICK PANEL)

### ▽ : GROUND POINTS

CODE	SEE PAGE	GROUND POINTS LOCATION
IC	32	INSTRUMENT PANEL BRACE LH
BE	36	FRONT RIGHT FENDER
BF	36	FRONT LEFT FENDER
BG	36	UNDER THE LEFT CENTER PILLAR
BI	36	BACK PANEL CENTER

### ○ : SPLICE POINTS

CODE	SEE PAGE	WIRE HARNESS WITH SPLICE POINTS	CODE	SEE PAGE	WIRE HARNESS WITH SPLICE POINTS
I10	34	COWL WIRE	B28	36	ENGINE ROOM MAIN WIRE
B12	36	LUGGAGE ROOM WIRE			

