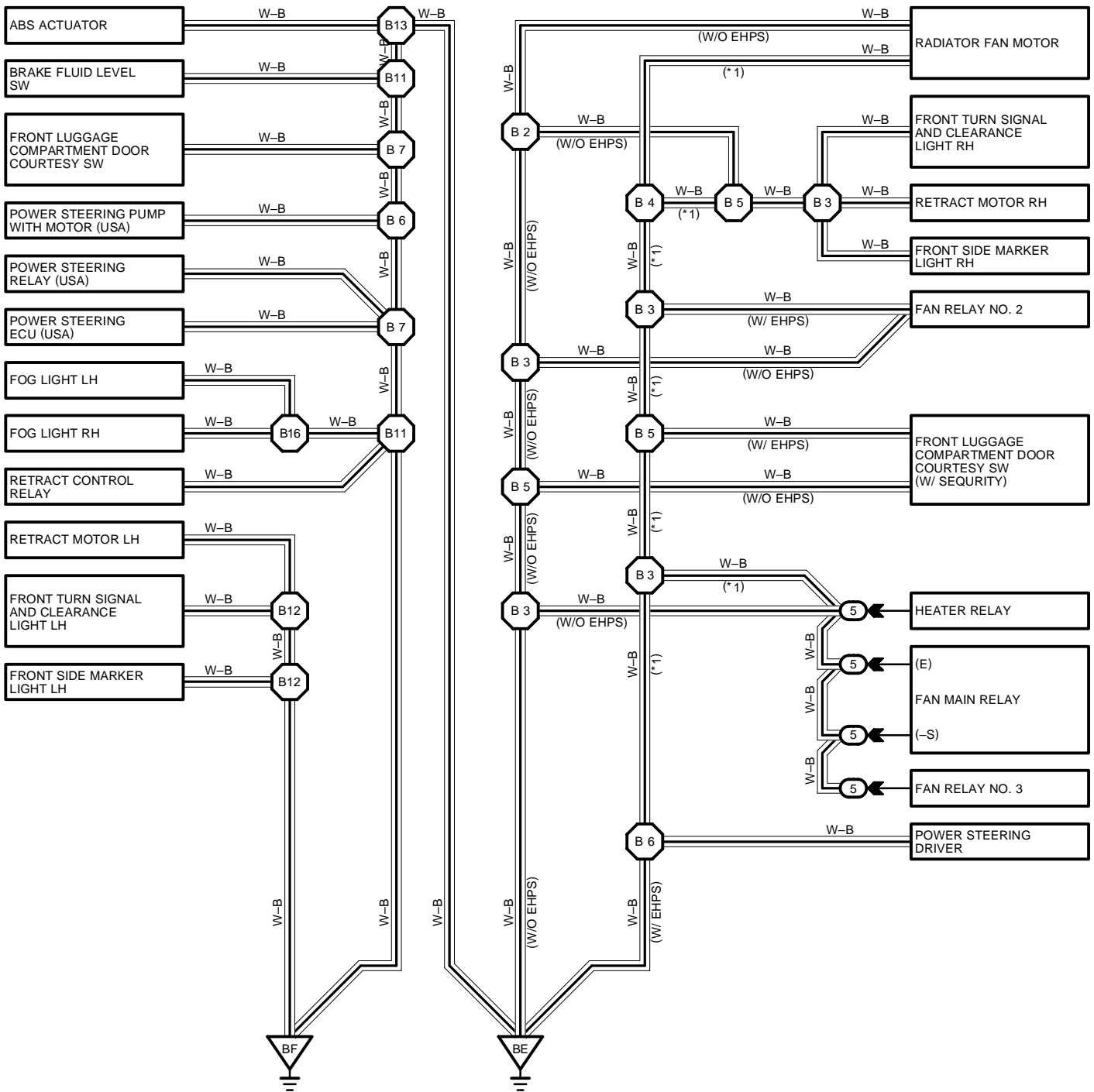
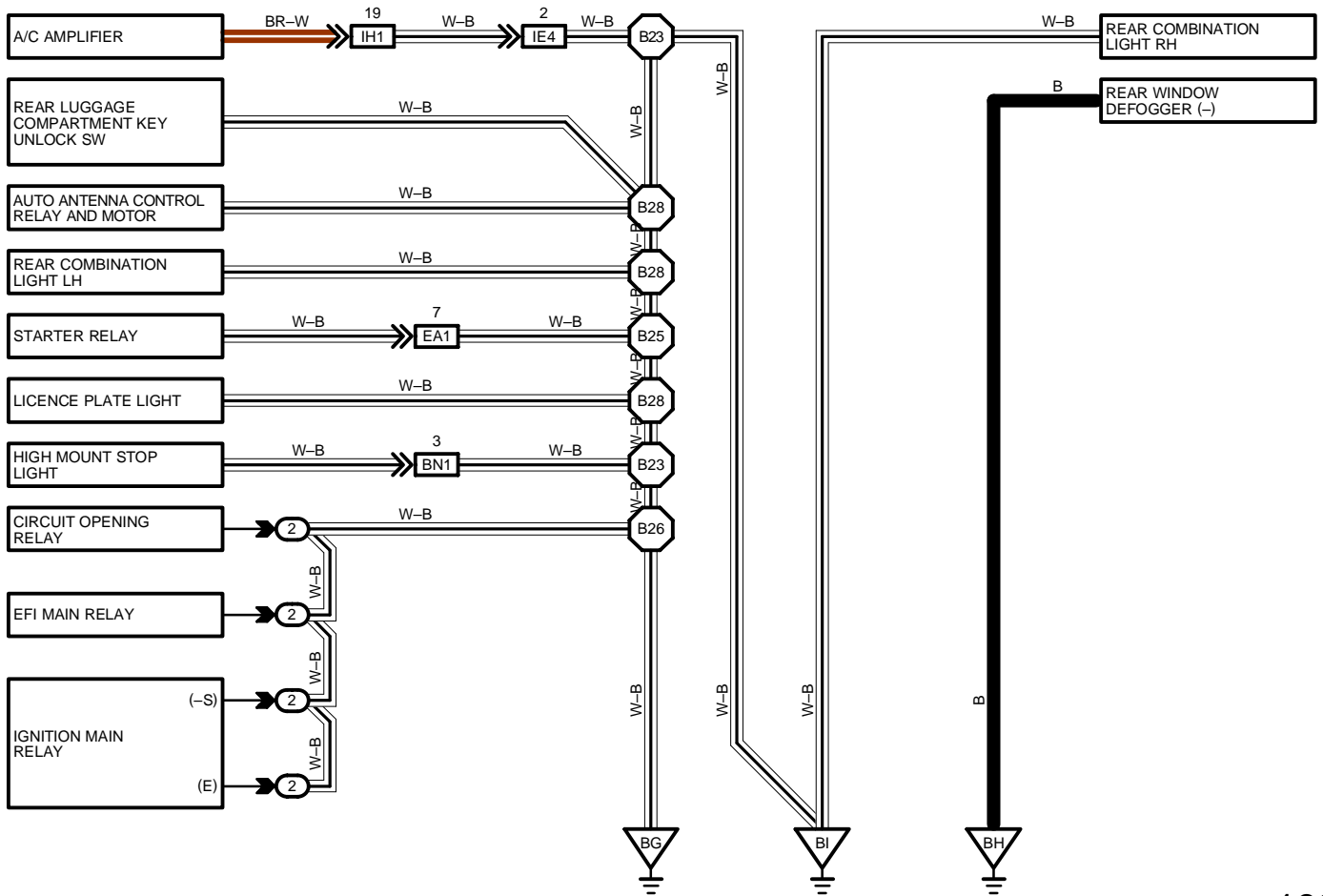
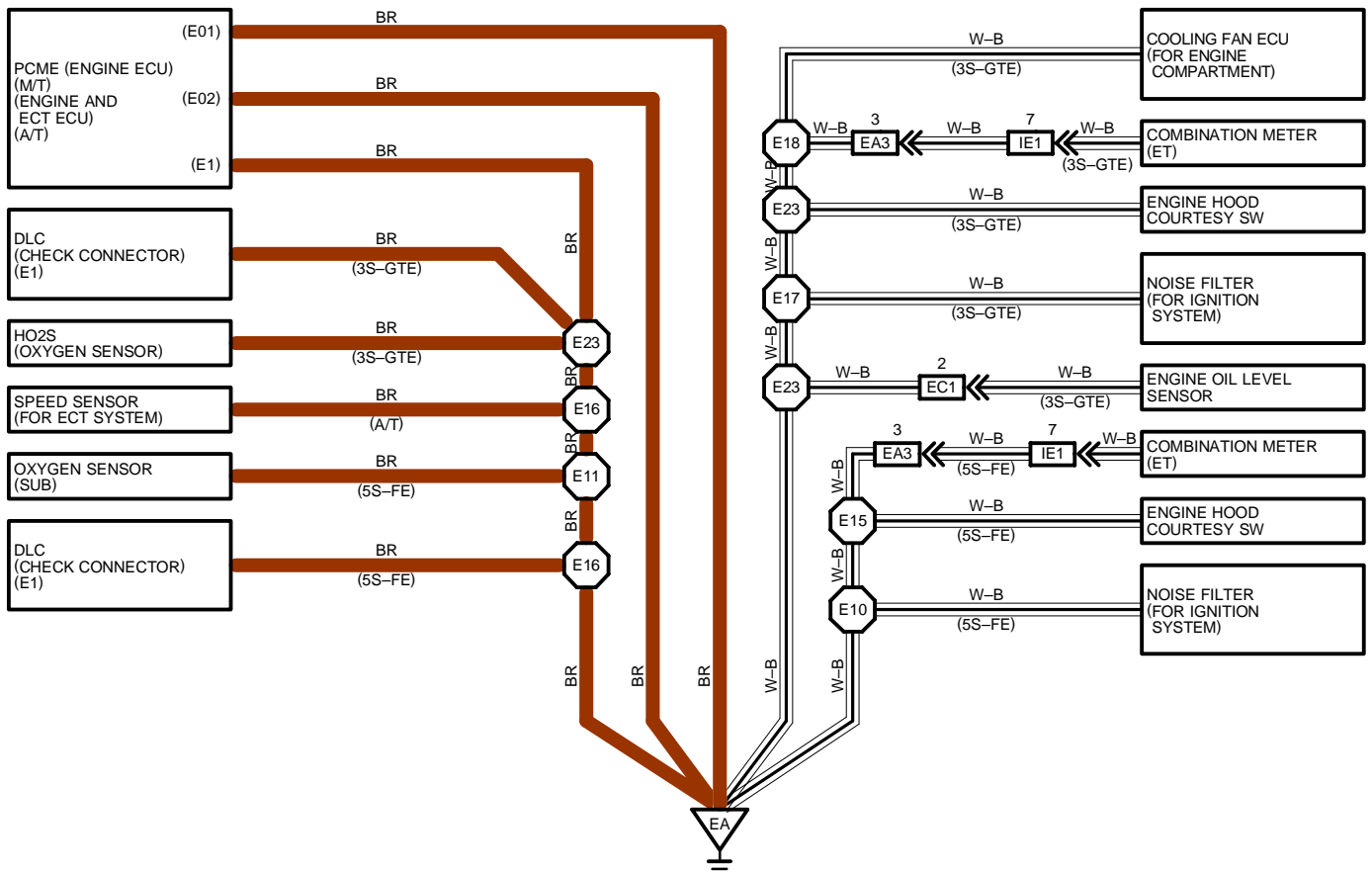


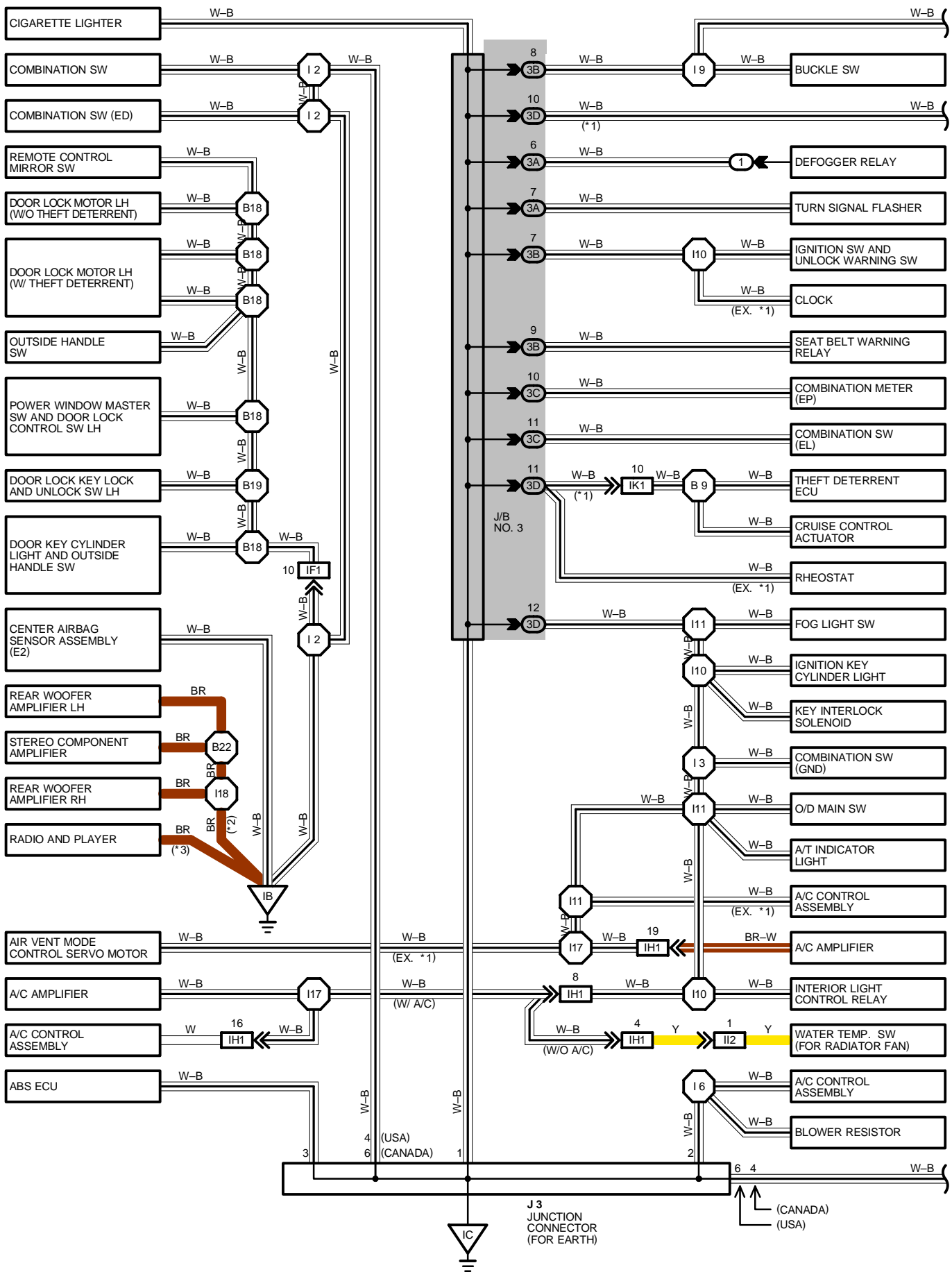
GROUND POINT

*1 : W/ EHPS, W/ FOG LIGHT USA



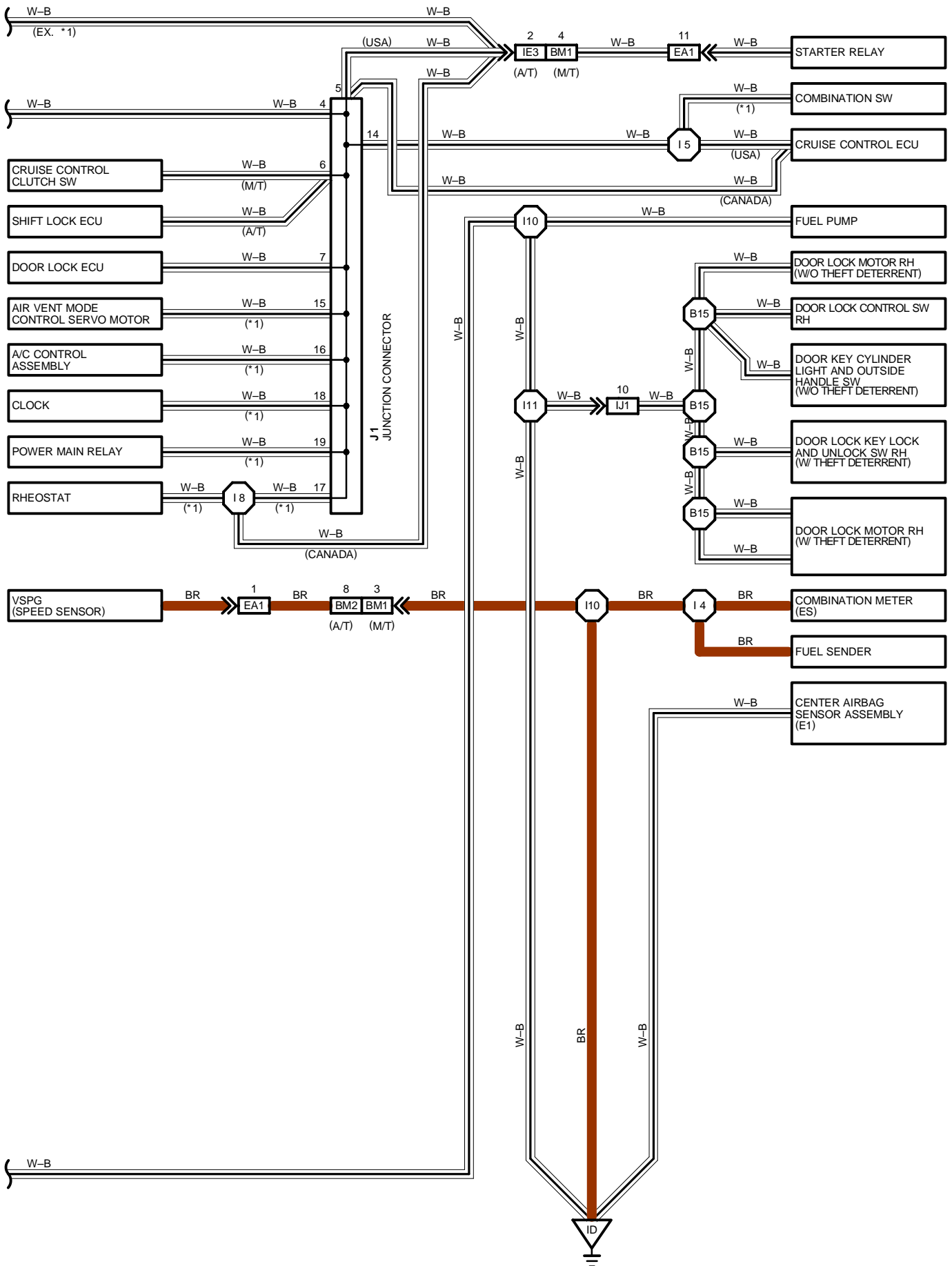


GROUND POINT



*1 : (1) CANADA
 (2) USA (A/T)
 (3) USA (M/T) WITH ABS, CRUISE CONTROL, POWER WINDOW OR WOOFER SPEAKER

*2 : W/ WOOFER SPEAKER
 *3 : W/O WOOFER SPEAKER



GROUND POINT

: PARTS LOCATION

| CODE | SEE PAGE | CODE | SEE PAGE | CODE | SEE PAGE |
|------|----------|------|----------|------|----------|
| J 1 | 26 | J 3 | 26 | | |

: RELAY BLOCKS

| CODE | SEE PAGE | RELAY BLOCKS (RELAY BLOCK LOCATION) |
|------|----------|---|
| 1 | 20 | R/B NO. 1 (LEFT KICK PANEL) |
| 2 | 21 | R/B NO. 2 (ENGINE COMPARTMENT LEFT) |
| 5 | 21 | R/B NO. 5 (FRONT LUGGAGE COMPARTMENT RIGHT) |

: JUNCTION BLOCK AND WIRE HARNESS CONNECTOR

| CODE | SEE PAGE | JUNCTION BLOCK AND WIRE HARNESS (CONNECTOR LOCATION) |
|------|----------|--|
| 3A | 22 | COWL WIRE AND J/B NO. 3 (BEHIND COMBINATION METER) |
| 3B | | |
| 3C | | |
| 3D | | |

: CONNECTOR JOINING WIRE HARNESS AND WIRE HARNESS

| CODE | SEE PAGE | JOINING WIRE HARNESS AND WIRE HARNESS (CONNECTOR LOCATION) |
|------|-------------|---|
| EA1 | 28 (5S-FE) | ENGINE WIRE AND ENGINE ROOM MAIN WIRE (REAR LUGGAGE COMPARTMENT LEFT) |
| | 30 (3S-GTE) | |
| EA3 | 28 (5S-FE) | ENGINE WIRE AND ENGINE ROOM MAIN WIRE (R/B NO. 2 INNER) |
| | 30 (3S-GTE) | |
| EC1 | 28 (3S-GTE) | ENGINE NO. 4 WIRE AND ENGINE WIRE (NEAR THE INTAKE MANIFOLD) |
| IE1 | 32 | ENGINE ROOM MAIN WIRE AND COWL WIRE (LEFT KICK PANEL) |
| IE3 | | |
| IF1 | 32 | COWL WIRE AND FRONT DOOR LH WIRE (LEFT KICK PANEL) |
| IH1 | 32 | COWL WIRE AND A/C SUB WIRE (INSTRUMENT PANEL RIGHT) |
| II2 | 34 | LUGGAGE ROOM WIRE AND COWL WIRE (RIGHT KICK PANEL) |
| IJ1 | 34 | COWL WIRE AND FRONT DOOR RH WIRE (RIGHT KICK PANEL) |
| IK1 | 34 | FLOOR WIRE AND COWL WIRE (RIGHT KICK PANEL) |
| BM1 | 36 | ENGINE ROOM MAIN WIRE AND COWL WIRE (ROOM PARTITION BOARD LEFT) |
| BM2 | | |
| BN1 | 36 | ROOF NO.3 WIRE AND ENGINE ROOM MAIN WIRE (ROOM PARTITION BOARD LEFT) |

: GROUND POINTS

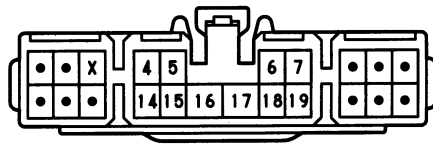
| CODE | SEE PAGE | GROUND POINTS LOCATION |
|------|-------------|------------------------------|
| EA | 28 (5S-FE) | INTAKE MANIFOLD |
| | 30 (3S-GTE) | |
| IB | 32 | LEFT KICK PANEL |
| IC | 32 | INSTRUMENT PANEL BRACE LH |
| ID | 32 | RIGHT KICK PANEL |
| BE | 36 | FRONT RIGHT FENDER |
| BF | 36 | FRONT LEFT FENDER |
| BG | 36 | UNDER THE LEFT CENTER PILLAR |
| BH | 36 | UNDER THE RIGHT REAR PILLAR |
| BI | 36 | BACK PANEL CENTER |



: SPLICE POINTS

| CODE | SEE PAGE | WIRE HARNESS WITH SPLICE POINTS | CODE | SEE PAGE | WIRE HARNESS WITH SPLICE POINTS |
|------|-------------|---------------------------------|-----------|----------|---------------------------------|
| E 7 | 28 (5S-FE) | ENGINE WIRE | B 2 | 36 | LUGGAGE ROOM WIRE |
| E10 | | | B 3 | | |
| E11 | | | B 4 | | |
| E15 | | | B 5 | | |
| E16 | | | B 6 | | |
| E17 | B 7 | | | | |
| E18 | 30 (3S-GTE) | | B 9 | | |
| E21 | | | B11 | 36 | LUGGAGE ROOM WIRE |
| E23 | | | B12 | | |
| I 2 | 34 | | COWL WIRE | B13 | 36 |
| I 3 | | B15 | | | |
| I 4 | | B16 | | | |
| I 5 | | B18 | | | |
| I 6 | | B19 | | 36 | FRONT DOOR LH WIRE |
| I 8 | | B22 | | 36 | COWL WIRE |
| I 9 | | B23 | | 36 | ENGINE ROOM MAIN WIRE |
| I10 | | B25 | | | |
| I11 | | B26 | | | |
| I17 | | 34 | | | |
| I18 | 34 | COWL WIRE | B28 | | |

J 1



J 3

