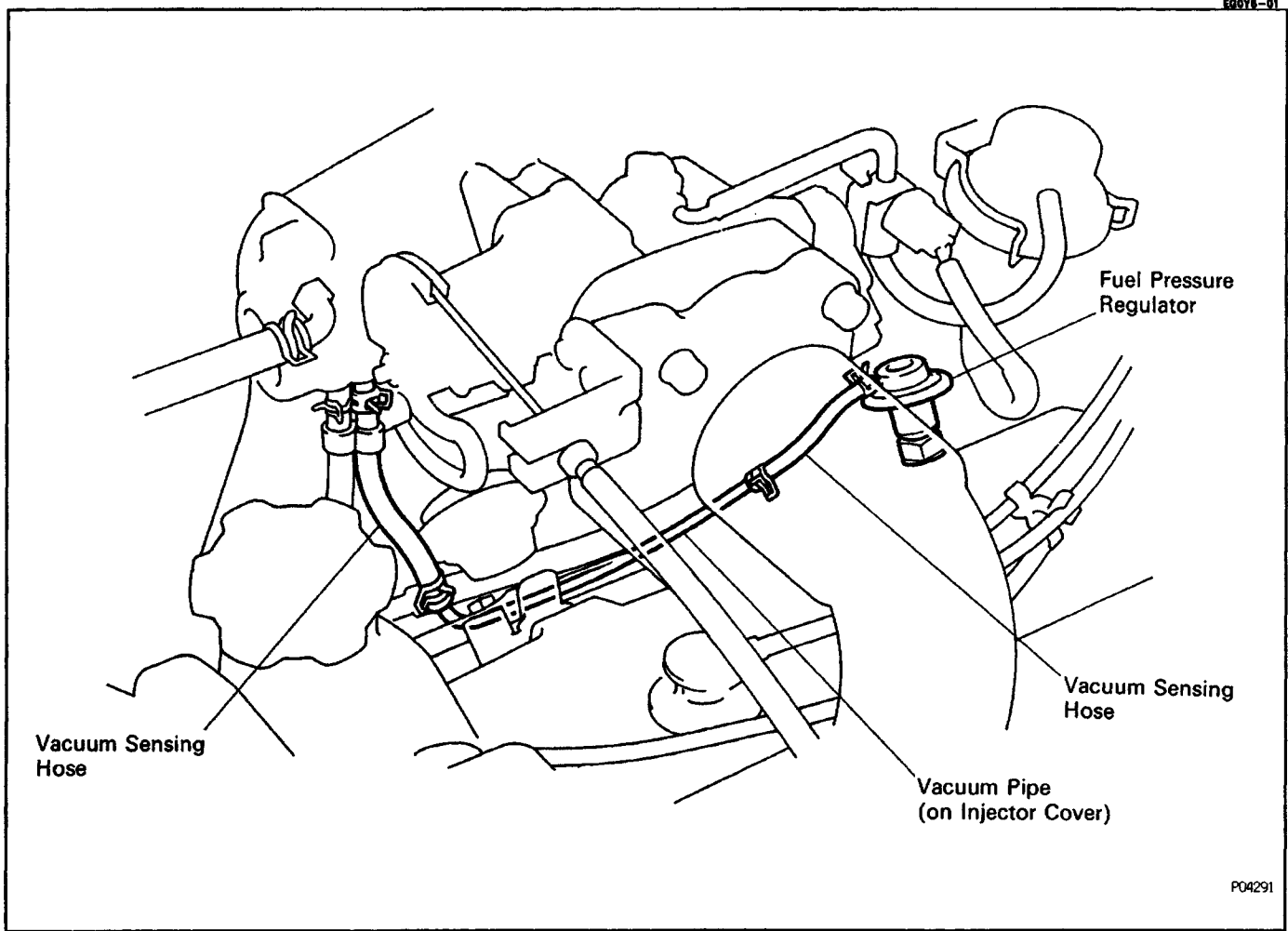


FUEL PRESSURE REGULATOR



ON-VEHICLE INSPECTION

INSPECT FUEL PRESSURE

(See On-Vehicle Inspection in Fuel Pump)

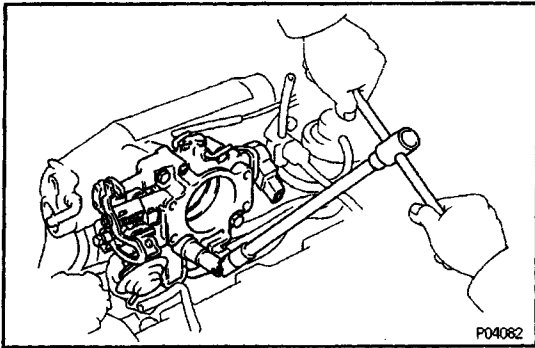
EG008-02

FUEL PRESSURE REGULATOR REMOVAL

(See Components for Removal and Installation)

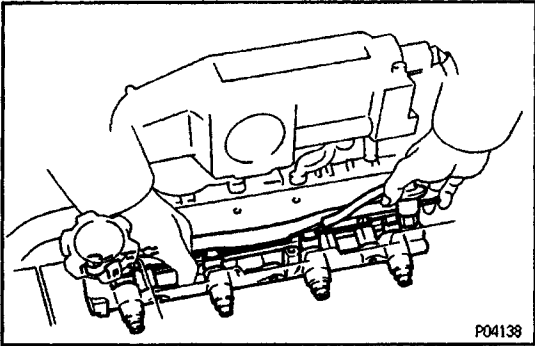
1. REMOVE THROTTLE BODY

(See Throttle Body Removal)



2. REMOVE DELIVERY PIPE ASSEMBLY

(See step 2 to 9 in Injectors Removal)

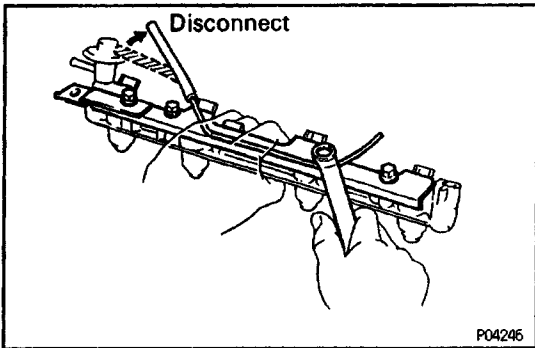


3. REMOVE INJECTOR COVER FROM DELIVERY PIPE

(a) Disconnect the vacuum sensing hose from the fuel pressure regulator.

(b) Remove the four bolts and injector cover.

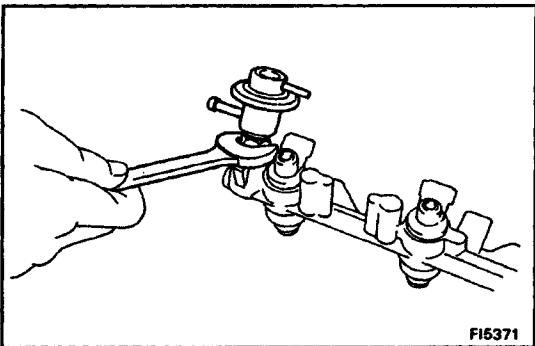
(c) Remove the four insulators from the injectors.

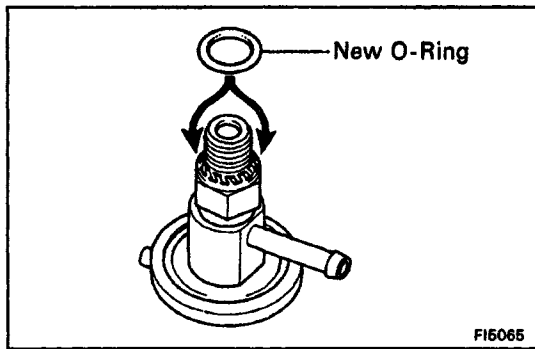


4. REMOVE FUEL PRESSURE REGULATOR

(a) Loosen the the lock nut, and remove the pressure regulator.

(b) Remove the O-ring from the pressure regulator.



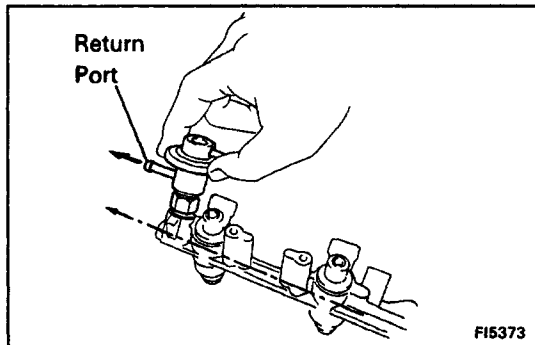


FUEL PRESSURE REGULATOR INSTALLATION

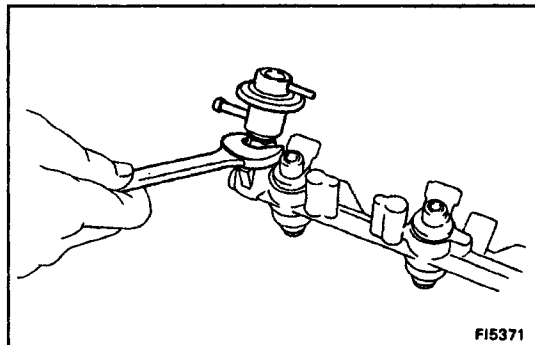
(See Components for Removal and Installation)

1. INSTALL FUEL PRESSURE REGULATOR

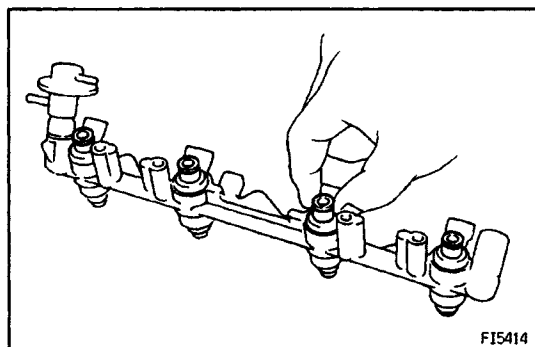
- (a) Fully loosen the lock nut on the pressure regulator.
- (b) Apply a light coat of gasoline to a new O-ring, and install it to the pressure regulator.



- (c) Completely thrust the pressure regulator into the delivery pipe by hand.
- (d) Turn the pressure regulator counterclockwise until the fuel return port faces in the direction indicated in the illustration.

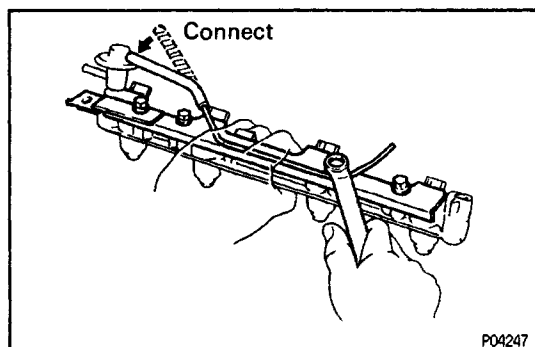


- (e) Tighten the lock nut.
Torque: 29 N-m (300 kgf-cm, 22 ft-lbf)

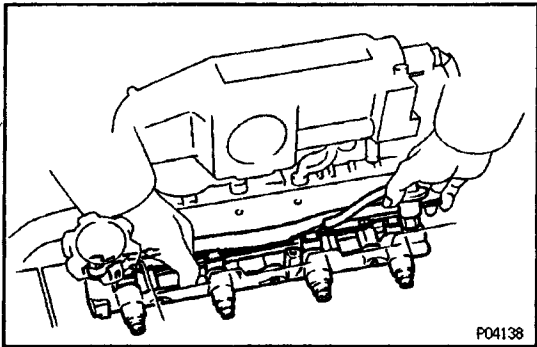


2. INSTALL INJECTOR COVER TO DELIVERY PIPE

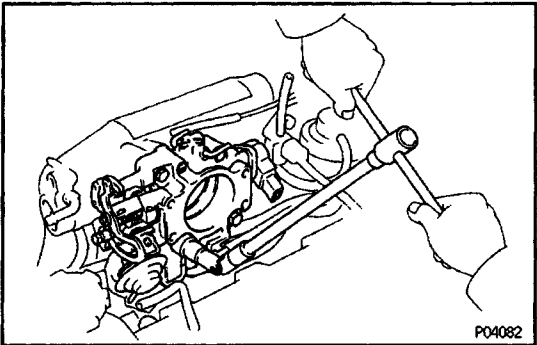
- (a) Install a new insulator to each injector.



- (b) Install the injector cover with the four bolts.
Torque: 7.8 N-m (80 kgf-cm, 69 in.-lbf)
- (c) Connect the vacuum sensing hose to the fuel pressure regulator.



3. INSTALL DELIVERY PIPE ASSEMBLY
(See steps 1 to 8 in Injector Installation)



4. INSTALL THROTTLE BODY
(See Throttle Body Installation)

5. START ENGINE AND CHECK FOR FUEL LEAKS