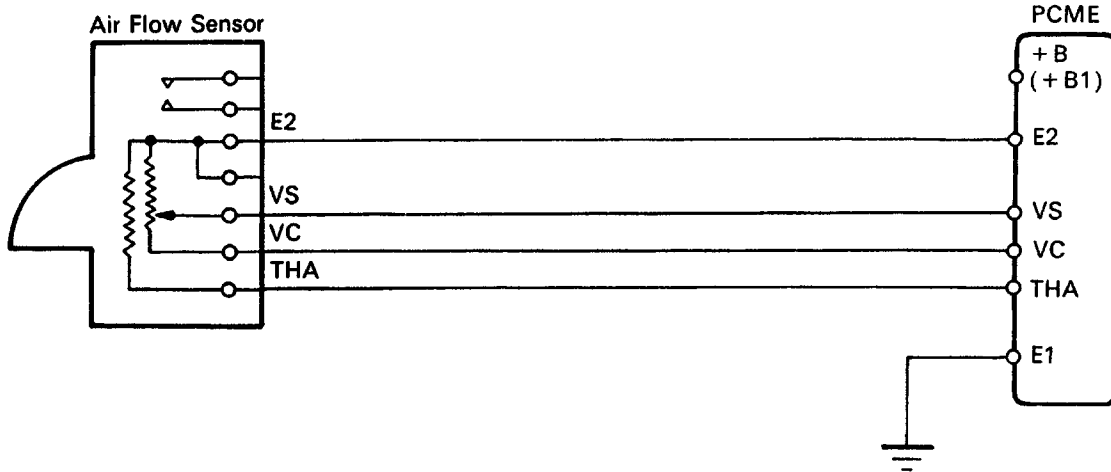
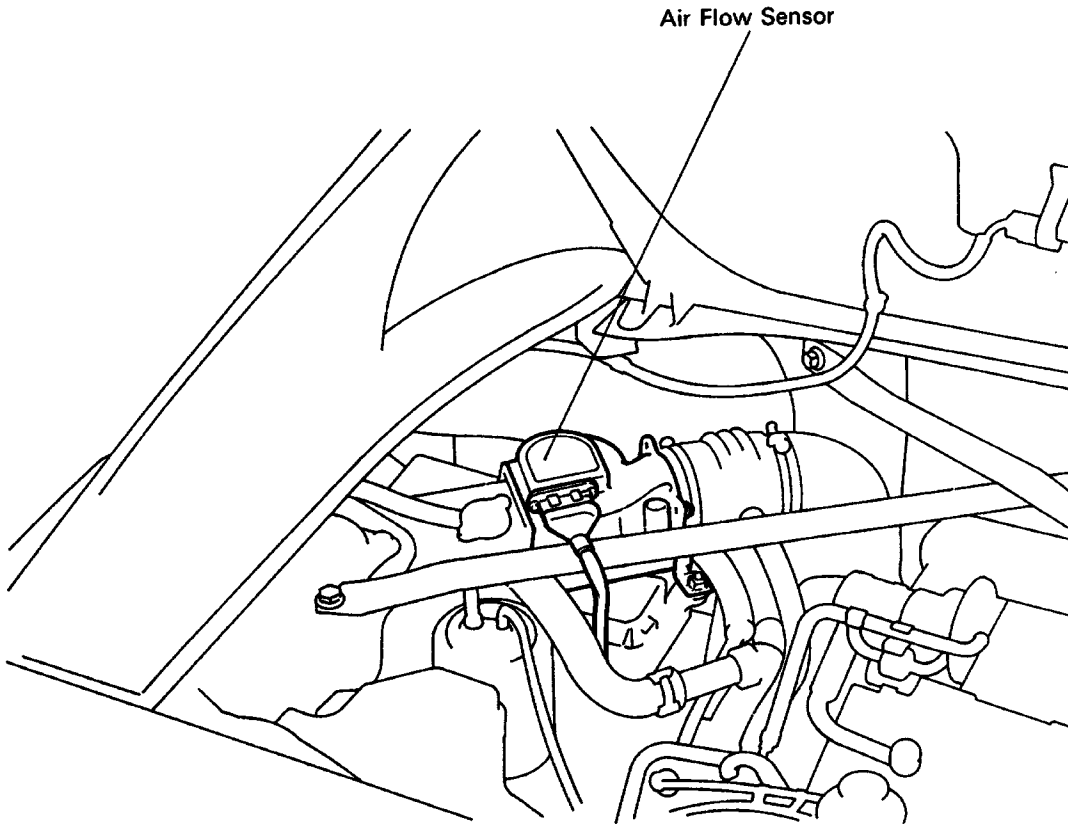
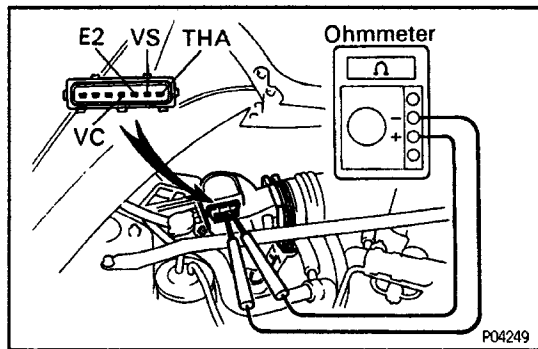


# AIR FLOW SENSOR

EG09-01





## ON-VEHICLE INSPECTION

### INSPECT RESISTANCE OF AIR FLOW SENSOR

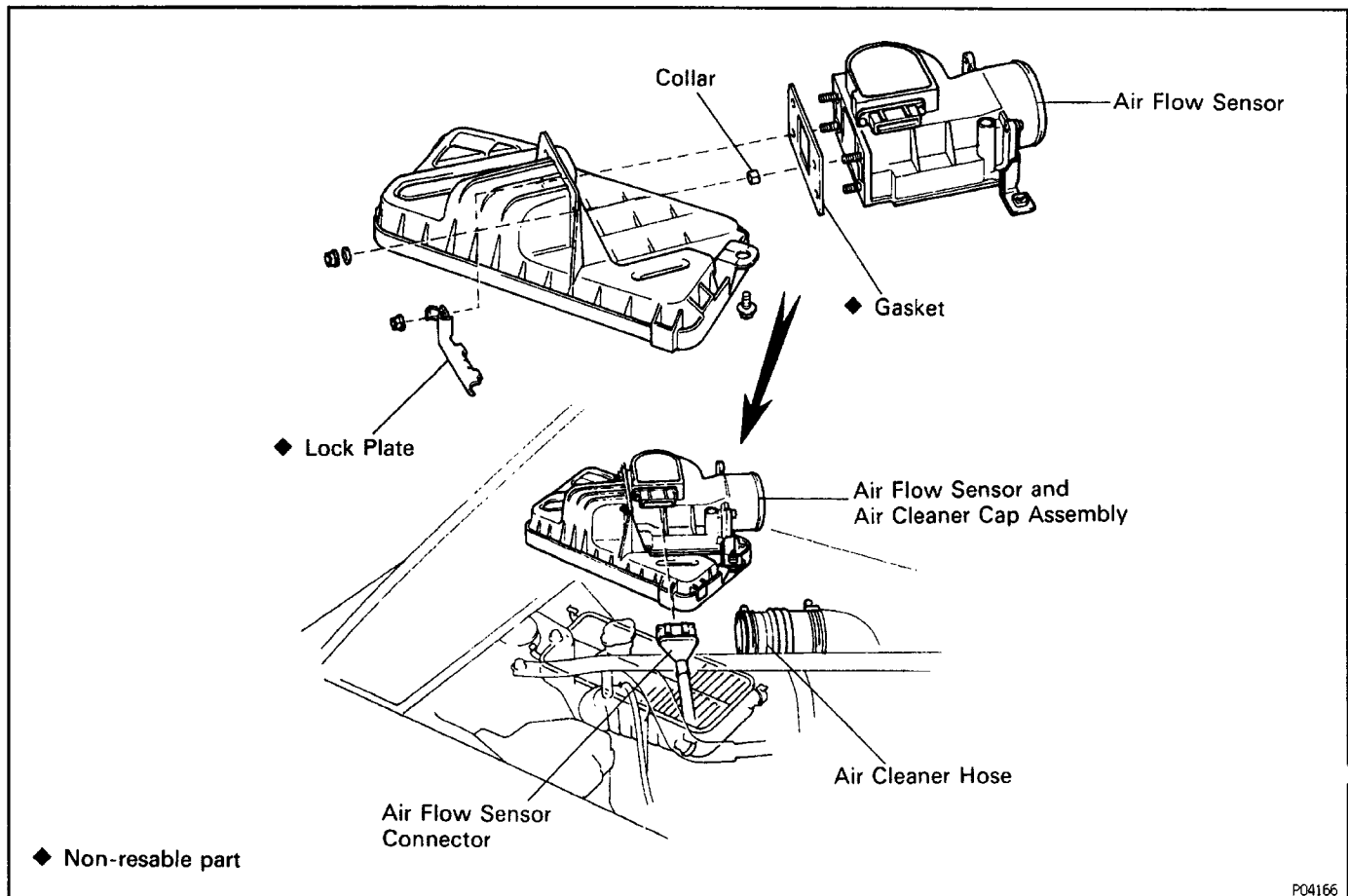
- Disconnect the air flow sensor connector.
- Using an ohmmeter, measure the resistance between each terminal.

Between terminals	Resistance	Temperature
VS -e2	200 - 6000	-
VC -E2	200 -4000	-
THA - E2	10-20k $\Omega$	-20°C (-4°F)
THA - E2	4-7 k $\Omega$	0°C (32°F)
THA - E2	2 - 3 k $\Omega$	20°C (68°F)
THA - E2	0.9 - 1.3 k $\Omega$	40°C (104°F)
THA - E2	0.4-0.7k0	60°C (140°F)

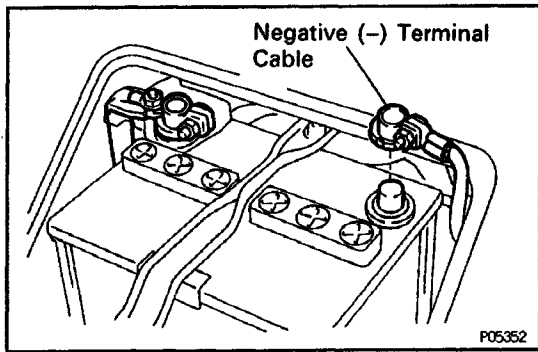
If the resistance is not as specified, replace the air flow sensor.

- Reconnect the air flow sensor connector.

## COMPONENTS FOR REMOVAL AND INSTALLATION



EG0YK-01

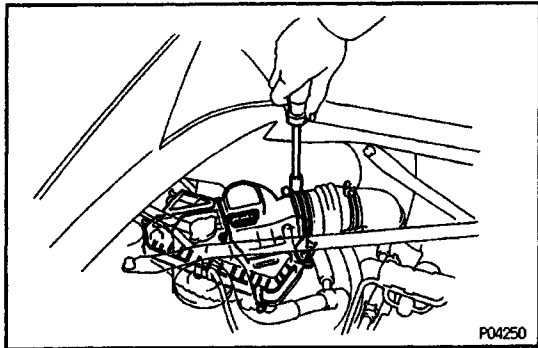


## AIR FLOW SENSOR REMOVAL

(See Components for Removal and Installation)

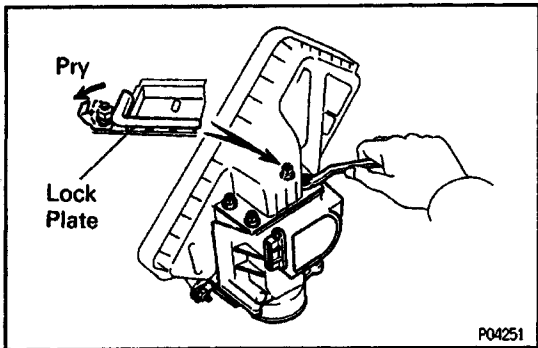
### 1. DISCONNECT CABLE FROM NEGATIVE TERMINAL OF BATTERY

**CAUTION:** Turn the ignition switch to 'LOCK'. Disconnect the negative terminal from the battery. Wait at least 20 seconds before proceeding with work.



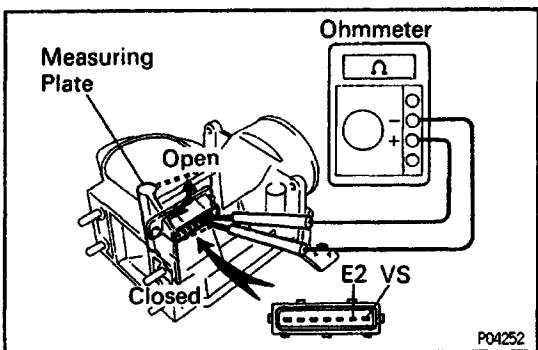
### 2. DISCONNECT AIR FLOW SENSOR CONNECTOR 3. REMOVE AIR CLEANER CAP AND AIR FLOW SENSOR ASSEMBLY

- Disconnect the air cleaner hose from the air flow sensor.
- Disconnect the four clamps, and remove the air cleaner cap and air flow sensor assembly.



### 3. REMOVE AIR FLOW SENSOR FROM AIR CLEANER CAP

- Remove the bolt holding the bracket to air cleaner cap.
- Pry off the lock plate.
- Remove the four nuts, three plate washers and lock plate.
- Remove the air flow sensor, gasket and four collar.



## AIR FLOW SENSOR INSPECTION

### INSPECT AIR FLOW SENSOR

Using an ohmmeter, measure the resistance between terminals VS and E2 by moving the measuring plate.

**Resistance:**

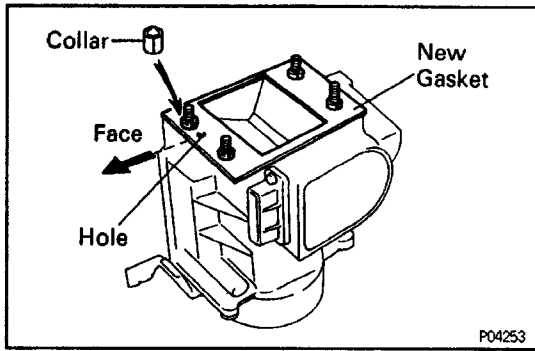
**200 – 600Ω at fully closed**

**20 – 1,200Ω at fully open**

**HINT:** Resistance will change in a wave pattern as the measuring plate slowly opens.

If the resistance is not as specified, replace the air flow sensor.

EG0H2-02

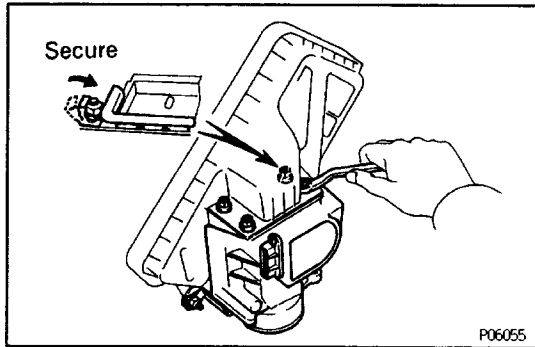


## AIR FLOW SENSOR INSTALLATION

(See Components for Removal and Installation)

### 1. INSTALL AIR FLOW SENSOR TO AIR CLEANER CAP

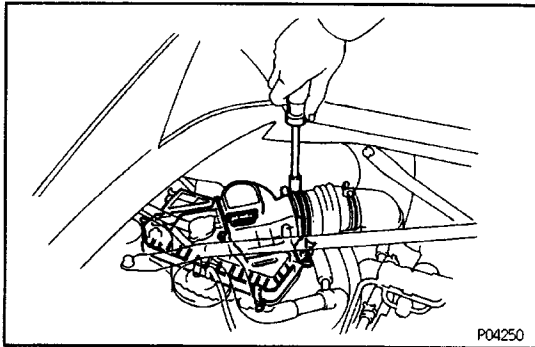
(a) Place a new gasket and the four collars on the air flow sensor.



(b) Install the air flow sensor with the lock plate, three plate washers and four nuts.

(c) Secure the nut with the lock plate.

(d) Install the bolt holding the bracket and air cleaner cap.



### 2. INSTALL AIR CLEANER CAP AND AIR FLOW SENSOR ASSEMBLY

(a) Install the air cleaner cap to the air cleaner case with the four clips.

(b) Connect the air cleaner hose to the air flow sensor.

### 3. CONNECT AIR FLOW SENSOR CONNECTOR

### 4. CONNECT CABLE TO NEGATIVE TERMINAL OF BATTERY