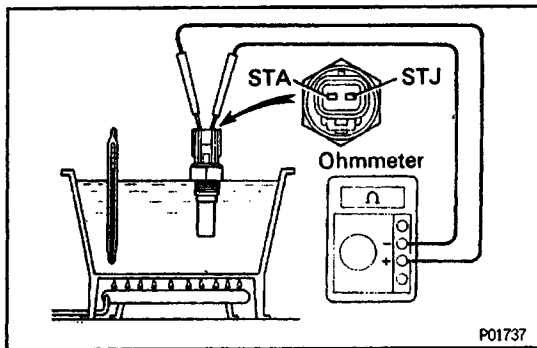
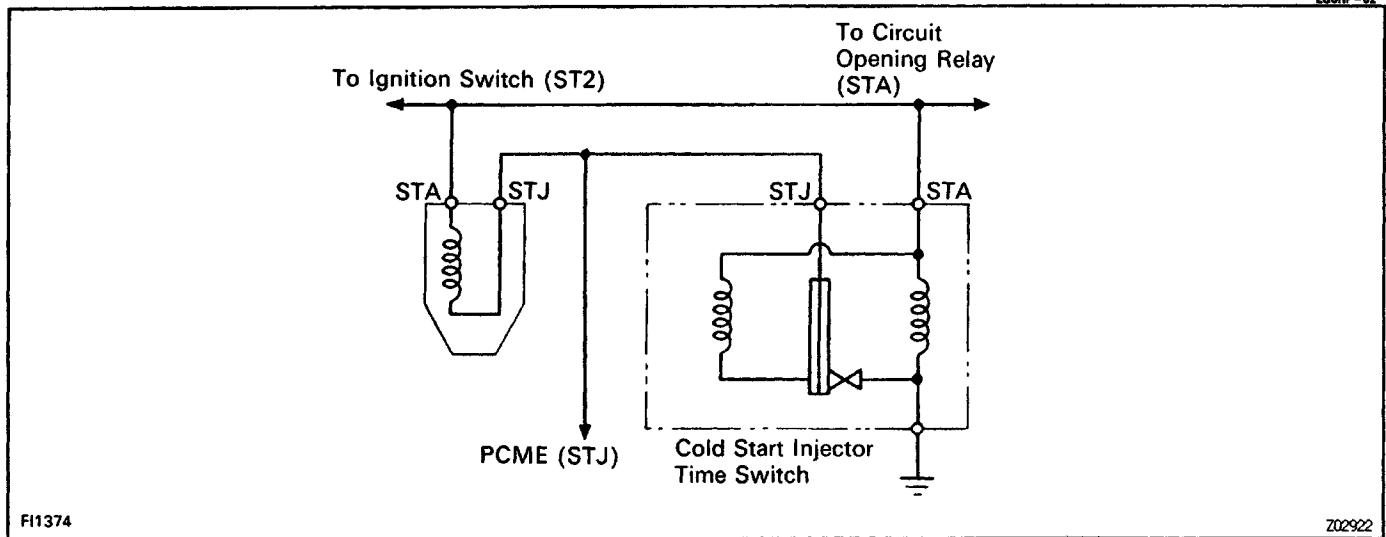


# COLD START INJECTOR TIME SWITCH



## COLD START INJECTOR TIME SWITCH INSPECTION

1. REMOVE COLD START INJECTOR TIME SWITCH
2. INSPECT COLD START INJECTOR TIME SWITCH

Using an ohmmeter, measure the resistance between each terminal.

Resistance:

STA - STJ

30 - 50Ω below 15° C (59° F)

70 - 90Ω above 30° C (86° 9)

STA - Ground

30-90Ω

If the resistance is not as specified, replace the switch.

3. REINSTALL COLD START INJECTOR TIME SWITCH