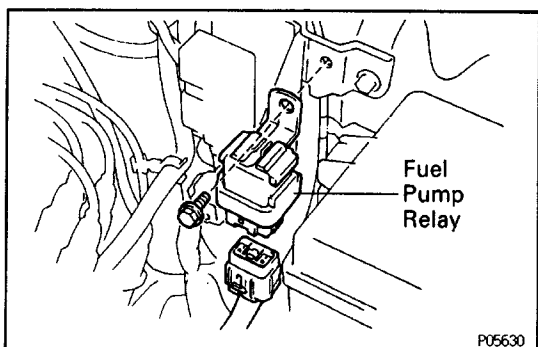
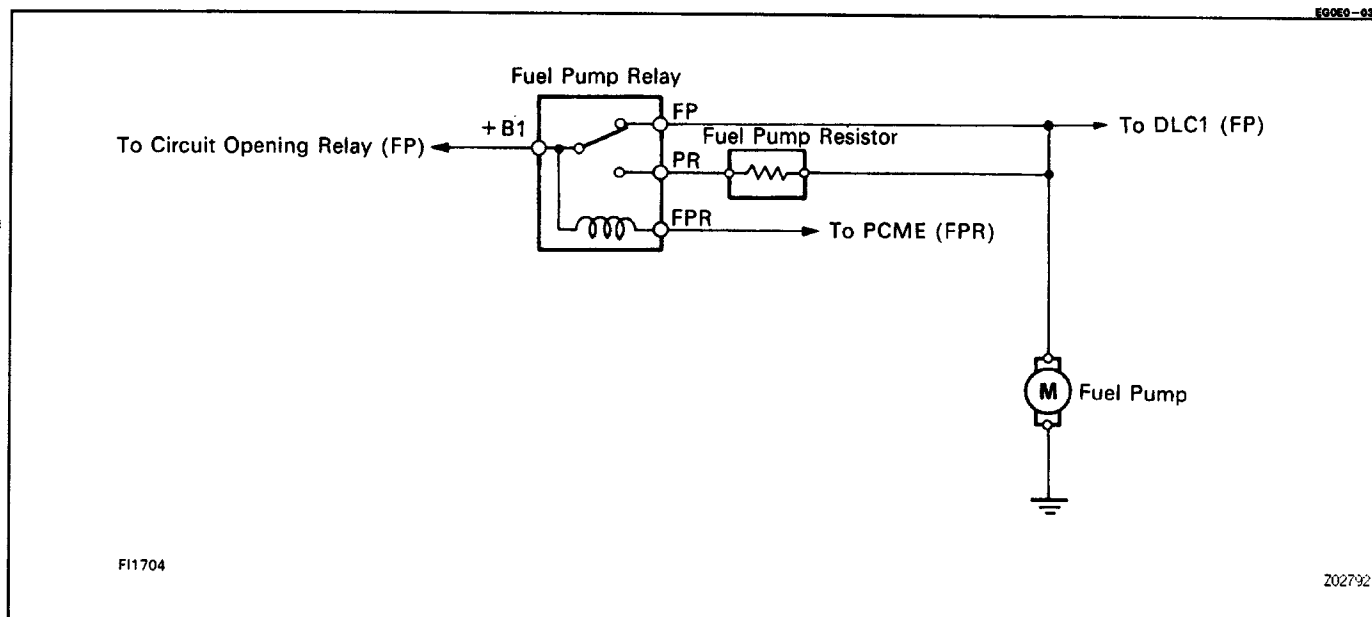


FUEL PUMP RELAY AND RESISTOR

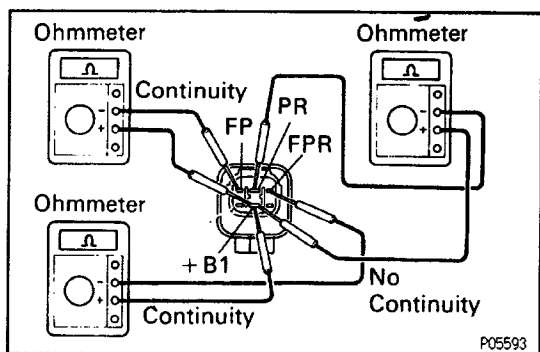


FUEL PUMP RELAY INSPECTION

EG0E1-02

1. REMOVE FUEL PUMP RELAY

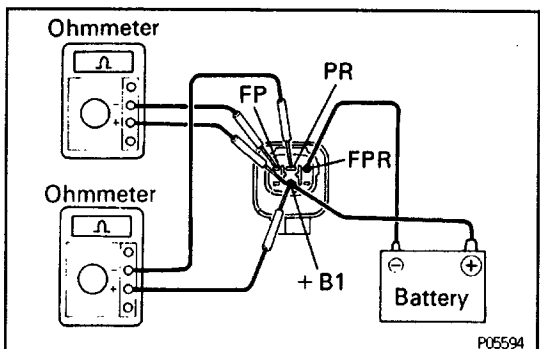
- (a) Disconnect the fuel pump relay connector.
- (b) Remove the bolt and fuel pump relay.



2. INSPECT FUEL PUMP RELAY

A. Inspect relay continuity

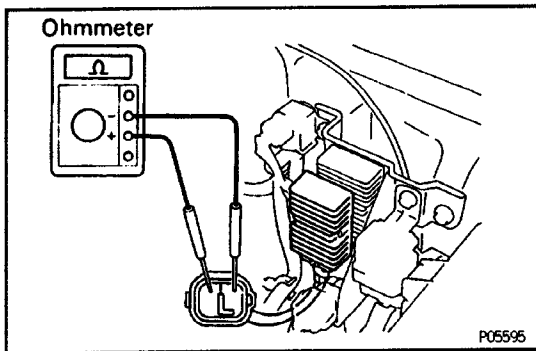
- (a) Using an ohmmeter, check that there is continuity between terminals +1311 and FPR.
 - (b) Check that there is continuity between terminals +B1 and FP.
 - (c) Check that there is no continuity between terminals +131 and PR.
- (f continuity is not as specified, replace the relay.)



B. Inspect relay operation

- (a) Apply battery voltage across terminals +B1 and FPR.
 - (b) Using an ohmmeter, check that there is no continuity between the +131 and FP.
 - (c) Check that there is continuity between terminals +B1 and PR.
- If operation is not as specified, replace the relay.

3. REINSTALL FUEL PUMP RELAY



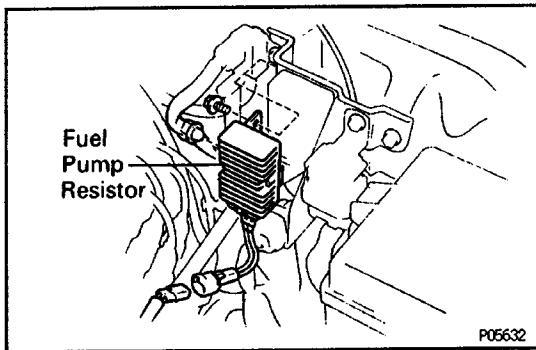
FUEL PUMP RESISTOR INSPECTION

1. DISCONNECT FUEL PUMP RESISTOR CONNECTOR
2. INSPECT FUEL PUMP RESISTOR

Using an ohmmeter, measure the resistance between the terminal.

Resistance (Cold):

Approx. 0.73 Ω



If the resistance is not as specified, replace the resistor.

3. RECONNECT FUEL PUMP RESISTOR CONNECTOR