

WHEEL ALIGNMENT

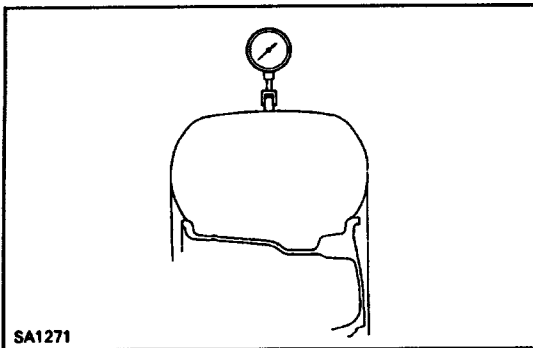
PRIMARY INSPECTION

1. MAKE FOLLOWING CHECKS AND CORRECT ANY PROBLEMS

- (a) Check the tires for wear, size and proper inflation pressure.

Cold tire inflation pressure:

Tire size	Front	Rear
195/55R 15 83V	200 kPa (2.0 kgf/cm ² , 26 psi)	–
225/50R15 91V	–	230 kPa (2,3 kgf/cm ² , 33 psi)

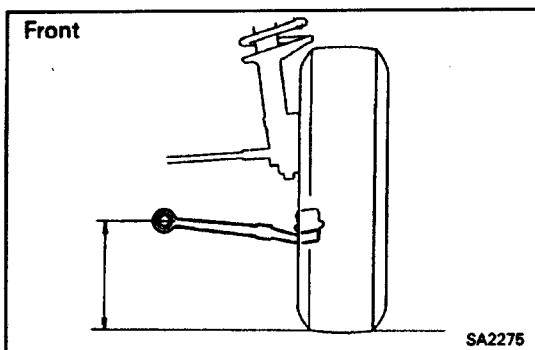


- (b) Check the wheel runout.

lateral runout:

Less than 1.4 mm (0.055 in.)

- (c) Check the wheel bearings for looseness.
 (d) Check the suspension for looseness.
 (e) Check the steering linkage for looseness.
 (f) Check the ball joint for excessive looseness.
 (g) Check that the shock absorber work properly by using the standard bounce test.



2. MEASURE VEHICLE HEIGHT

Vehicle height:

Front 216.5 mm (8.524 in.)

Rear 193.4 mm (7.614 in.)

HINT:

- Measuring point
 Front—Measure from the ground to the center of the lower suspension arm mounting bolt.
 Rear—Measure from the ground to the center of the body side Rear suspension No.1 mounting.
- Before inspecting the wheel alignment, adjust the chassis ground clearance to specification.
 If the clearance of the vehicle is not standard, try to adjust it by pushing down in the body or by lifting the body. If still not correct, check for bad springs or suspension parts.

