

BODY DIMENSIONS

GENERAL INFORMATION

BO036-01

1. BASIC DIMENSIONS

- (a) There are two types of dimensions in the diagram. (Three-dimensional distance)
 - Straight-line distance between the centers of two measuring points.

(Two-dimensional distance)

- Horizontal distance in forward / rearward between the centers of two measuring points.
- The height from imaginary standard line.
- (b) In cases in which only one dimension is given, left and right are symmetrical.
- (c) The dimensions in the following drawing indicate actual distance. Therefore, please use the dimensions as a reference.

2. MEASURING

- (a) Basically, all measurements are to be done with a tracking gauge. For portions where it is not possible to use a tracking gauge, a tape measure should be used.
- (b) Use only a tracking gauge that has no looseness in the body, measuring plate, or pointers.

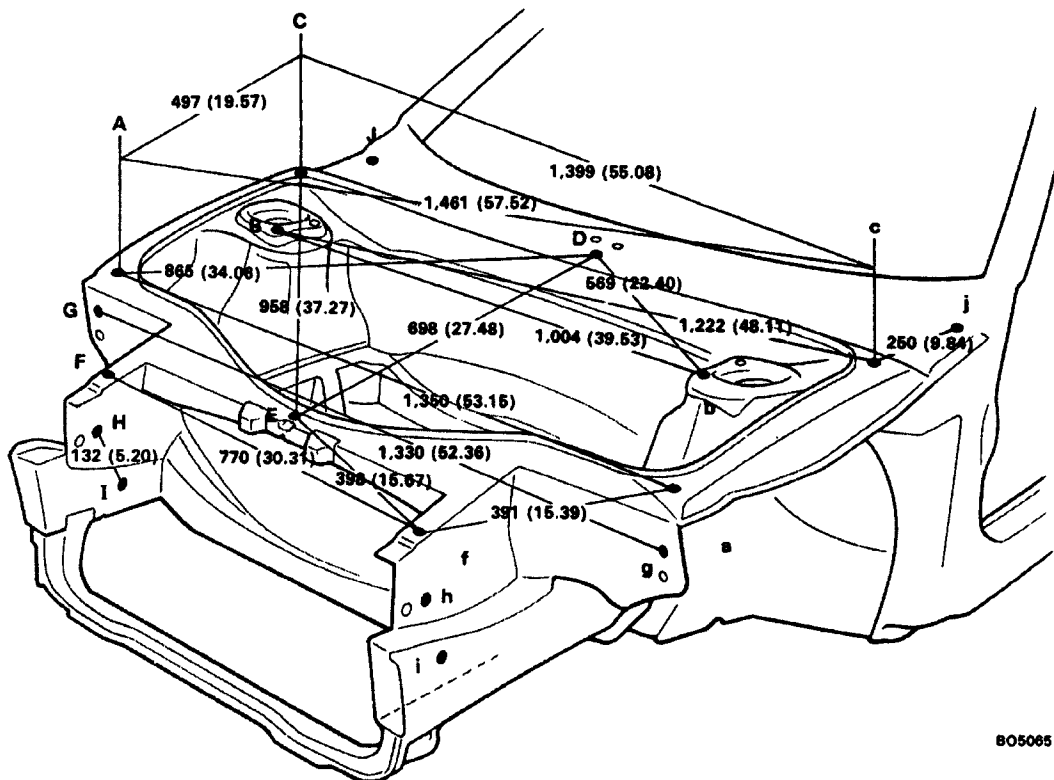
HINT:

1. The height of the left and right pointers must be equal.
 2. Always calibrate the tracking gauge before measuring or after adjusting the pointer height.
 3. Take care not to drop the tracking gauge or otherwise shock it.
 4. Confirm that the pointers are securely in the holes.
- (c) When using a tape measure, avoid twists and bends in the tape.
 - (d) When tracking a diagonal measurement from the front spring support inner hole to the suspension member upper rear installation hole, measure along the front spring support panel surface.

BODY DIMENSIONS

FRONT LUGGAGE COMPARTMENT

(Three-Dimensional Distance)

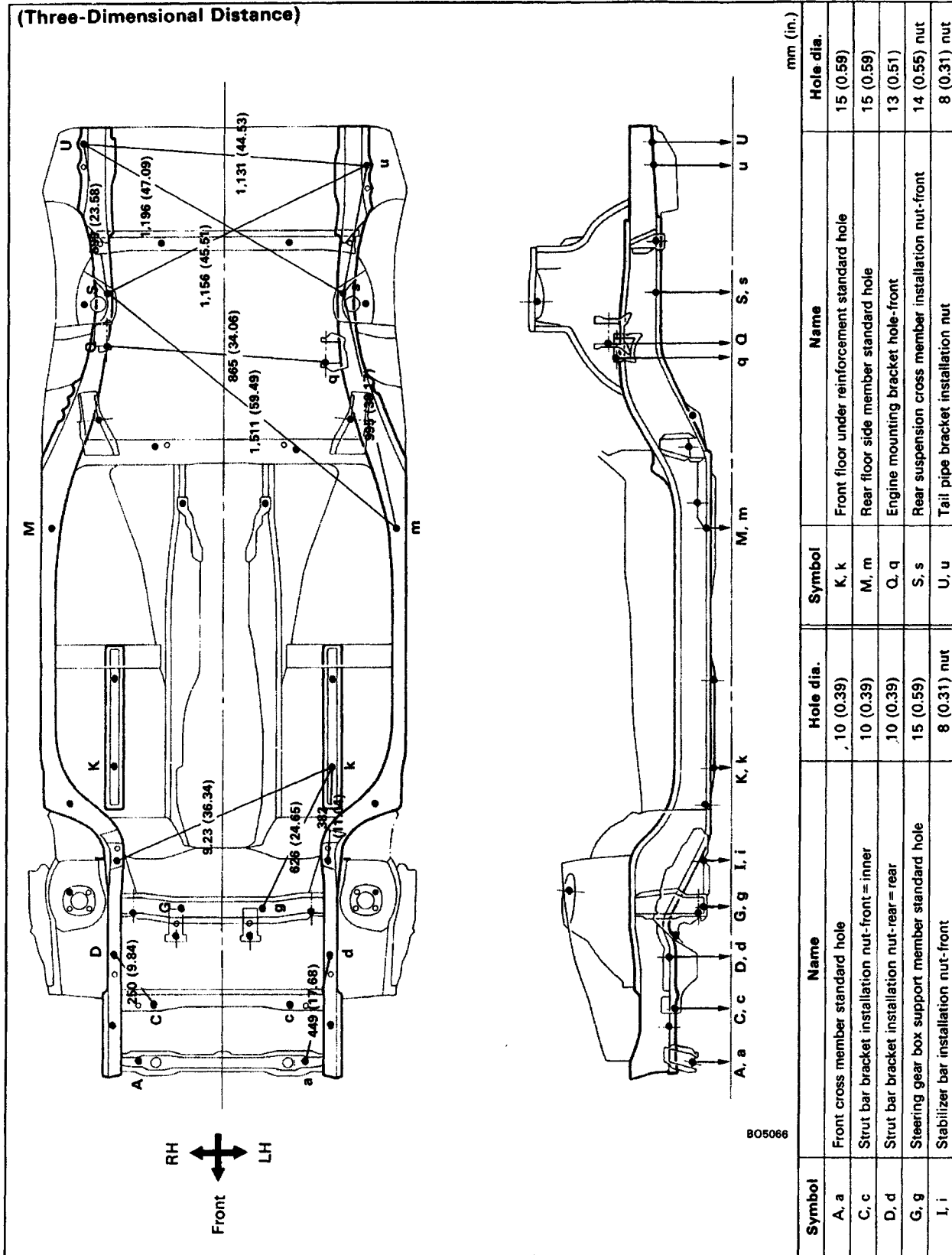


805065

mm(in.)

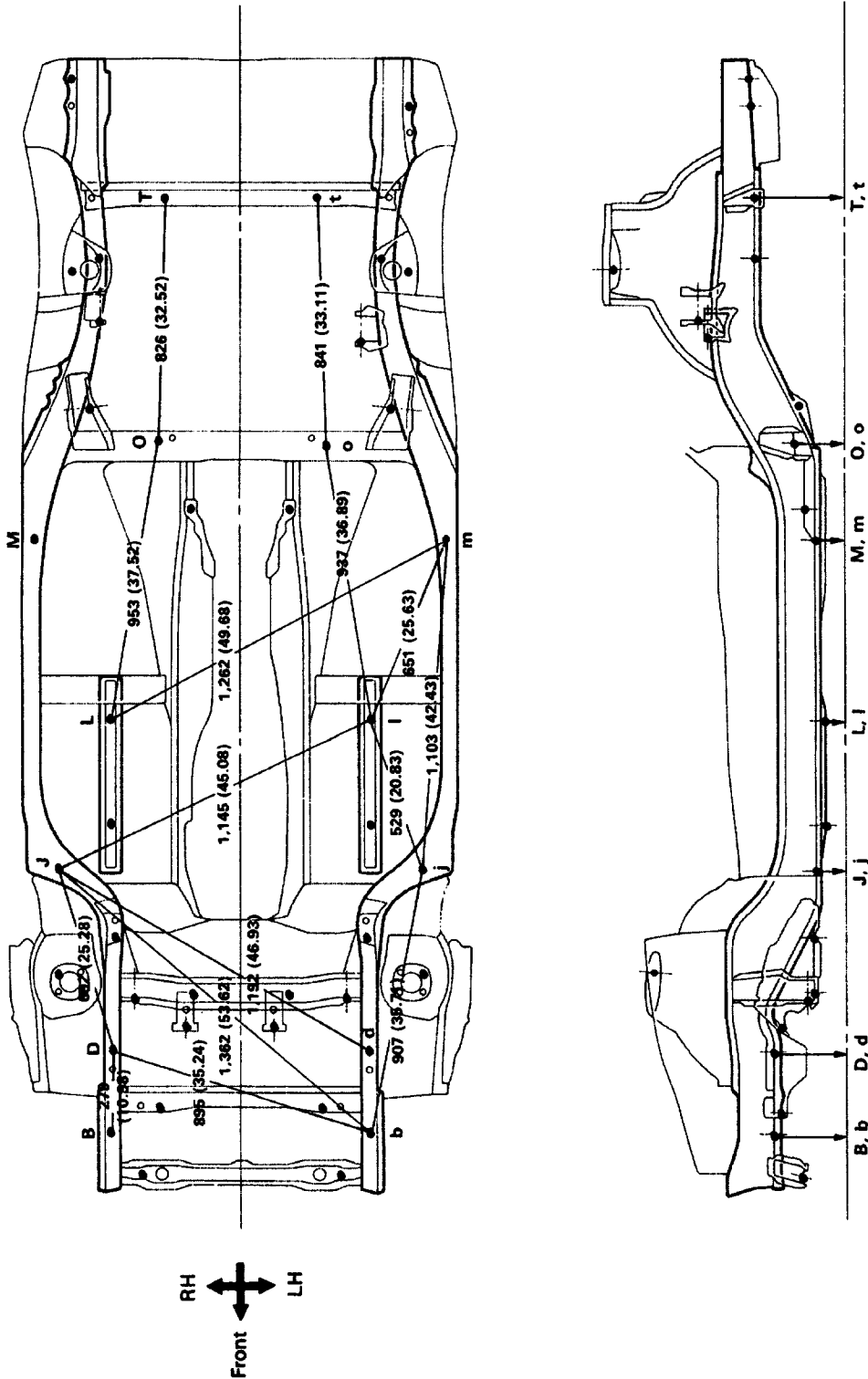
Symbol	Name	Hole dia.
A, a	Front fender installation nut - front	6 (0.24) nut
B, b	Front suspension brace installation nut	10 (0.39) nut
C, c	Front fender installation nut - rear	6 (0.24) nut
D	Wiper pivot installation hole (center)	7 (0.28)
E	Radiator upper seal installation hole (center)	7 (0.28)
F, f	Radiator upper seal installation hole	7 (0.28)
G, g	Front luggage end panel standard hole	10 (0.39)
H, h	Radiator support standard hole	10 (0.39)
I, i	Front side member standard hole	15 (0.59)
J, j	Hood hinge installation nut - rear	8 (0.31) nut

UNDER BODY



UNDER BODY(Con'd)

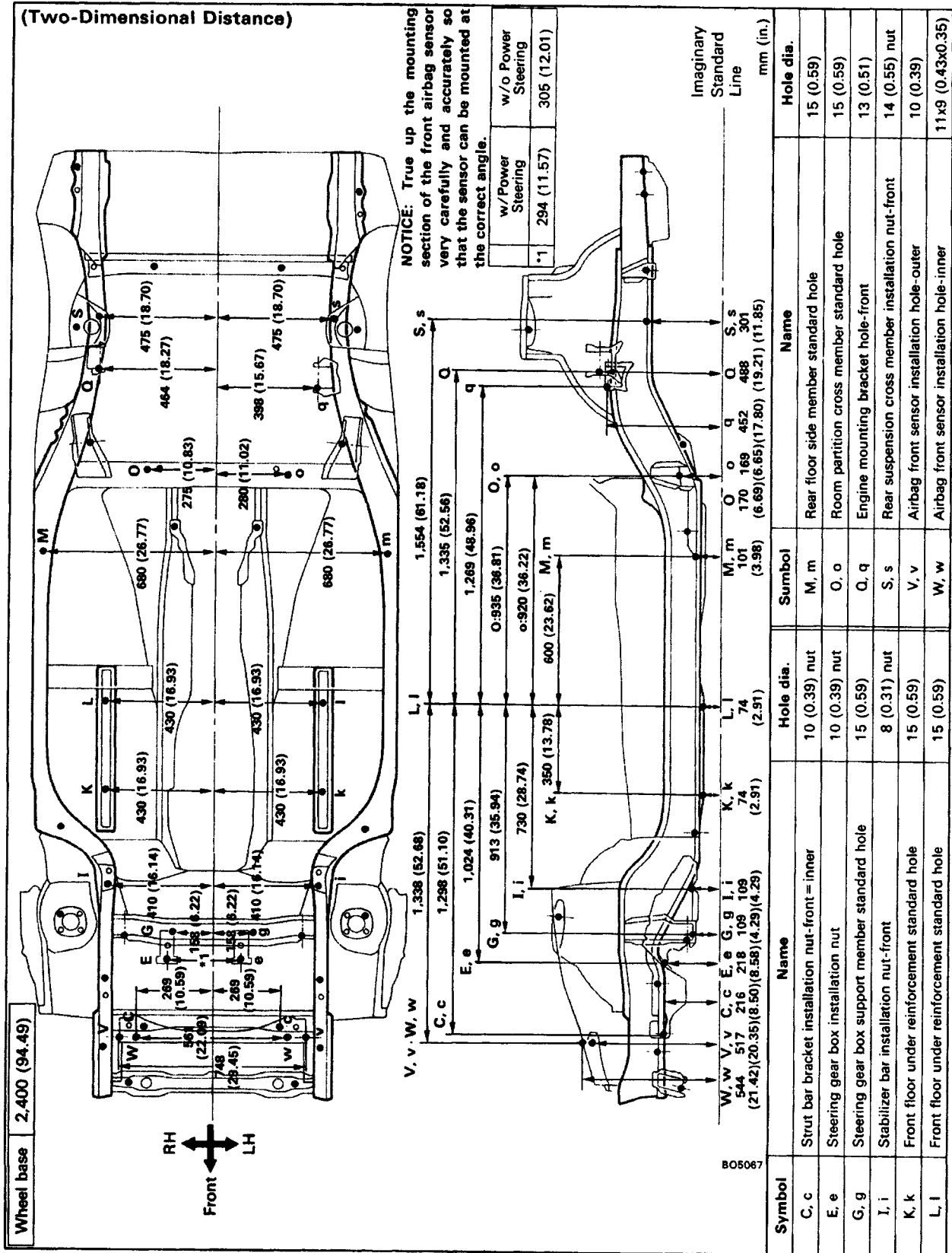
(Three-Dimensional Distance)



BO5066

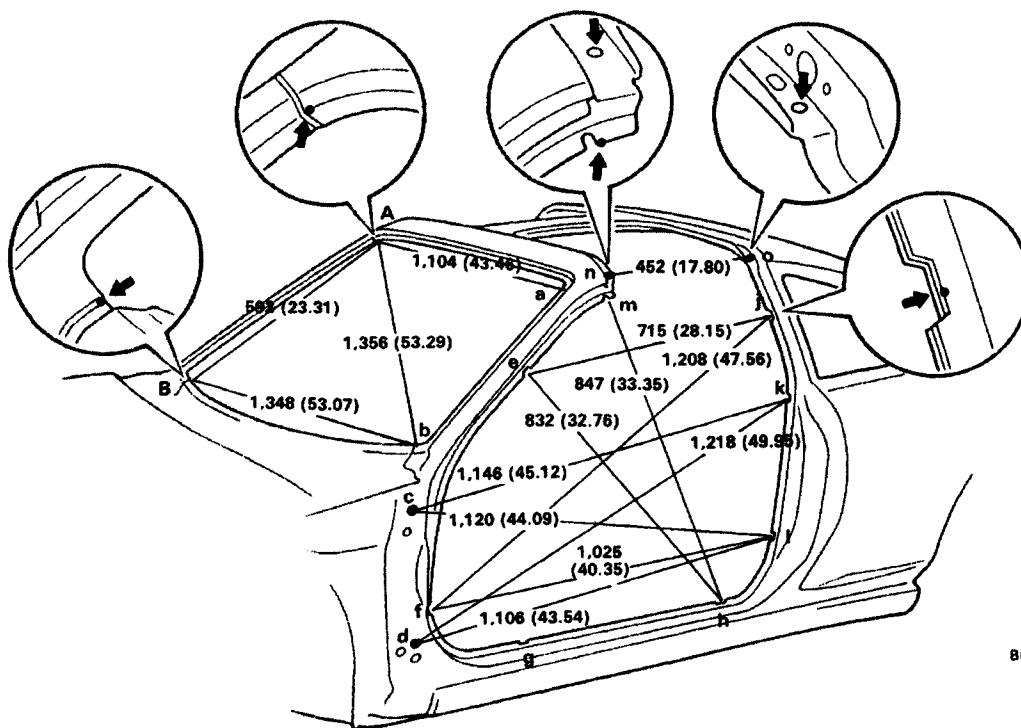
Symbol	Name	Hole dia.	Symbol	Name	Hole dia.
B, b	Front side member standard hole	15 (0.59)	M, m	Rear floor side member standard hole	15 (0.59)
D, d	Strut bar bracket installation nut-rear = rear	10 (0.39) nut	O, o	Room partition cross member standard hole	15 (0.59)
J, j	Front side member standard hole	15 (0.59)	T, t	Rear floor cross member standard hole	15 (0.59)
L, l	Front floor under reinforcement standard hole	15 (0.59)	-	-	-

UNDER BODY(Con'd)



BODY OPNING AREAS (Side View: w/T-Bar Roof)

(Three-Dimensional Distance)



805068

Vehicle Dimensions Left ↔ Right

E-e	F-f	G-g	H-h	J-j	K-k	L-l	M-m	N-n	O-o
1,253 (49.33)	1,402 (55.02)	1,444 (56.85)	1,444 (56.85)	1,233 (48.54)	1,378 (54.25)	1,412 (55.59)	1,101 (43.35)	1,039 (40.91)	1,065 (41.93)

HINT: For symbols, capital letters indicate right side of vehicle, small letters indicate left side of vehicle (Seen for rear).

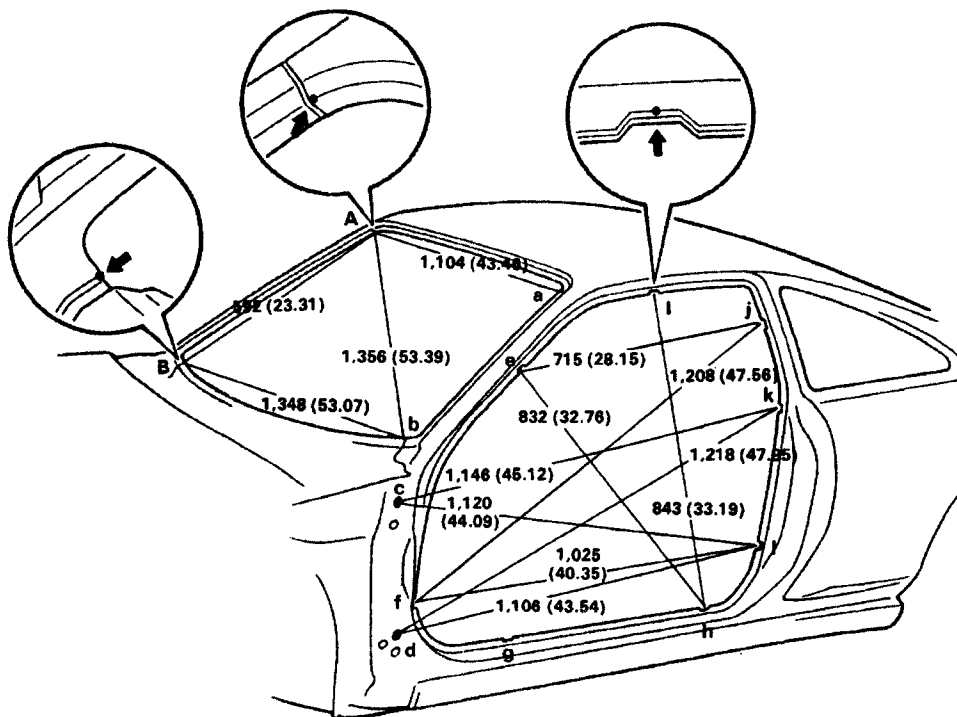
E-g or e-G	E-h or e-H	E-j or e-J	F-g or f-G	F-l or f-L	G-h or g-H	G-j or g-J	H-j or h-J	H-k or h-K	H-m or h-M	J-l or j-L	J-m	J-M	N-o or n-O
1,510 (59.45)	1,581 (62.24)	1,434 (56.46)	1,455 (57.28)	1,741 (68.54)	1,545 (60.83)	1,713 (67.44)	1,540 (60.63)	1,515 (59.65)	1,519 (59.80)	1,433 (56.42)	1,258 (49.53)	1,257 (49.49)	1,145 (45.08)

mm (in.)

Symbol	Name	Hole dia.
A, a	Roof panel/Front body pillar adjoining portion	-
B, b	Front body pillar/Cowl panel adjoining portion	-
C, c	Front door hinge installation nut	8 (0.31) nut
D, d	Front door hinge installation nut	8 (0.31) nut
E, e	Front body pillar assembly mark	-
F, f	Front body pillar assembly mark	-
G, g	Rocker panel assembly mark	-
H, h	Rocker panel assembly mark	-
J, j	Quarter panel assembly mark	-
K, k	Quarter panel assembly mark	-
L, l	Quarter panel assembly mark	-
M, m	Front body pillar cut-out portion	-
N, n	Removable roof weatherstrip installation hole	7 (0.28)
O, o	Removable roof weatherstrip installation hole	7 (0.28)

BODY OPNING AREAS (Side View: w/o T-Bar Roof)

(Three-Dimensional Distance)



805069

Vehicle Dimensions Left ↔ Right

E-e	F-f	G-g	H-h	I-i	J-j	K-k	L-l
1,253 (49.33)	1,402 (55.20)	1,444 (56.85)	1,444 (56.85)	1,078 (42.44)	1,233 (48.54)	1,378 (54.25)	1,412 (55.59)

HINT: For symbols, capital letters indicate right side of vehicle, small letters indicate left side of vehicle (See for rear).

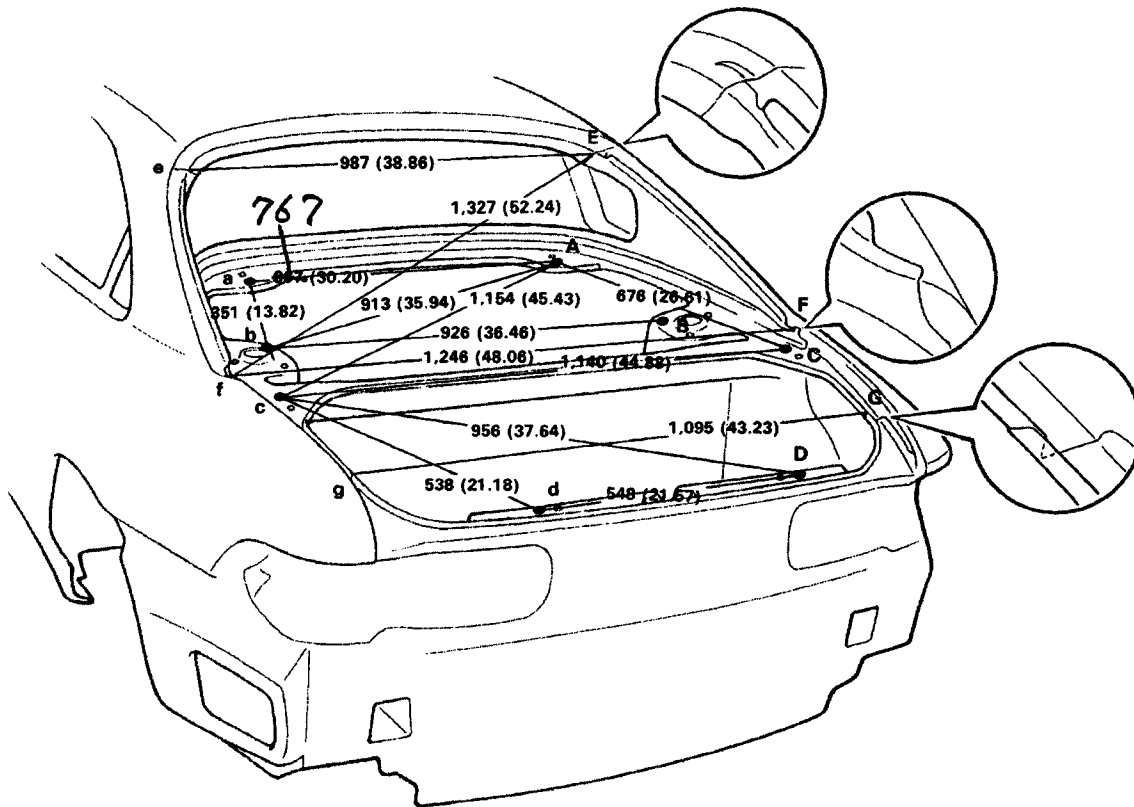
E-g or e-G	E-h or e-H	E-j or e-J	E-l or e-L	F-g or f-G	F-l or f-L	G-h or g-H	G-j or g-J	H-i or h-I	H-j or h-J	H-k or h-K	J-l or j-L
1,510 (59.45)	1,581 (62.24)	1,434 (56.46)	1,579 (62.17)	1,455 (57.28)	1,741 (68.54)	1,545 (60.83)	1,713 (67.44)	1,506 (59.29)	1,540 (60.23)	1,515 (59.65)	1,433 (56.42)

mm (in.)

Symbol	Name	Hole dia.
A, a	Roof panel/Front body pillar adjoining portion	-
B, b	Front body pillar/Cowl panel adjoining portion	-
C, c	Front door hinge installation nut	8 (0.31) nut
D, d	Front door hinge installation nut	8 (0.31) nut
E, e	Front body pillar assembly mark	-
F, f	Front body pillar assembly mark	-
G, g	Rocker panel assembly mark	-
H, h	Rocker panel assembly mark	-
I, i	Roof side rail assembly mark	-
J, j	Quarter panel assembly mark	-
K, k	Quarter panel assembly mark	-
L, l	Quarter panel assembly mark	-

BODY OPNING AREA(Rear View)

(Three-Dimensional Distance)



805070

mm (in.)

Symbol	Name	Hole dia.
A, a	Engine hood hinge installation hole-rear	12 (0.47)
B, b	Rear sping support hole-inner = front	11 (0.43)
C, c	Luggage door hinge installation hole-front	9 (0.35)
D, d	Luggage finish plate installation hole	8.5 (0.335)
E, e	Roof panel/Roof side panel adjoining portion	-
F, f	Roof side panel/Quarter panel adjoining portion	-
G, g	Luggage opening trough/Quarter panel adjoining portion	-