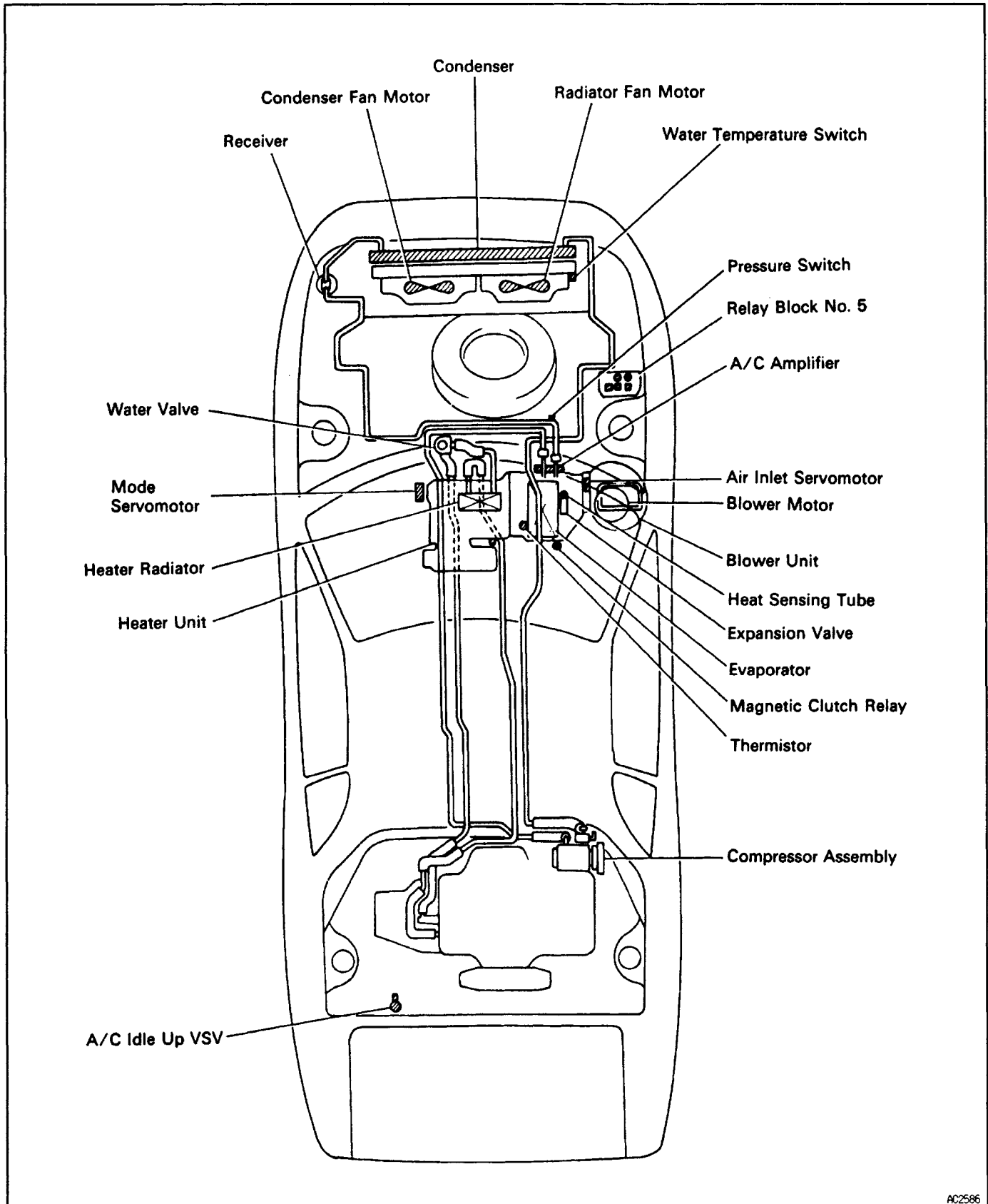


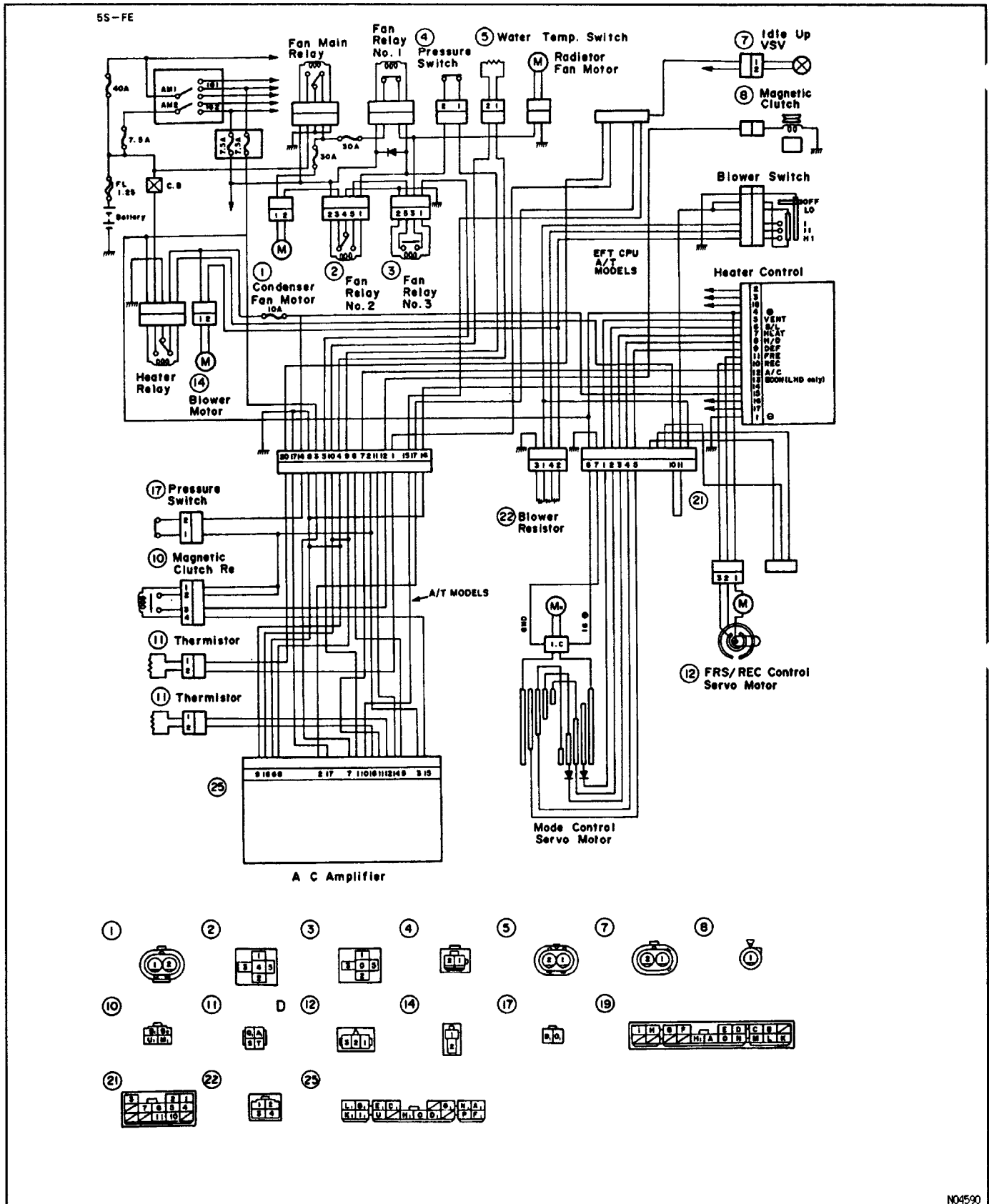
# DESCRIPTION

## PARTS LOCATION

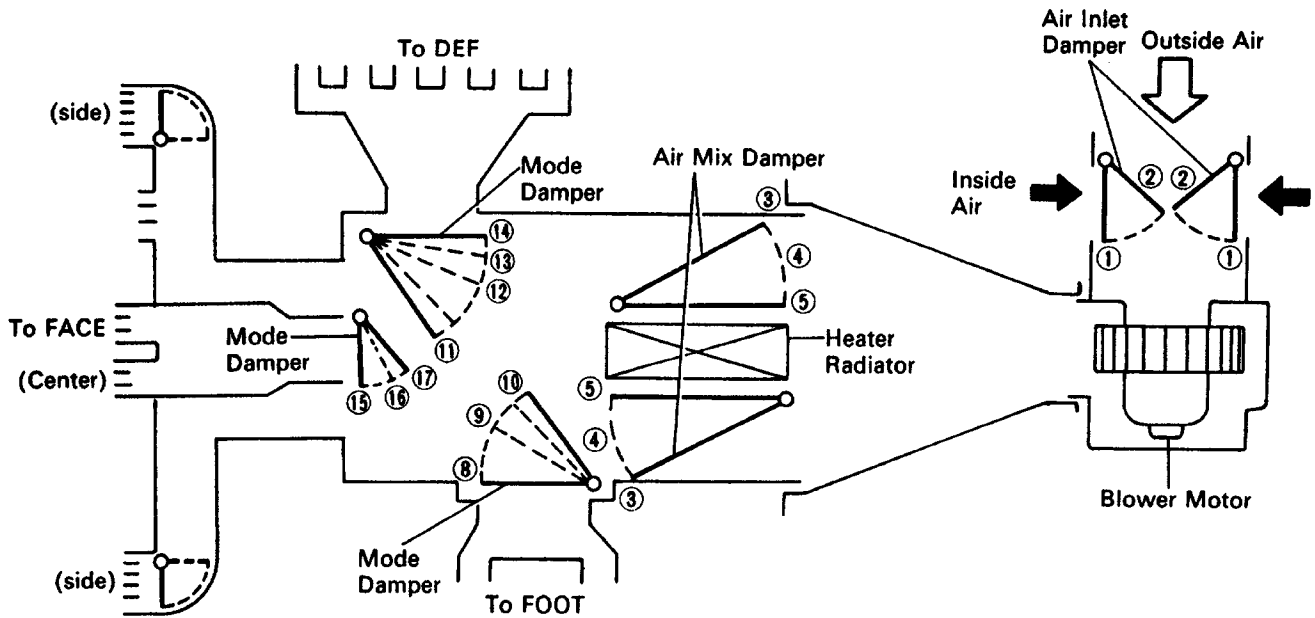
AC049-02







# DAMPERS POSITION



A/C control switch	A/C control lever position	Dampers position	Air flow vents			
			FACE		FOOT	DEF
			Center	Side		
Air Inlet Control Lever	Fresh	①	/	/	/	/
	Recirc	②				
Temperature Control Lever	Warm ↕ Cool	③ ↕ ④ ↕ ⑤	/	/	/	/
Mode Control Lever	Def.	⑧ ⑪ ⑮		○		○
	Foot/Def.	⑨ ⑫ ⑮		○	○	○
	Foot	⑩ ⑬ ⑮		○	○	○
	Bi-Level	⑨ ⑭ ⑯	○	○	○	
	Face	⑧ ⑭ ⑰	○	○		

The size of circle (○) indicates the proportion of the air flow volume.