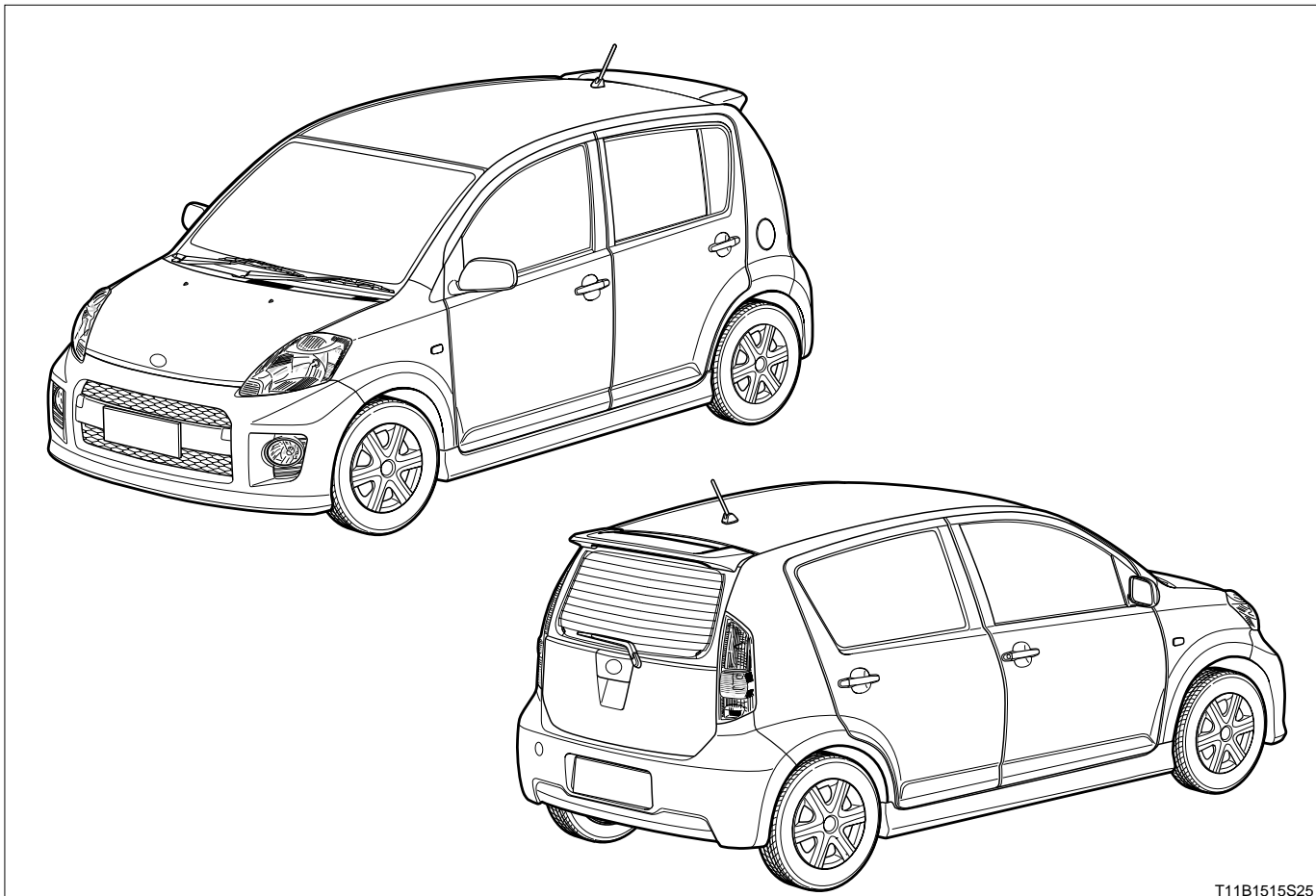


I2 EXTERIOR/INTERIOR

EXTERIOR-----	I2 - 1
OUTLINE -----	I2 - 1
CONSTRUCTION AND OPERATION -----	I2 - 2
BODY COLOR -----	I2 - 2
INTERIOR-----	I2 - 3
OUTLINE -----	I2 - 3
CONSTRUCTION AND OPERATION -----	I2 - 4
INSTRUMENT PANEL -----	I2 - 4
DOOR TRIM -----	I2 - 6
SEAT-----	I2 - 6
SEAT BELT-----	I2 - 10

EXTERIOR 1 OUTLINE

1. An impression of a big cabin is given with a new image featuring a very short nose and short overhang.
2. In addition to the short overhang, an overwhelming robustness and a feeling of realism are expressed by the flare shape having a feeling of oneness with the bumper, emphasizing the wide tread.
3. The aero specification vehicle in which a large-sized aero bumper, etc. is equipped has been provided.
4. Taking into consideration comfortable use of the rear seats and for easier entry/exit of passengers, the rear doors employ a door which opens as widely as approx. 80 degrees.



T11B1515S25

The illustration represents a major example.

2 CONSTRUCTION AND OPERATION

2-1 BODY COLOR

2-1-1 DESCRIPTION

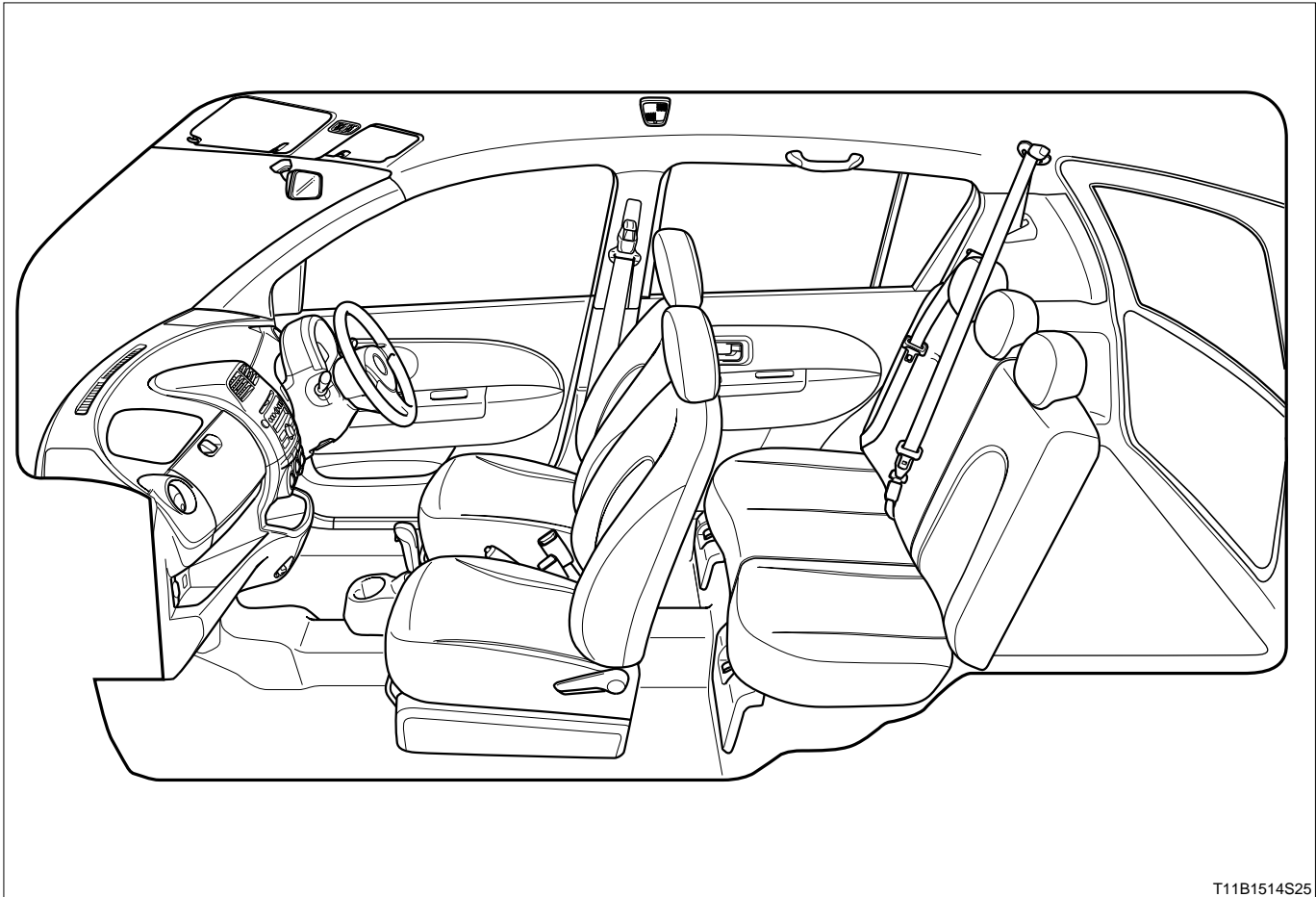
There are a total of ten colors for the body outer panel color, including the new Daihatsu colors B57, G40 and R43.

2-1-2 COLOR NO.

Color No.	Color Name
B42	Dark blue mica metallic
B57	Mint blue metallic opal
G40	Lime green metallic
R40	Shining red
R43	Cassis pink metallic
S28	Bright silver metallic
T17	Champagne metallic opal
W09	White
W16	Pearl white I
X07	Black mica metallic

INTERIOR 1 OUTLINE

- 1.A simple, clean, lively, smart life-partner has been created.
- 2.The large round extending from the instrument panel to the door trim creates an impression of a spacious vehicle interior and an open feeling.
- 3.The three-point type ELR-VW seat belt is provided on the rear central seat on some specifications.
- 4.A headrest is provided at the center of the rear seat of some specifications.



T11B1514S25

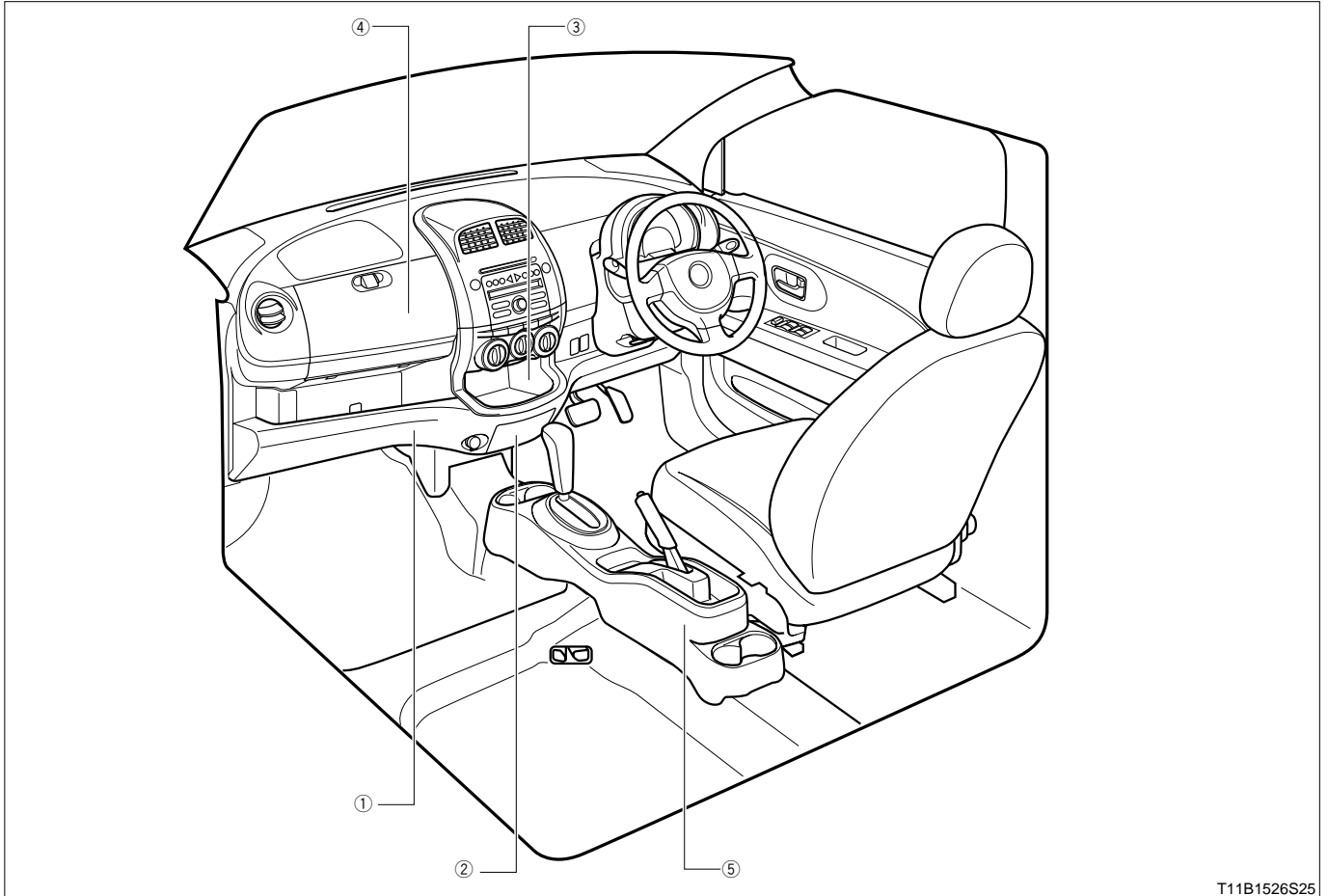
The illustration represents a major example.

2 CONSTRUCTION AND OPERATION

2-1 INSTRUMENT PANEL

2-1-1 DESCRIPTION

1. The instrument panel is made up of two sections of upper side and lower side, highlighting a two-tone color. The upper section employs a simple and natural design, whereas the lower section features a highly functional stile as a utility space.
2. The upper section has a dimpled grainy finish to improve the feeling of the material.
3. For enhanced storage spaces, a lot of storage space is provided, starting with the multi tray, center lower box, upper-and-lower divided glove box and the wide free rack.



T11B1526S25

The illustration represents a major example.

①	Wide free rack
②	Utility box
③	Multi tray
④	Upper-and-lower divided glove box
⑤	Console box

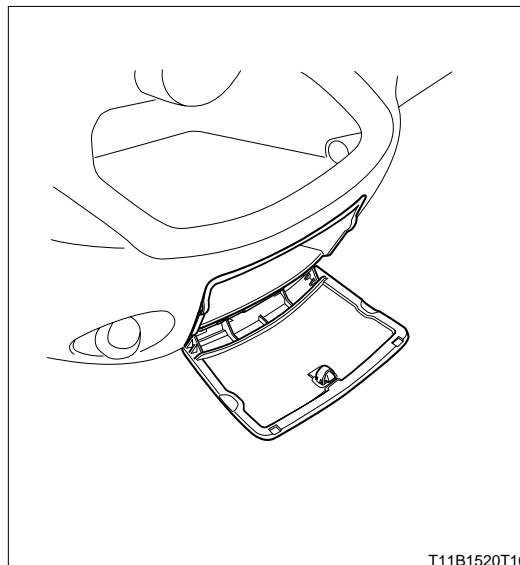
2-1-2 WIDE FREE RACK

For improved convenience, a wide free rack is provided at the lower part of the glove box.

12-5

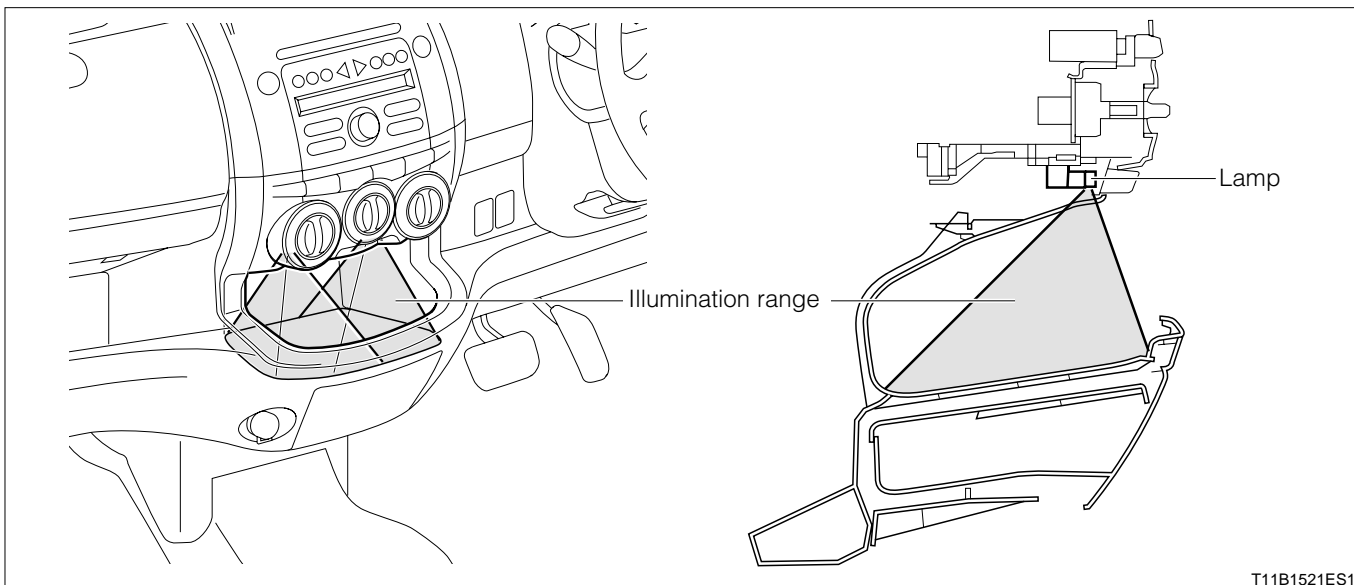
2-1-3 UTILITY BOX

For improved convenience, a utility box has been provided at the center cluster lower section (just below the multi-tray).



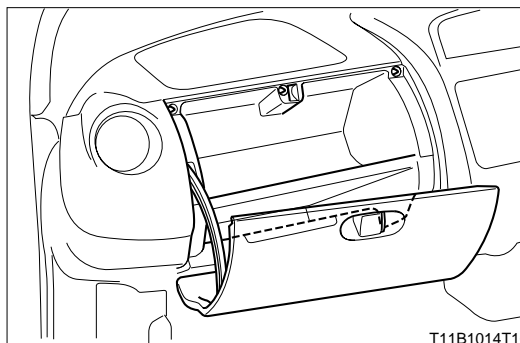
2-1-4 MULTI-TRAY

For improved convenience, a multi-tray with a night-illumination is provided at the lower section of the center cluster.



2-1-5 UPPER-AND-LOWER DIVIDED GLOVE BOX

For improved convenience, the glove box storage section is divided into two levels of an upper section and a lower section.

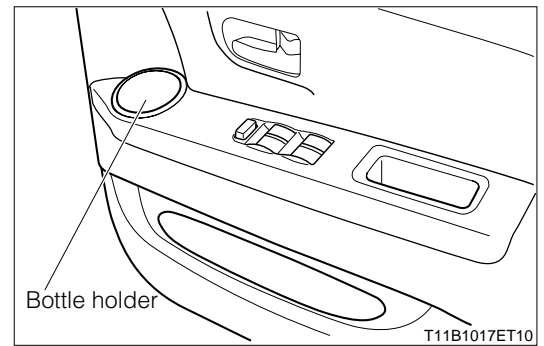


2-1-6 CONSOLE BOX

For improved convenience, a console box is provided between the front seats, which can serve as a bottle holder for the front seat-rear seat.

2-2 DOOR TRIM

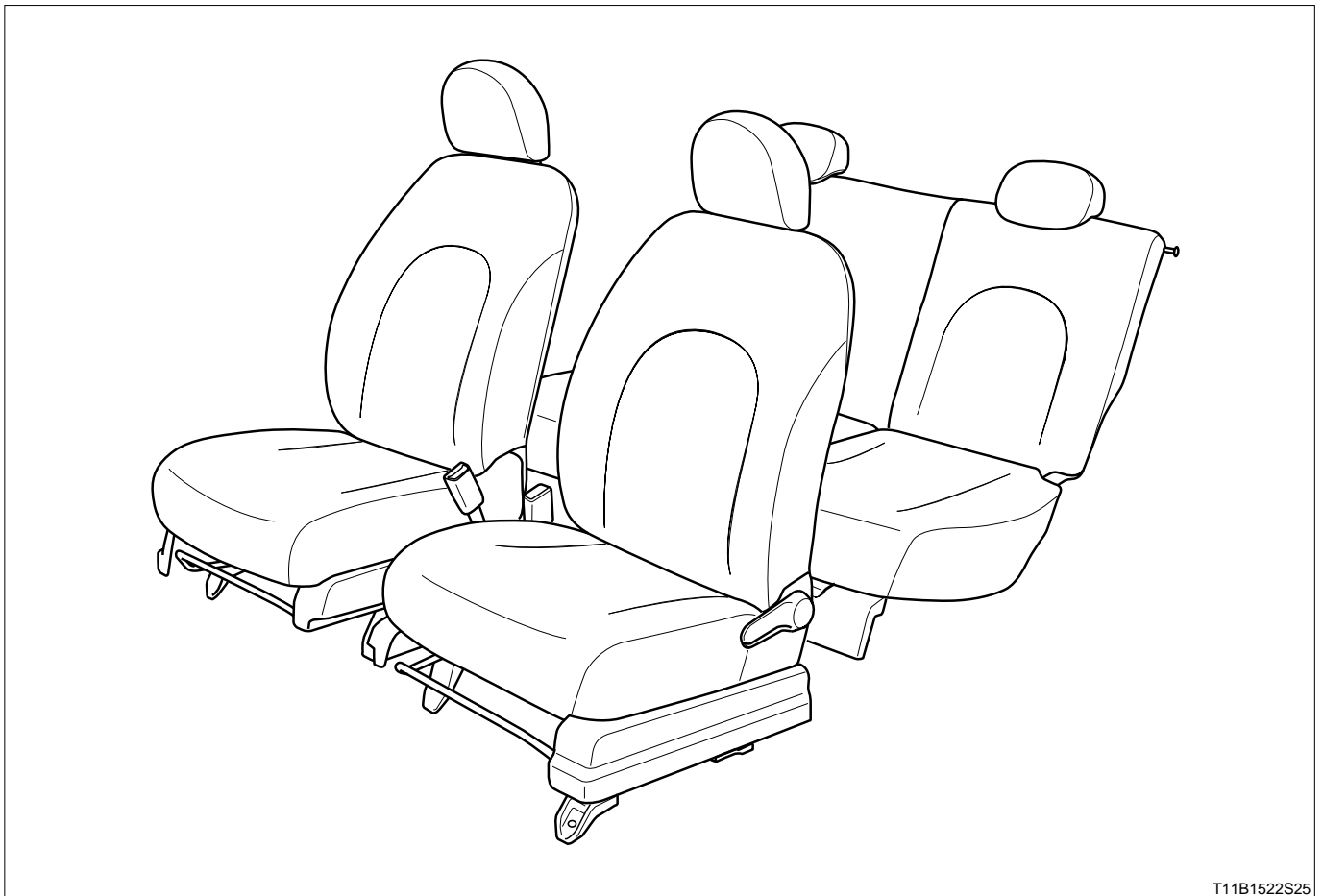
For improved convenience, a bottle holder is provided in the front door trim.



2-3 SEAT

2-3-1 DESCRIPTION

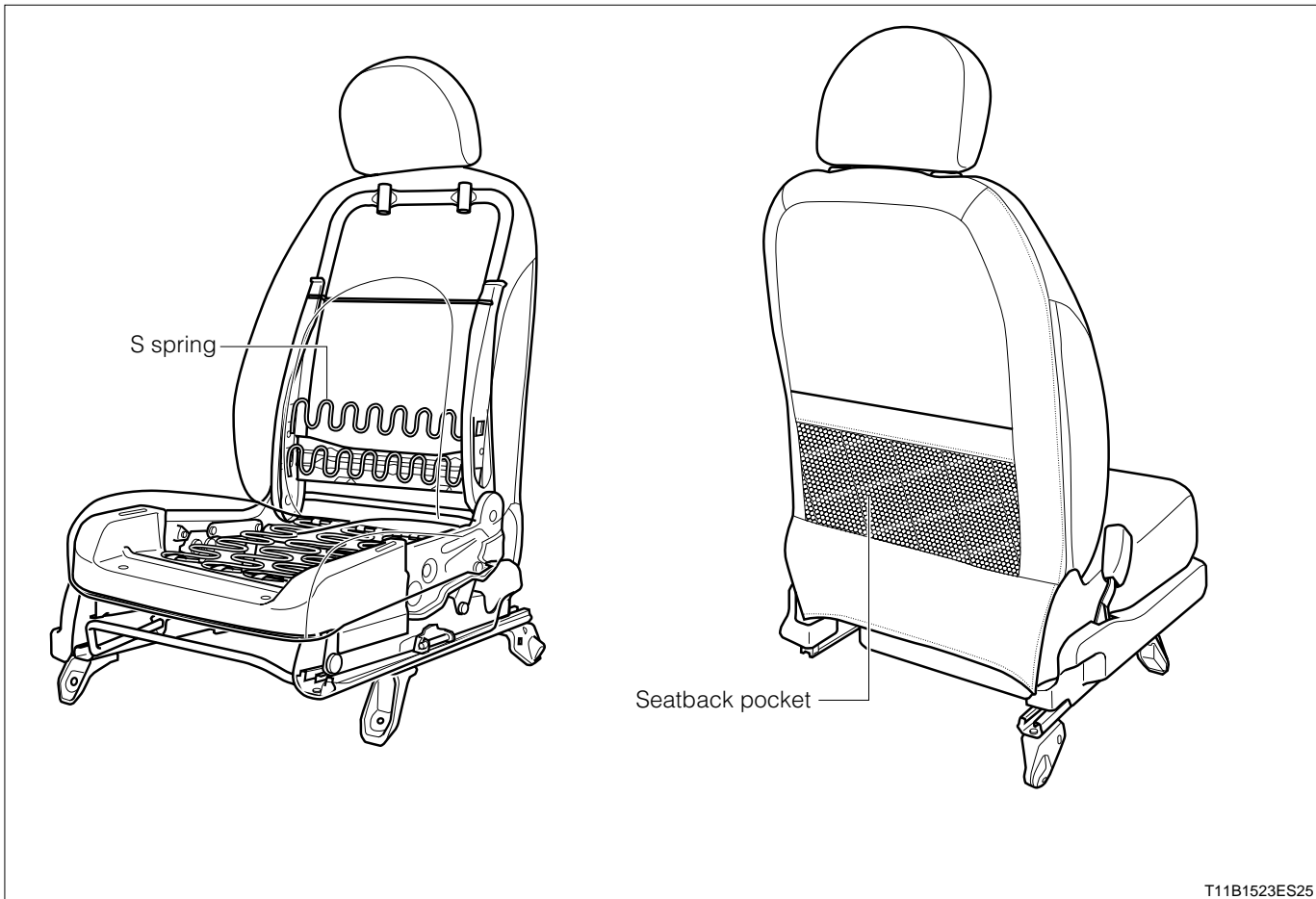
1. In order to achieve a light, stylish design, a simple and natural shape is employed.
2. For easier access from the front seat to the rear seat, the shoulder section of the seatback of the front seats has been rounded off.
3. All vehicles have employed a 6:4 dividing rear seats with a reclining mechanism, capable of the flat luggage mode and long cushion mode.
4. The ISOFIX bar for securing child seat and anchor bracket are provided at the rear seat of some specifications.



2-3-2 FRONT SEAT

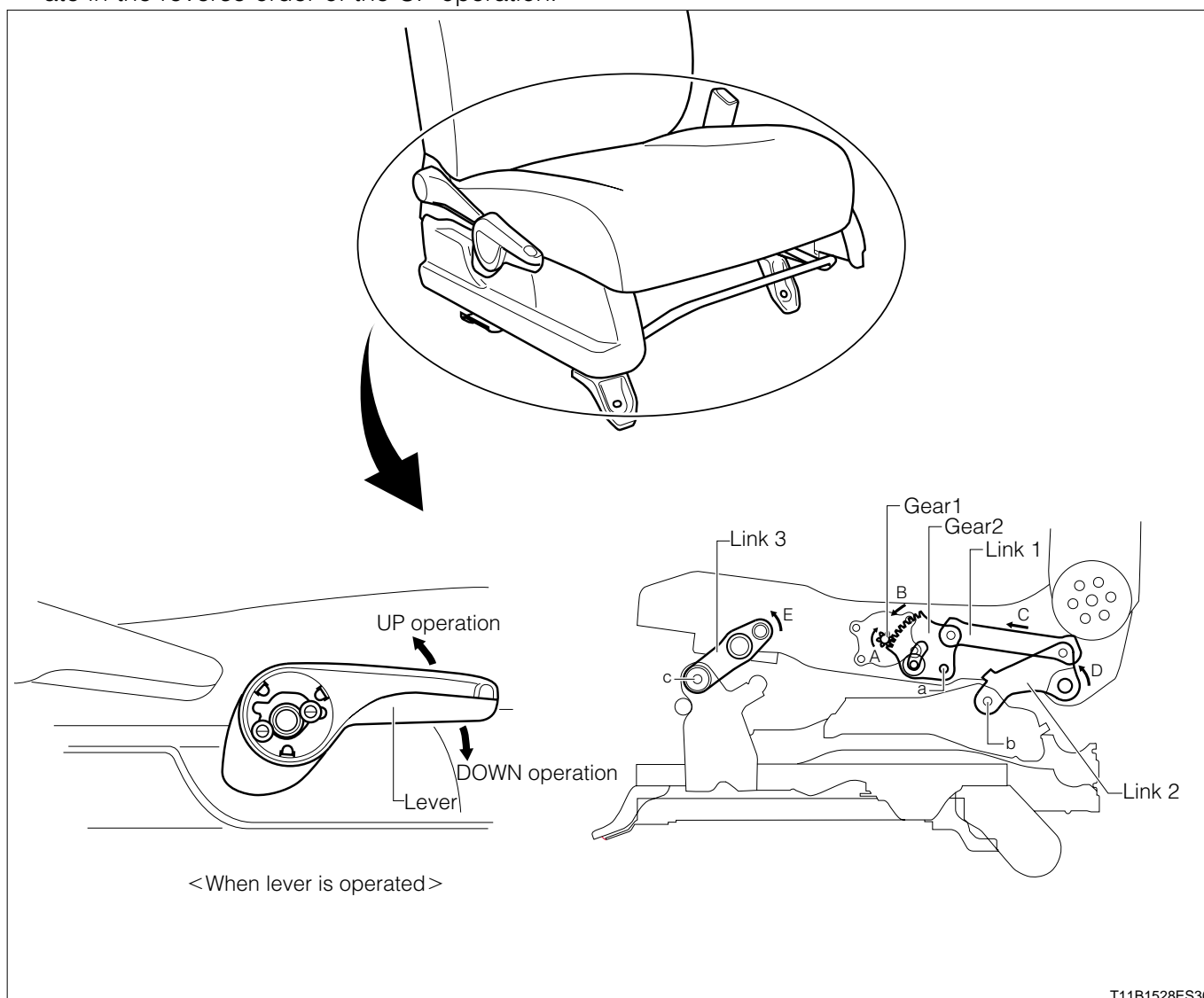
(1) Seatback pocket

1. For enhanced absorption of the cushion vibration, the cushion support mechanism is of an S-spring construction.
2. A seatback pocket is provided on the back of the passenger seat, depending on the specifications.



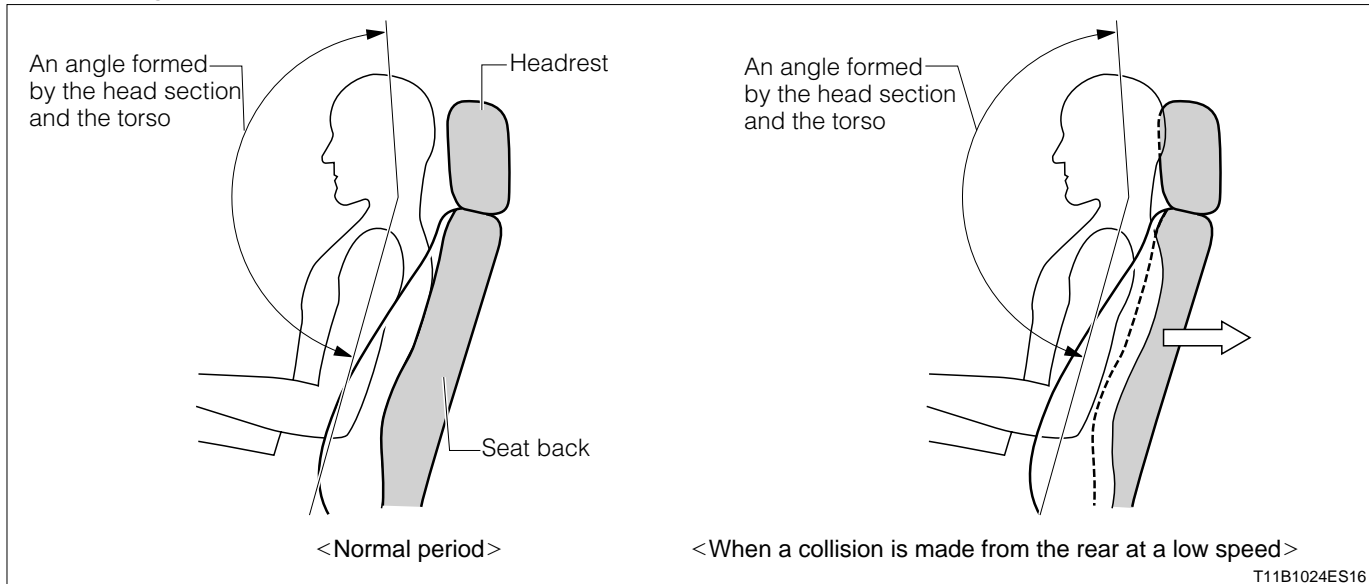
(2) Driver's seat lifter

1. When the seat is to be raised, set the lever on the driver's seat cushion side to the UP side. Thus, in interlocking with this operation, the gear 1 turns in the direction of the arrow A and the gear 2 turns in the direction of the arrow B about the fulcrum a.
2. The gear 2 is provided with the link 1. As a result of the turning of the gear 2 in the direction of the arrow B, the link 1 moves in the direction of C, and the link 2 turns in the direction of the arrow D about the fulcrum b.
3. When the link 2 turns in the direction of the arrow D, thus lifting the rear edge of the seat, the link 3 turns in the direction of the arrow E about the fulcrum C. Consequently, the whole seat is lifted up.
4. When the seat is lowered, set the lever to the DOWN side. Thus, the respective gears and links operate in the reverse order of the UP operation.



(3) WIL (Whiplash Injury Lessening) concept seat

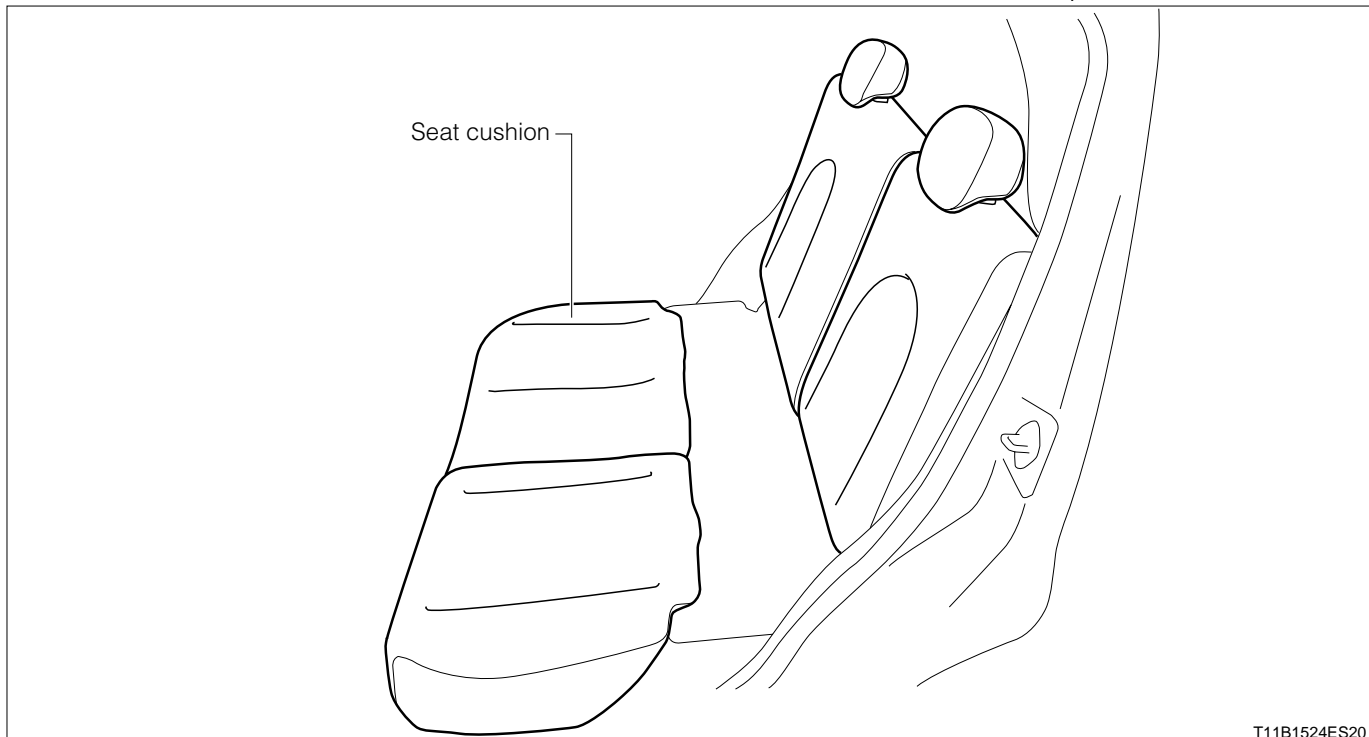
A WIL concept seat supports and holds the angle of the head and body of an occupant so that the relative movement of the body and head is prevented as much as possible, thus reducing the impact to the neck, during a low speed rear-end collision.



2-3-3 REAR SEAT

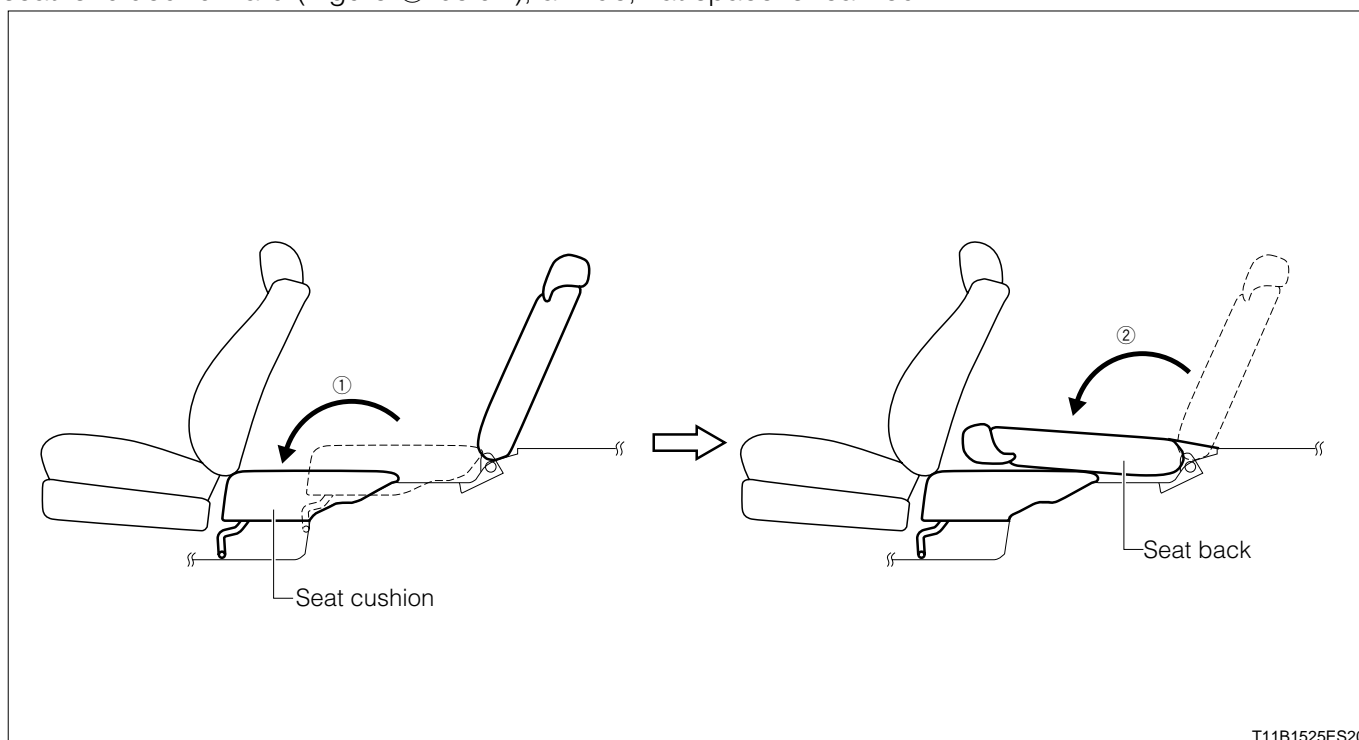
(1) Long cushion mode rear seat

When the rear seat cushions are moved in a front/lower direction, an almost flat space is realized.



(2) Flat luggage mode

When the passenger seat is set to the long cushion mode (Figure ① below) and the seatback of the rear seat is folded forward (Figure ② below), a wide, flat space is realized.



T11B1525ES20

2-4 SEAT BELT

2-4-1 DESCRIPTION

- 1.The driver's seat and passenger seat are provided with seat belts with pretensioner + force limiter mechanism.
- 2.The three-point type ELR-VW seat belt is provided on the rear central seat on some specifications.

	3-point type ELR-VW	Pretensioner mechanism+ Force limiter mechanism	ELR-ALR
Front seat (Driver's seat, front passenger's seat)	○	○	-
Rear seat(RH, LH)	-	-	○
Rear seat(CTR)	○	-	-

NOTE

- For details of the seat belt with pretensioner mechanism + force limiter mechanism, refer to the section under <H1.SRS airbag>.
- ELR-VW (Emergency Locking Retractor - Vehicle + Webbing)Emergency locking retractor - double sensing type: This type responds to both the vehicle acceleration and belt pulling acceleration.
- ALR (Automatic Locking Retractor): This mechanism is locked at any position automatically by the locking mechanism when the seat belt is extended and fastened.

I2-11

2-4-2 CENTRAL SEAT BELT ON REAR SEAT

- 1.The three-point type ELR-VW seat belt is provided on the rear central seat on some specifications.
- 2.When the seatback of the rear seat is folded forward, insert the key into the right side buckle of the center seat belt of the rear seat so as to remove the plate.

