

I1 BODY

BODY-----	I1 - 1
BASIC CHECK AND ADJUSTMENT----	I1 - 1
FRONT DOOR(TRIM-RELATED)-----	I1 - 8
DISASSEMBLING AND	
ASSEMBLING-----	I1 - 8
FRONT DOOR(GLASS-RELATED)-----	I1 - 11
DISASSEMBLING AND	
ASSEMBLING-----	I1 - 11
FRONT DOOR(LOCK-RELATED)-----	I1 - 13
DISASSEMBLING AND	
ASSEMBLING-----	I1 - 13
REAR DOOR(TRIM-RELATED)-----	I1 - 15
DISASSEMBLING AND	
ASSEMBLING-----	I1 - 15
REAR DOOR(GLASS-RELATED)-----	I1 - 18
DISASSEMBLING AND	
ASSEMBLING-----	I1 - 18
REAR DOOR(LOCK-RELATED)-----	I1 - 20
DISASSEMBLING AND	
ASSEMBLING-----	I1 - 20
BACK DOOR-----	I1 - 22
DISASSEMBLING AND	
ASSEMBLING-----	I1 - 22
FENDER-----	I1 - 24
REMOVAL AND INSTALLATION-----	I1 - 24
HOOD LOCK CONTROL CABLE-----	I1 - 27
REMOVAL AND INSTALLATION(RHD VEHI-	
CLES)-----	I1 - 27
REMOVAL AND INSTALLATION(LHD VEHI-	
CLES)-----	I1 - 29
FUEL LID CONTROL CABLE-----	I1 - 32
REMOVAL AND INSTALLATION-----	I1 - 32
REMOVAL AND INSTALLATION-----	I1 - 35
FUEL FILLER OPENING LID-----	I1 - 39
REMOVAL AND INSTALLATION-----	I1 - 39

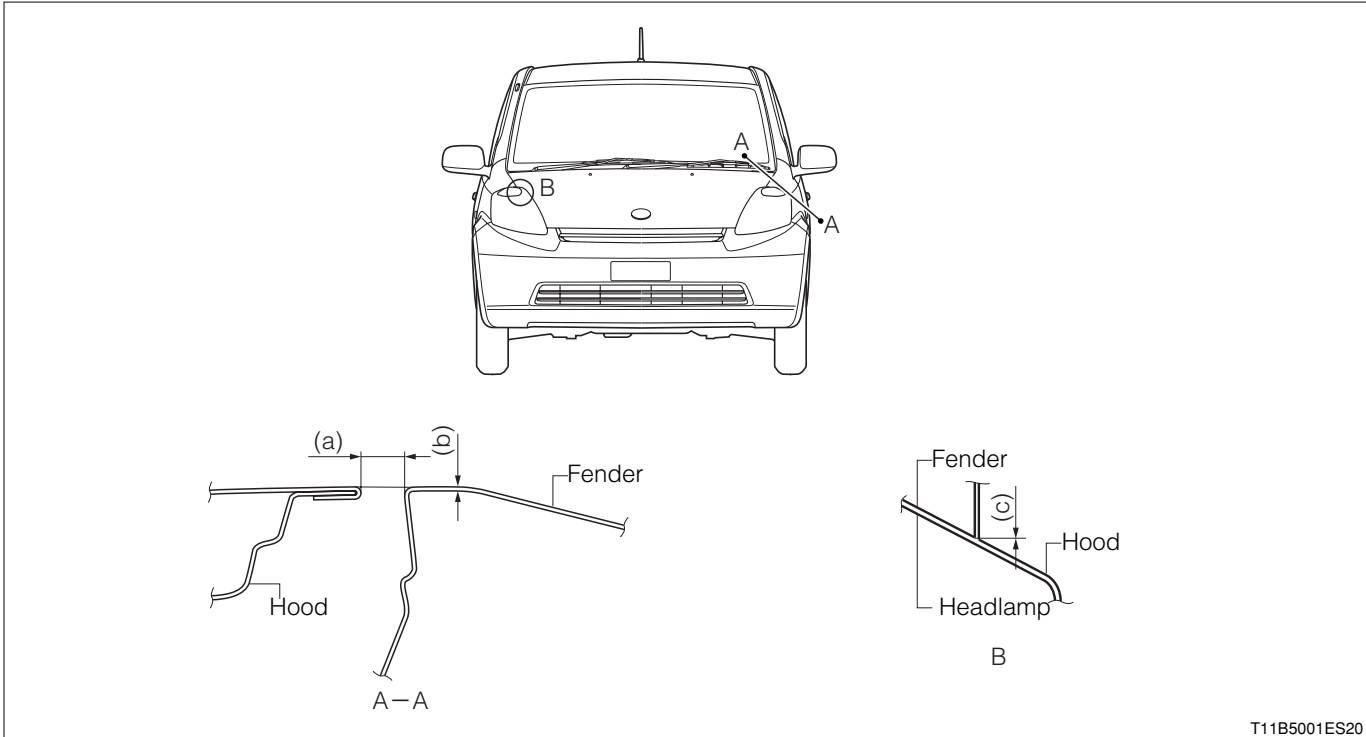
1 BODY

1-1 BASIC CHECK AND ADJUSTMENT

1-1-1 FITTING ADJUSTMENT

(1) hood

① Fitting dimensions



T11B5001ES20

FITTING DIMENSIONS OF HOOD PANEL

Measuring point		Specified gap (a)	Difference in height (b)	Flatness (c)	Difference between right and left	Deviation value
A - A	Hood X Front fender	3.5 ± 1.5	0 ± 1.5	—	Not to exceed 1.5	Not to exceed 1.5
B	Hood end	—	—	0 ± 1.5	Not to exceed 1.5	—

Unit : mm

② Fitting adjustment

a. Adjustment of the hood in longitudinal direction, and in lateral direction at the rear end

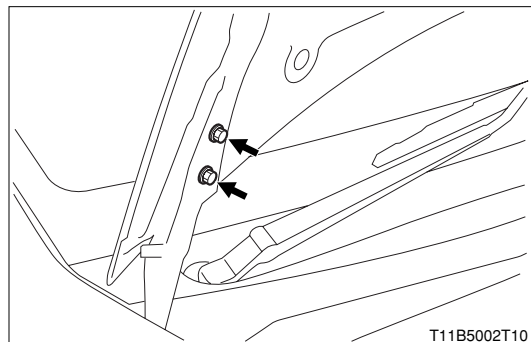
1. Loosen the hood hinge bolts to adjust.

CAUTION

- Since the centering bolt is used, adjustment must be done only after the centering bolt is replaced with the supplied bolt.

NOTE

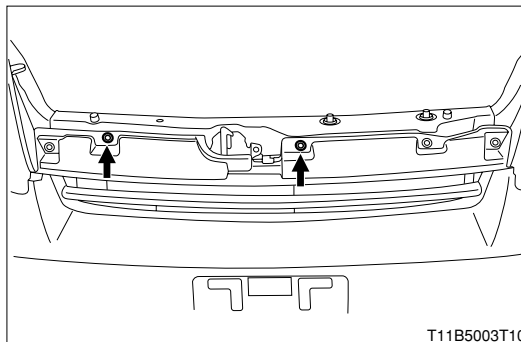
- Part number of bolt: 91631-60614-000



T11B5002T10

b. Adjustment of the hood in vertical and lateral direction at the front end

1. Remove two clips on the front bumper cover and pull the hood lock area of the front bumper cover to provide a gap for the tool.



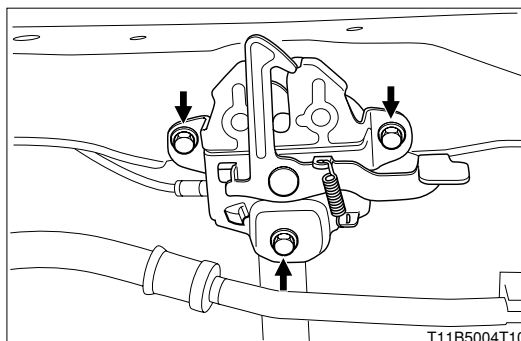
2. Loosen the hood lock bolt prior to adjustment.

CAUTION

- In cases where the centering bolt has been used, replace it with a bolt supplied for adjustment use in advance.

NOTE

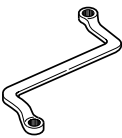
- Part number of bolt: 91511-G0612-000



(2) Front & rear door

① **Articles to be prepared**

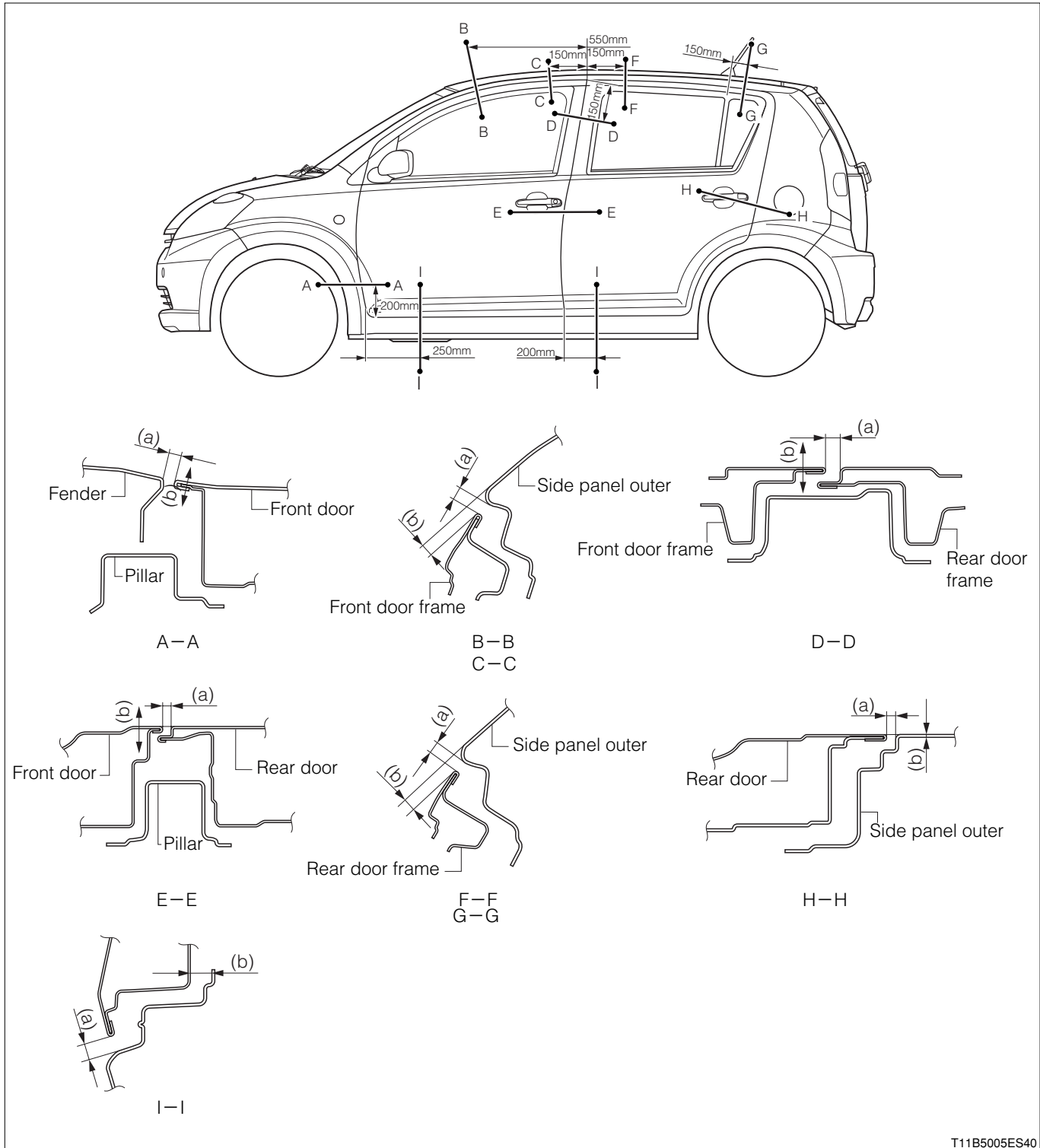
SST

Shape	Part No.	Part name
	09812-00010-000 (09812-22010-000)	Wrench door hinge set bolt

Tool

Long TORX® wrench T40

② Fitting dimensions



Fitting dimensions of door

Measuring point		Specified gap (a)	Difference in height (b)	Difference between right and left	Deviation value
A – A	Front door X Front fender	4.2 ± 1.2	0 ± 1.5	–	Not to exceed 1.5
B – B	Front door X Side panel	4.8 ± 1.5	-3.7 ± 1.5	–	Not to exceed 1.5
C – C	Front door X Side panel	4.8 ± 1.5	-3.8 ± 1.5	–	Not to exceed 1.5
D – D	Front door X Rear door	4.2 ± 1.2	0 ± 1.5	Not to exceed 1.5	Not to exceed 1.5
E – E	Front door X Rear door	4.2 ± 1.2	0 ± 1.5	–	Not to exceed 1.5
F – F	Rear door X Side panel	4.8 ± 1.5	-3.5 ± 1.5 (Side panel reference)	–	Not to exceed 1.5
G – G	Rear door X Side panel	4.8 ± 1.5	-3.1 ± 1.5 (Side panel reference)	–	Not to exceed 1.5
H – H	Rear door X Quarter panel	4.2 ± 1.2	0 ± 1.5 (Rear door reference)	–	Not to exceed 1.5
I – I	Front/Rear door X Rocker panel	6.0 ± 1.5	–	–	Not to exceed 2.0

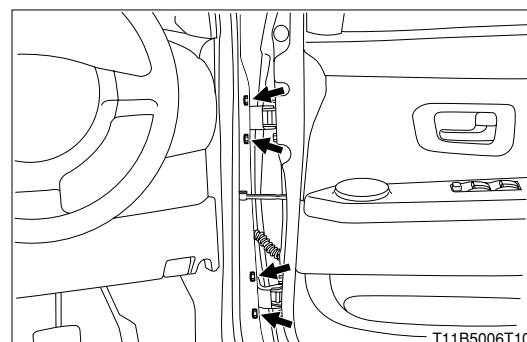
Unit : mm

③ Fitting adjustment (Front door)

c. Adjustment of the door at the rear end, and in vertical and lateral directions

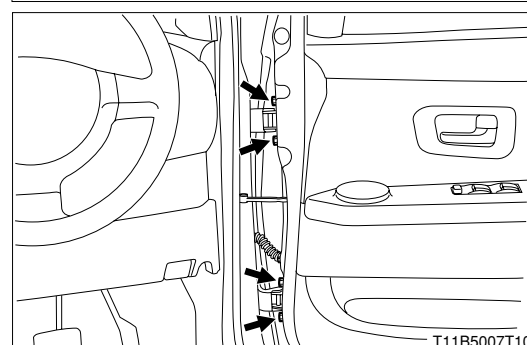
- Loosen the bolt on the pillar side with the SST and perform adjustment.

SST: 09812-00010-000



d. Adjustment of the door in vertical direction, and in lateral direction at the front end

- Loosen the bolt on the door side to adjust.



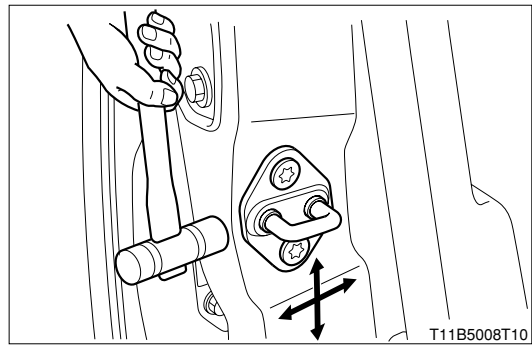
e. Adjustment of the door in longitudinal and lateral directions and the front door lock striker

- Loosen the striker mounting screw until the striker gets loose.

TOOL: Long TORX® wrench T40

I1-5

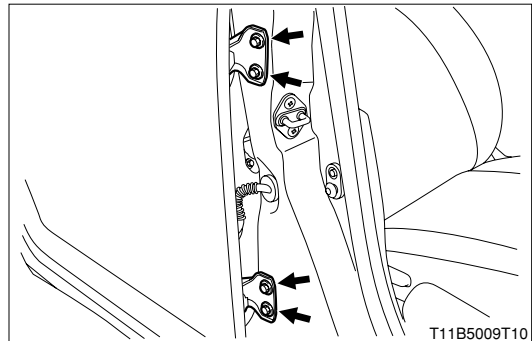
2. Adjust the striker by tapping lightly.



④ Fitting adjustment (Rear door)

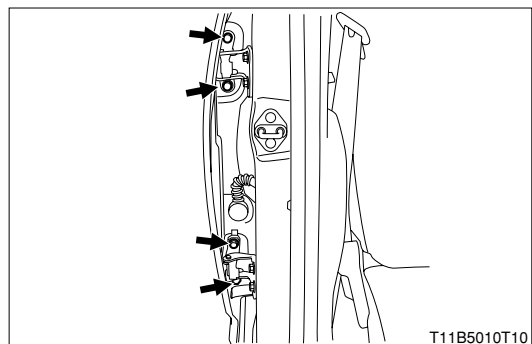
f. Adjustment of the door at the rear end, and in vertical and lateral directions

1. Loosen the bolt on the pillar side to adjust.



g. Adjustment of the door in vertical direction, and lateral direction at the door front end

1. Loosen the bolt on the door side to adjust.

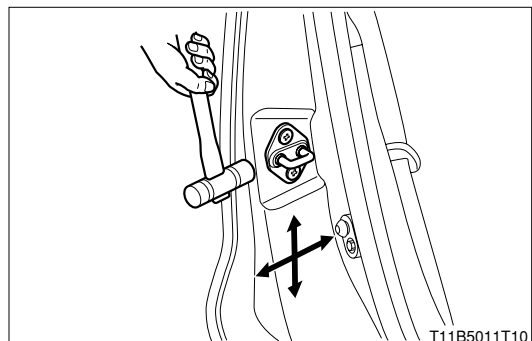


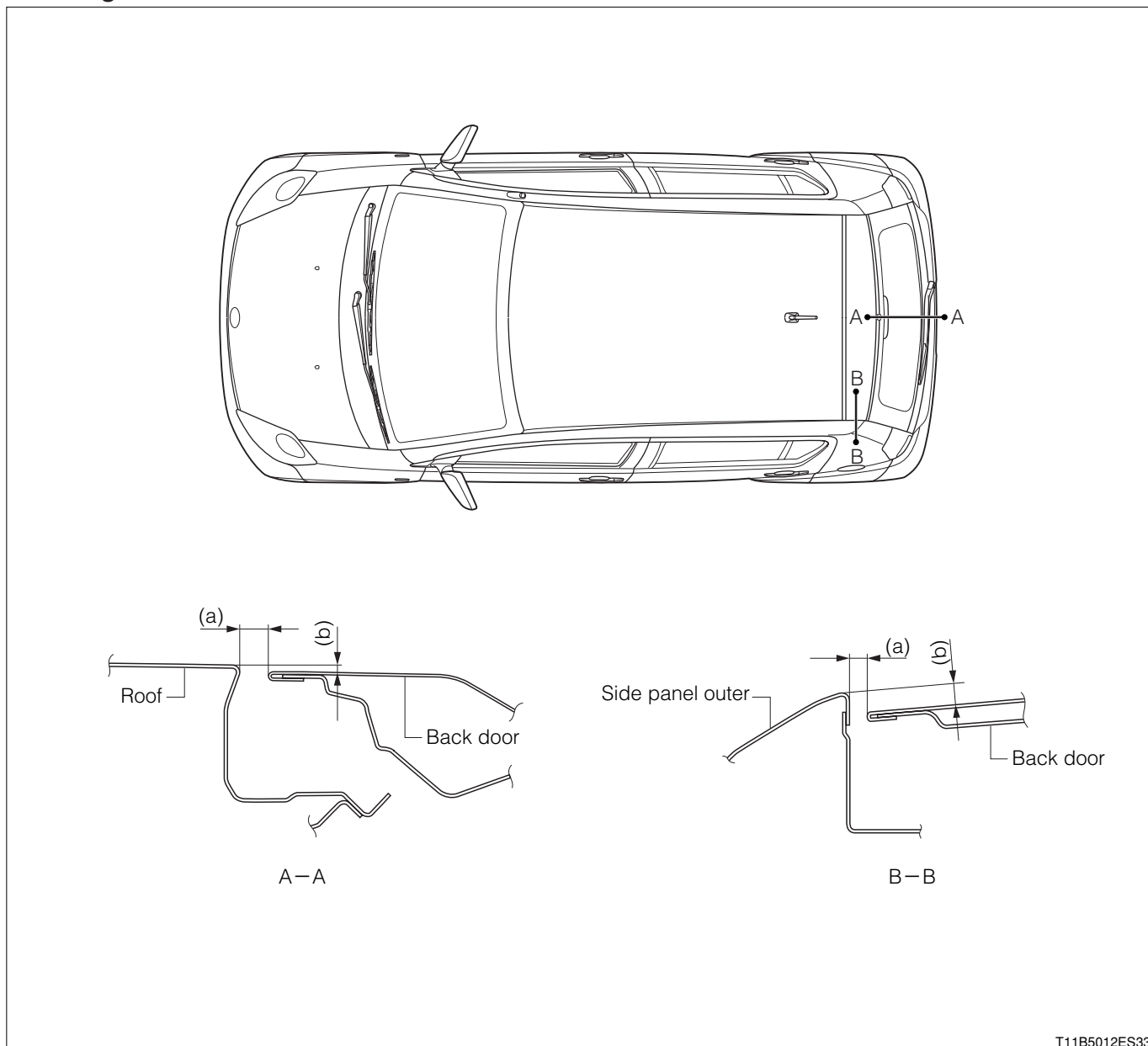
h. Adjustment of the door in longitudinal and lateral directions and the rear door lock striker

1. Loosen the striker mounting screw until the striker gets loose.

TOOL: Long TORX® wrench T40

2. Adjust the striker by tapping lightly.



(3) Back door**① Fitting dimensions****Fitting dimensions of back door**

Measuring point		Specified gap (a)	Difference in height (b)	Difference between right and left	Deviation value
A - A	Back door X Roof	7.5 ± 1.5	-1.0 ± 1.6	—	Not to exceed 1.5
B - B	Back door X Quarter panel	5.0 ± 1.5	9.8 ± 1.5	Not to exceed 1.5	—

Unit : mm

② Fitting adjustment

i. Adjustment of the back door in vertical and lateral directions at the upper end

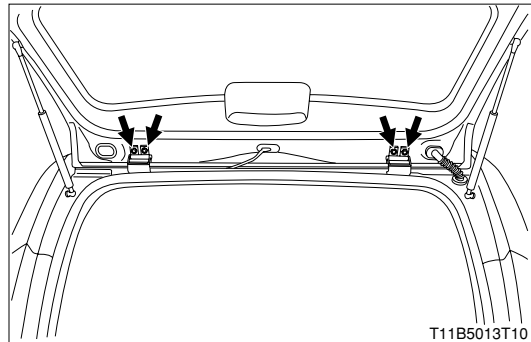
1. Loosen the hinge mounting bolt on the door side before the adjustment.

CAUTION

- Since the centering bolt is used, adjustment must be done only after the centering bolt is replaced with the supplied bolt.

NOTE

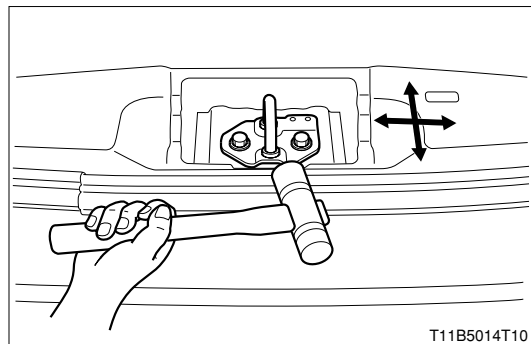
- Part number of bolt: 91651-40816-000



j. Adjustment of the back door in longitudinal direction and the back door lock striker

1. Loosen the striker mounting screw until the striker gets loose.

2. Adjust the striker by tapping lightly.



1-1-2 CHECK THE FRAME AND THE BODY FOR ANY LOOSENING AND DAMAGE

1. Check the conditions of the tightening bolts, nuts and rivets for the frames and cross members with a spanner.

SPECIFIED VALUE: There shall be no loosening.

2. Check the body, frame and cross member for damage such as rust, crack, deformation, and peel-off of welding.

SPECIFIED VALUE: There shall be no damage, such as rust, crack, deformation, and peel-off of welding.

3. Move the door by hand to ensure there are no loose hinges due to excessive play.

SPECIFIED VALUE: There shall be no loosening.

2 FRONT DOOR(TRIM-RELATED)

2-1 DISASSEMBLING AND ASSEMBLING

2-1-1 ARTICLES TO BE PREPARED

Tool

Clip remover

Lubricant,adhesive,others

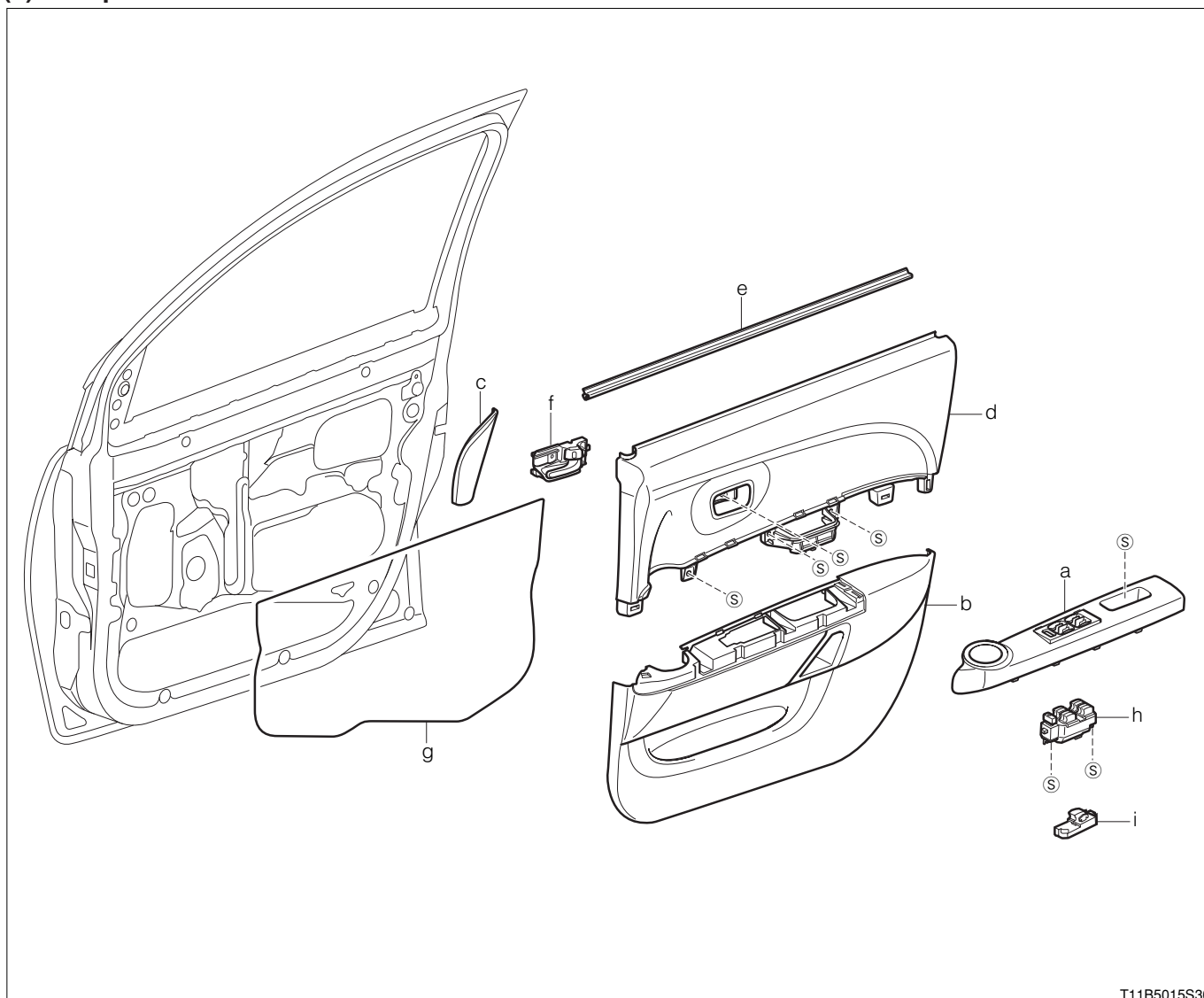
Butyl tape

2-1-2 OPERATION BEFORE DISASSEMBLY

- 1.Disconnect the battery negative (−) terminal.

2-1-3 DISASSEMBLY AND ASSEMBLY PROCEDURES

(1) Components



T11B5015S30

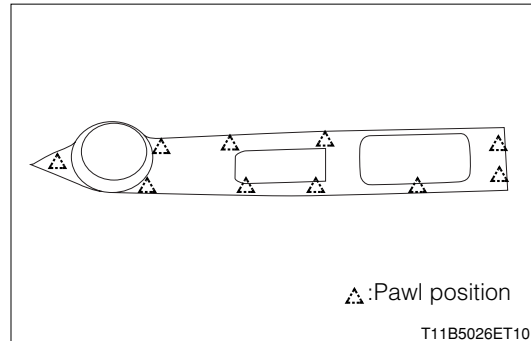
(2) Disassembling and assembling procedures

- | | | | |
|-----|--|-----|---|
| ▼ 1 | a Panel, front door armrest base, upper RH/LH | ▲ 6 | f Handle S/A, front door inside RH/LH |
| ▼ 2 | b Board Ay, front door trim, lower RH/LH | ▲ 7 | g Cover, front door service hole, RH |
| ▼ 3 | c Garnish, front door lower frame bracket, RH/LH | 8 | h Master switch Ay, power window regulator (Driver's seat side) |
| ▼ 4 | d Board Ay, front door trim, upper RH/LH | 9 | i Switch Ay, power window regulator (Passenger seat side) |
| 5 | e Weather-strip, front door glass, inner RH/LH | | |

2-1-4 POINTS OF DISASSEMBLY

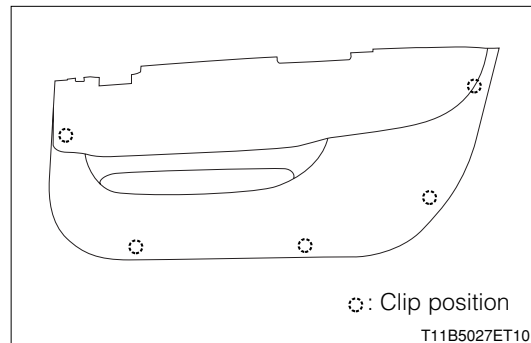
(1) Panel, front door armrest base, upper RH/LH

- 1.Remove 1 screw.
- 2.Disengage and remove the tabs.



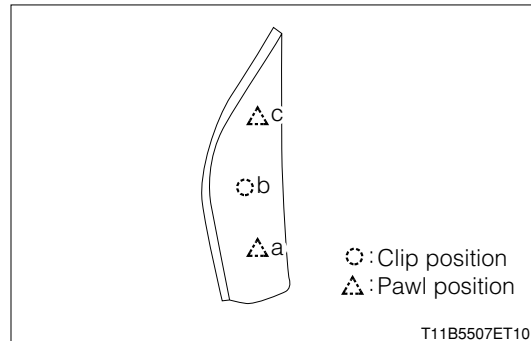
(2) Board Ay, front door trim, lower RH/LH

- 1.Remove the screws (3 locations).
- 2.Disengage and remove the pawls and clips.



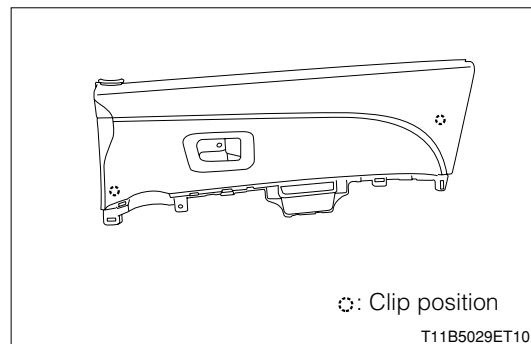
(3) Garnish, front door lower frame bracket, RH/LH

- 1.Disengage the pawl (a) and clip (b).
- 2.Slightly lift the garnish to the upward of the vehicle, and remove it by disengaging the pawl (c).



(4) Board Ay, front door trim, upper RH/LH

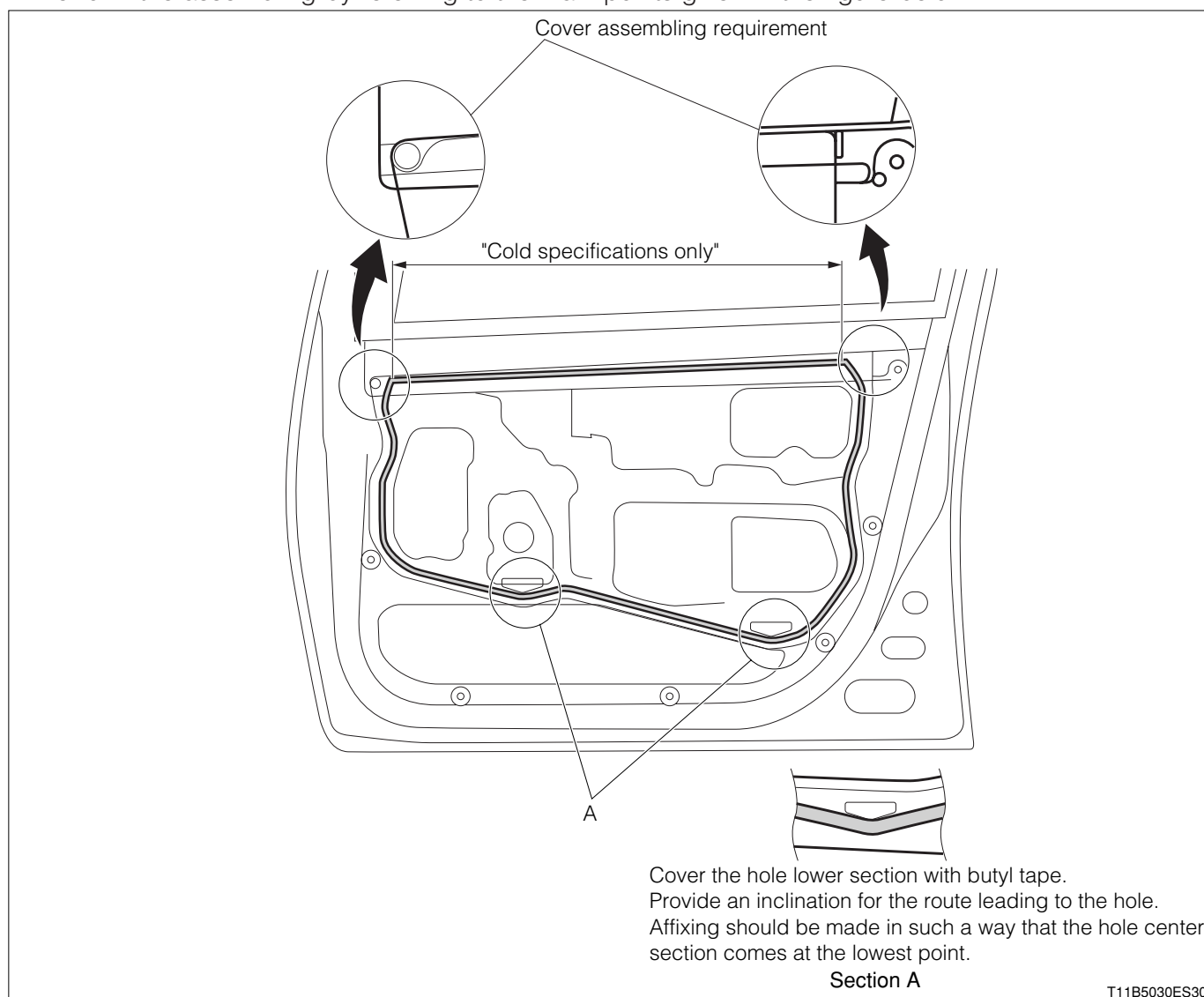
- 1.Disengage the clips.
- 2.Lift the board Ay toward the upper side of the vehicle and remove.



2-1-5 POINTS OF ASSEMBLY

(1) Cover, front door service hole, RH

1. Perform the assembling by referring to the main points given in the figure below.



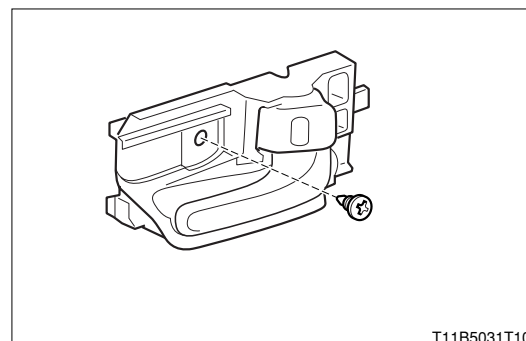
(2) Handle S/A, front door, inside RH/LH

CAUTION

- Be very careful not to break the threaded hole by tightening the screw with an excessive torque, for an ET screw has been employed.
- Do not use an impact driver when tightening the screw.
- If the threaded section should be broken, be sure to use an oversized ET screw (90041-67041-000).

NOTE

- ET screw: This is a screw by which a female screw is threaded as it is tightened, utilizing the shape at the tip end which has a self-drilling effect.



2-1-6 OPERATION AFTER ASSEMBLY

1. Connect the battery negative (−) terminal.

I1-11

3 FRONT DOOR(GLASS-RELATED)

3-1 DISASSEMBLING AND ASSEMBLING

3-1-1 ARTICLES TO BE PREPARED

Lubricant, adhesive, others

MP grease, Protective tape

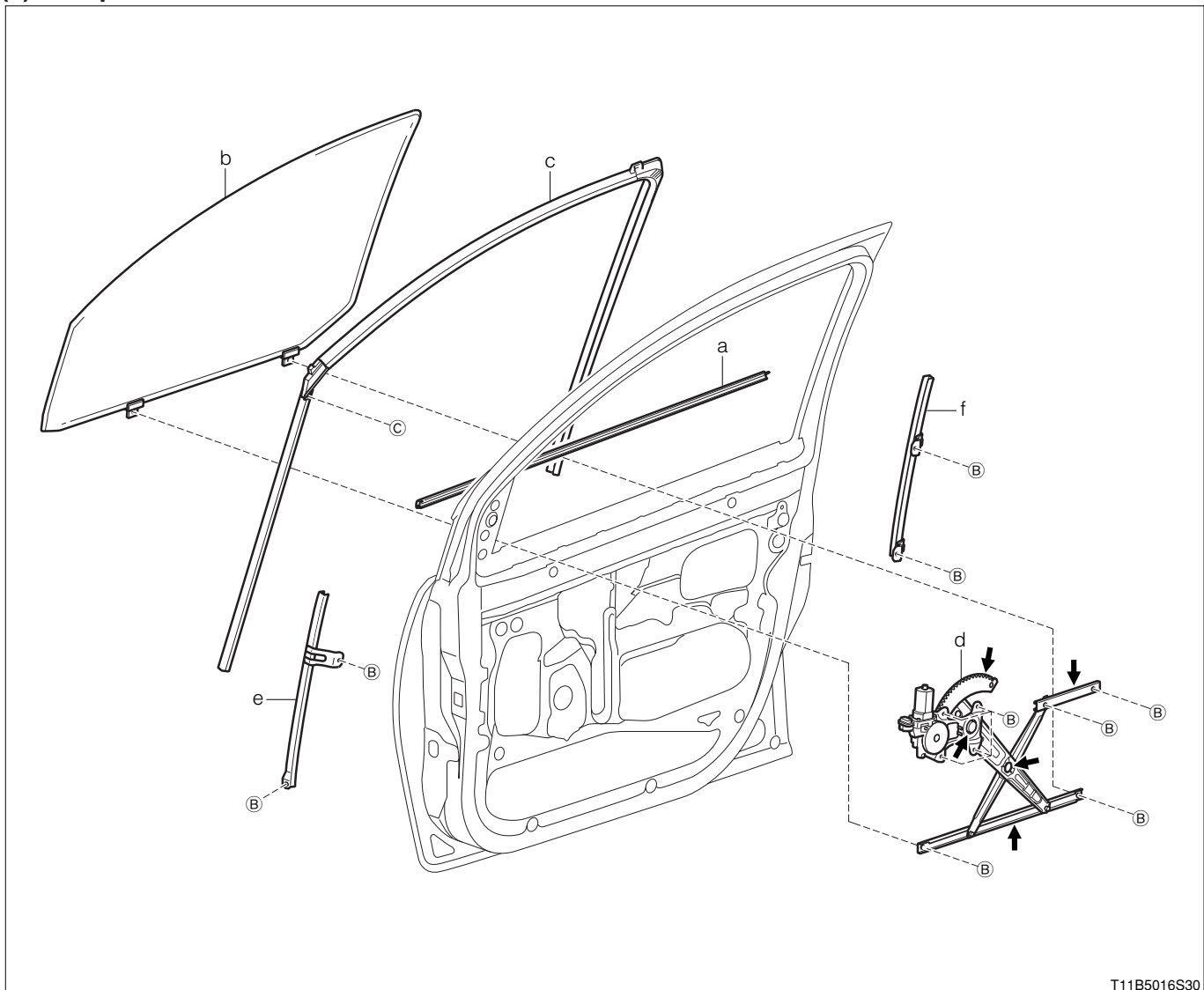
3-1-2 OPERATION BEFORE DISASSEMBLY

1. Disconnect the battery negative (−) terminal.
2. Remove the front door service hole cover RH.
Refer to Page I1-8.

3. Remove the outer rear view mirror Ay RH/LH.
Refer to Page I3-26.

3-1-3 DISASSEMBLY AND ASSEMBLY PROCEDURES

(1) Components



T11B5016S30

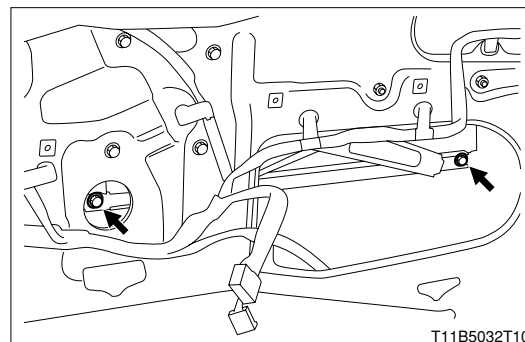
➔: MP grease

(2) Disassembling and assembling procedures

- 1 a Weather-strip, front door window, outer RH/LH
- ▼ 2 b Glass S/A, front door, RH/LH
- 3 c Run, front door glass front, RH/LH
- 4 d Regulator Ay, front door power window, RH/LH
- 5 e Frame S/A, front door, front lower, RH/LH
- 6 f Frame S/A, front door, rear lower, RH/LH

3-1-4 POINTS OF DISASSEMBLY**(1) Glass S/A, front door, RH/LH**

1. Apply a protective tape to the door panel flange.
2. Operate the glass S/A until the bolts are visible.
3. Remove the bolts (2 locations).

**3-1-5 OPERATION AFTER ASSEMBLY**

1. Install the outer rear view mirror Ay RH/LH.
Refer to Page I3-26.
2. Install the front door service hole cover RH.
Refer to Page I1-8.
3. Connect the battery negative (–) terminal.

I1-13

4 FRONT DOOR(LOCK-RELATED)

4-1 DISASSEMBLING AND ASSEMBLING

4-1-1 ARTICLES TO BE PREPARED

Tool

TORX® wrench T30

Lubricant,adhesive,others

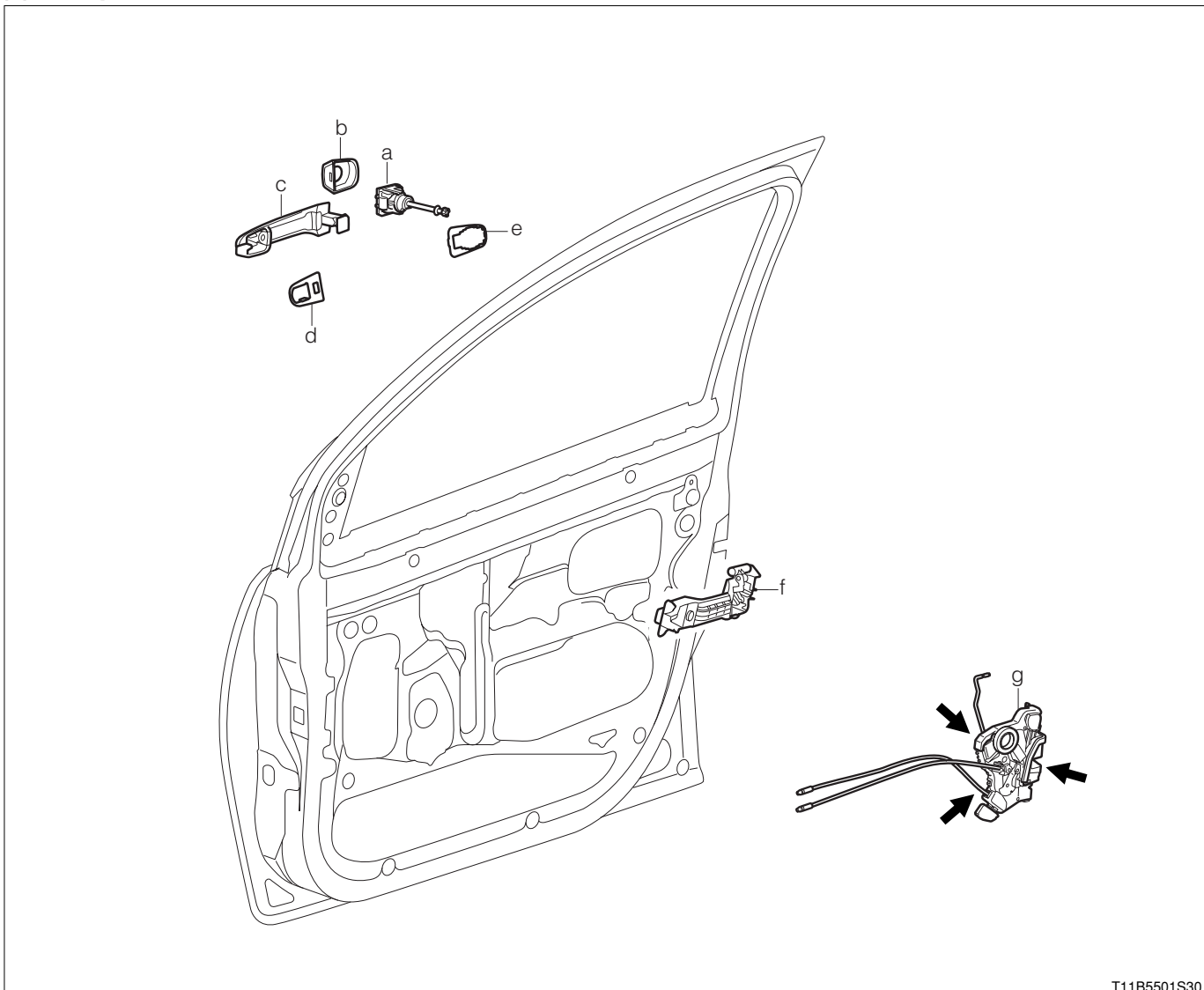
MP grease

4-1-2 OPERATION BEFORE DISASSEMBLY

- 1.Disconnect the battery negative (－) terminal.
- 2.Remove the front door service hole cover RH.
Refer to Page I1-8.
- 3.Remove the front door rear lower frame S/A RH/LH.
Refer to Page I1-11.

4-1-3 DISASSEMBLY AND ASSEMBLY PROCEDURES

(1) Components



T11B5501S30

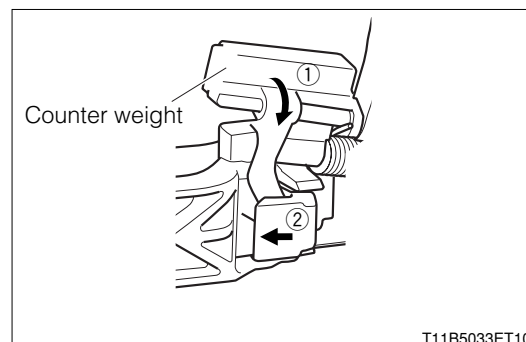
➔: MP grease

(2) Disassembling and assembling procedures

- | | | | | | |
|-----|---|---|---|---|---|
| 1 | a | Cylinder Ay, front door lock, RH/LH | 6 | f | Frame S/A, front door outside handle, RH/LH |
| 2 | b | Cover, front door outside handle, RH/LH | 7 | g | Lock Ay, front door w/motor, RH/LH |
| ▲ 3 | c | Handle, front door outside RH | | | |
| 4 | d | Pad, front door outside handle, RH | | | |
| 5 | e | Pad, front door outside handle, LH | | | |

4-1-4 POINTS OF ASSEMBLY**(1) Handle, front door outside RH/LH**

1. While pushing the counterweight of the RH/LH front door outside handle frame S/A, push the handle toward the front of the vehicle to assemble.

**4-1-5 OPERATION AFTER ASSEMBLY**

1. Install the front door rear lower frame S/A RH/LH.
Refer to Page I1-11.
2. Install the front door service hole cover RH.
Refer to Page I1-8.
3. Connect the battery negative (-) terminal.

5 REAR DOOR(TRIM-RELATED)

5-1 DISASSEMBLING AND ASSEMBLING

5-1-1 ARTICLES TO BE PREPARED

Tool

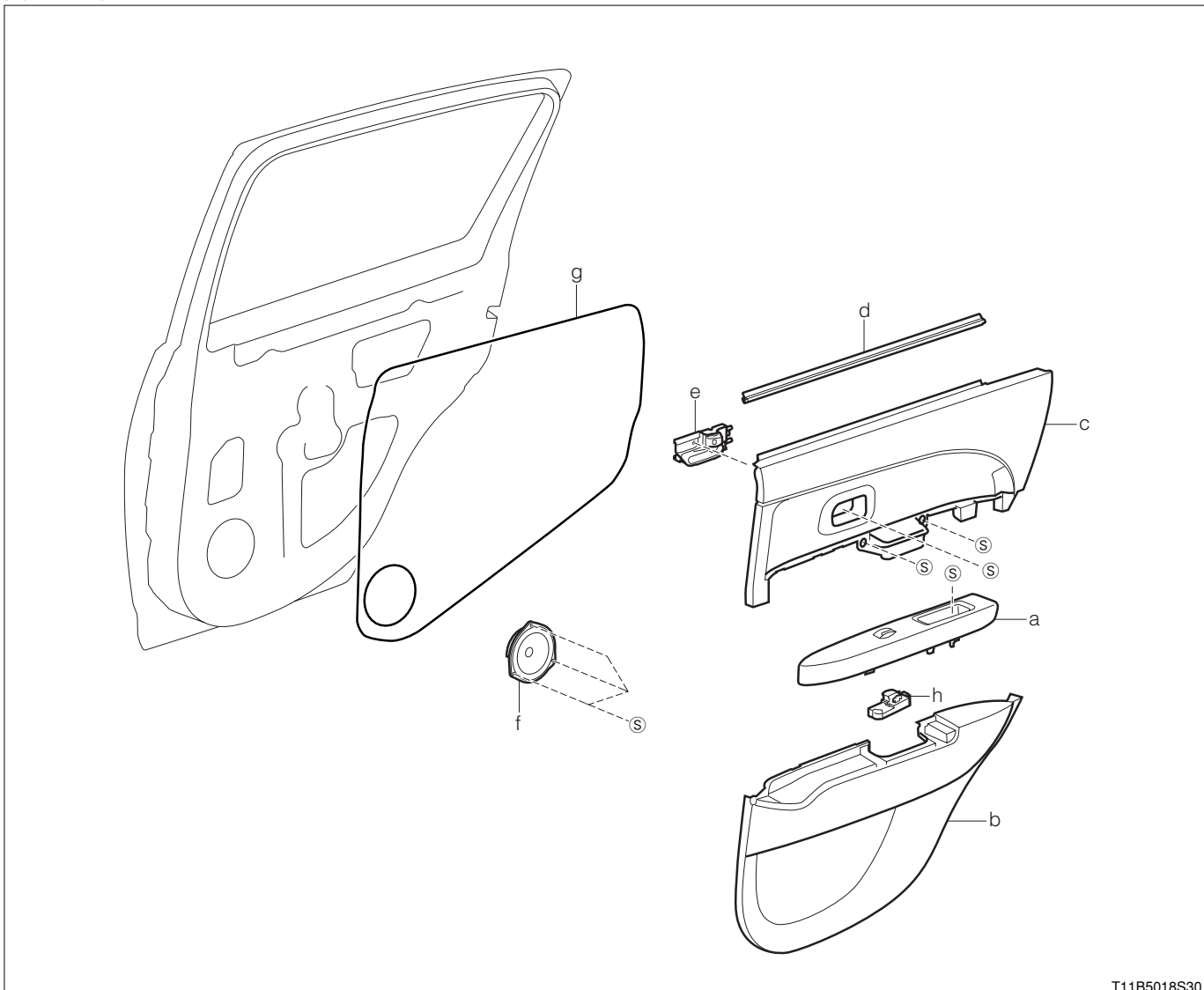
Clip remover

Lubricant, adhesive, others

Butyl tape

5-1-2 DISASSEMBLY AND ASSEMBLY PROCEDURES

(1) Components



T11B5018S30

(2) Disassembling and assembling procedures

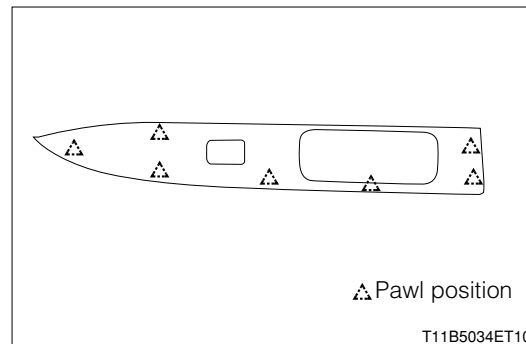
- ▼ 1 a Panel, rear door armrest base, upper RH/LH
- ▼ 2 b Board Ay, rear door trim, lower RH/LH
- ▼ 3 c Panel, rear door trim, upper RH/LH
- 4 d Weather-strip, rear door trim, inner RH/LH
- ▲ 5 e Handle S/A, front door inside, RH/LH
- 6 f Speaker Ay, radio
- ▲ 7 g Cover, rear door service hole, RH
- 8 h Switch Ay, power window regulator

5-1-3 POINTS OF DISASSEMBLY

(1) Panel, rear door armrest base, upper RH/LH

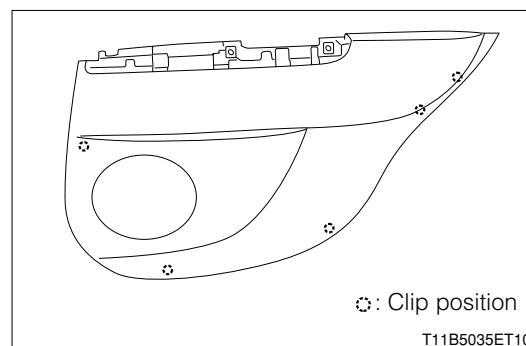
1. Remove the screw (1 location).

2. Disengage the pawls to remove.



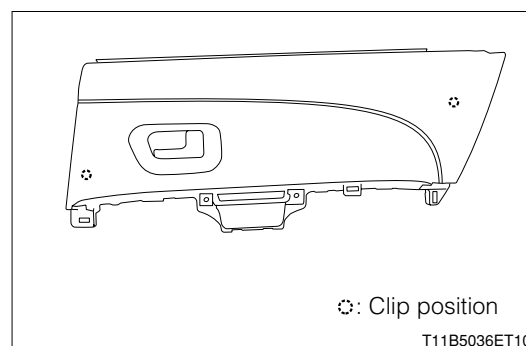
(2) Board Ay, rear door trim, lower RH/LH

1. Remove the screws (2 locations).
2. Disengage the pawls and clips to remove.



(3) Panel, rear door trim, upper RH/LH

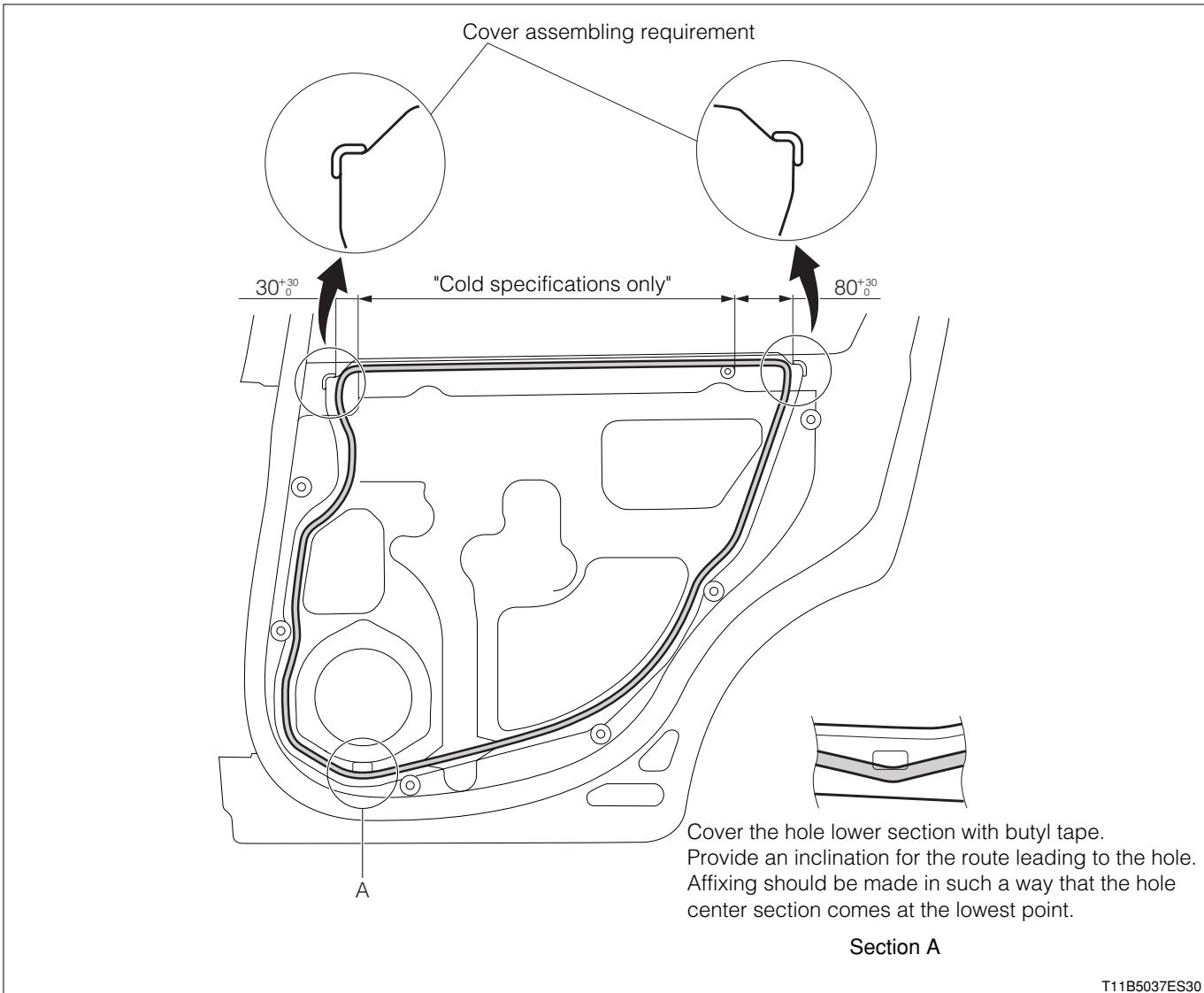
1. Disengage the clips.
2. Lift the panel Ay toward the upper side of the vehicle and remove.



5-1-4 POINTS OF ASSEMBLY

(1) Cover, rear door service hole, RH

1. Perform the assembling by referring to the main points given in the figure below.



T11B5037ES30

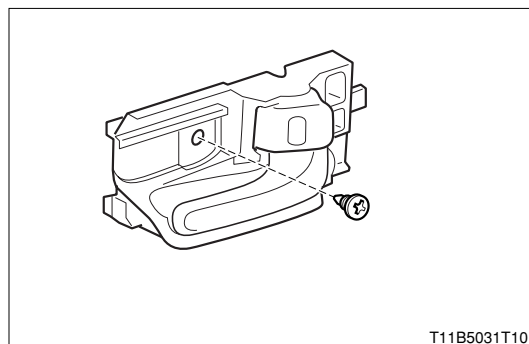
(2) Handle S/A, front door inside, RH/LH

CAUTION

- Be very careful not to break the threaded hole by tightening the screw with an excessive torque, for an ET screw has been employed.
- Do not use an impact driver when tightening the screw.
- If the threaded section should be broken, be sure to use an oversized ET screw(90041-67041-000).

NOTE

- ET screw: This is a screw by which a female screw is threaded as it is tightened, utilizing the shape at the tip end which has a self-drilling effect.



T11B5031T10

6 REAR DOOR(GLASS-RELATE)

6-1 DISASSEMBLING AND ASSEMBLING

6-1-1 ARTICLES TO BE PREPARED

Lubricant, adhesive, others

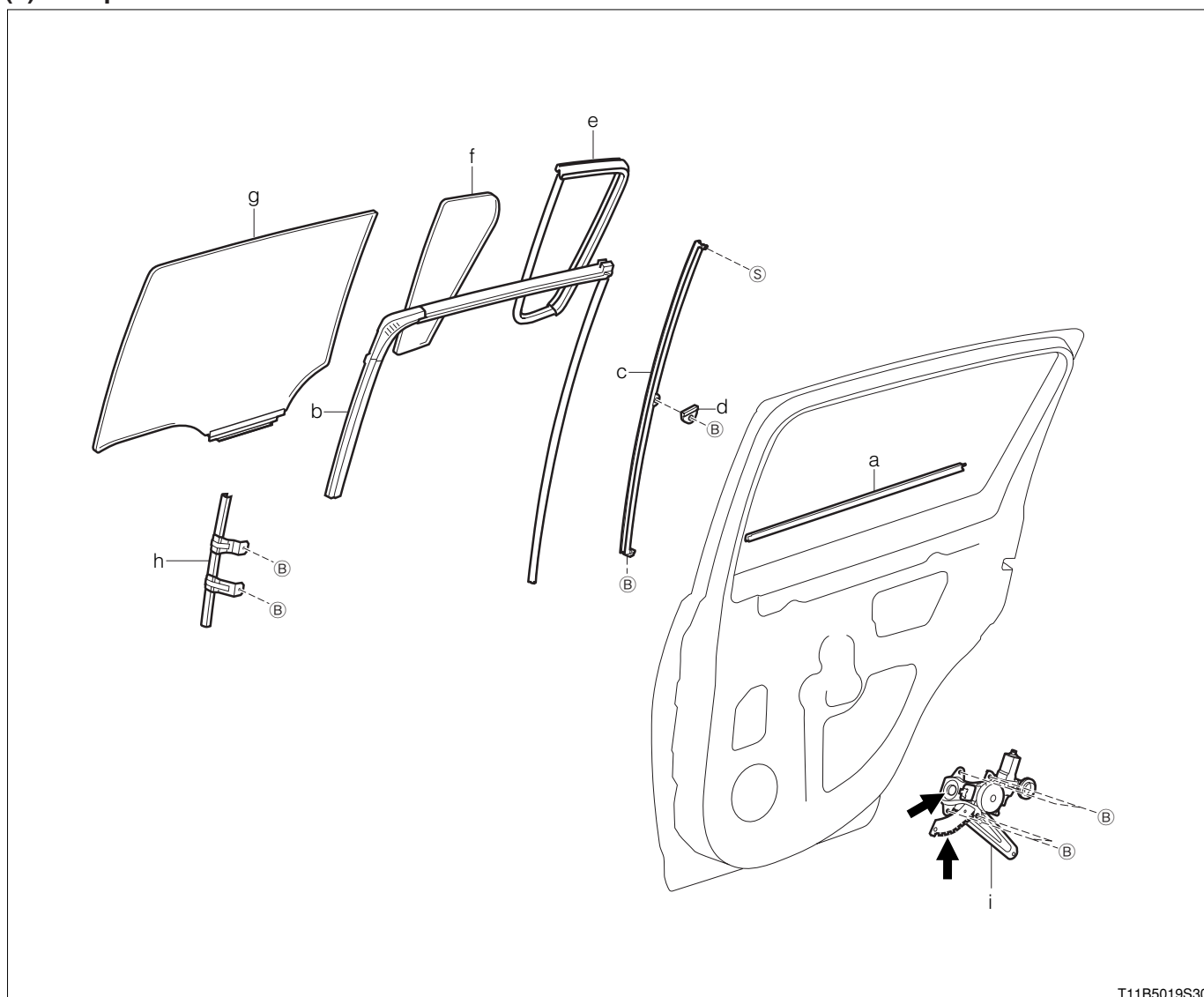
MP grease, Protective tape

6-1-2 OPERATION BEFORE DISASSEMBLY

1. Disconnect the battery negative (−) terminal.
 2. Remove the rear door service hole cover RH.
- Refer to Page I1-15.

6-1-3 DISASSEMBLY AND ASSEMBLY PROCEDURES

(1) Components



T11B5019S30

➔: MP grease

(2) Disassembling procedure

- | | |
|--|--|
| <ol style="list-style-type: none"> 1 a Weather-strip, rear door glass, outer RH/LH 2 b Run, rear door glass, RH/LH 3 c Bar S/A, rear door window division, RH/LH 4 d Spacer, side window frame 5 e Weather-strip, rear door quarter window, RH/LH | <ol style="list-style-type: none"> 6 f Glass, rear door quarter window, RH/LH 7 g Glass S/A, rear door, RH/LH 8 h Guide S/A, rear door window, front RH/LH 9 i Regulator Ay, rear door window, RH/LH |
|--|--|

(3) Assembling procedure

- | | | | | | | | |
|---|---|--|-----------------------------|---|---|---|---------------------------------------|
| 1 | h | Guide S/A, rear door window, front RH/LH | ▲ | 6 | c | Bar S/A, rear door window division, RH/LH | |
| ▲ | 2 | g | Glass S/A, rear door, RH/LH | ▲ | 7 | i | Regulator Ay, rear door window, RH/LH |
| 3 | f | Glass, rear door quarter window, RH/LH | 8 | b | Run, rear door glass, RH/LH | | |
| 4 | e | Weather-strip, rear door quarter window, RH/LH | 9 | a | Weather-strip, rear door glass, outer RH/LH | | |
| 5 | d | Spacer, side window frame | | | | | |

6-1-4 POINTS OF DISASSEMBLY

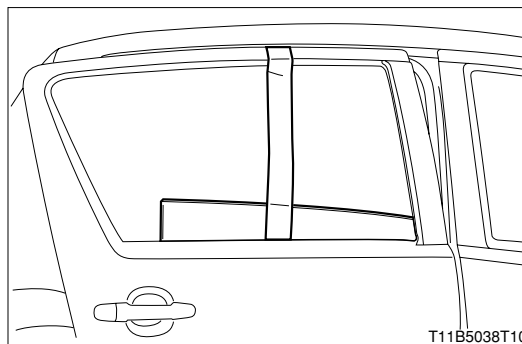
(1) Glass S/A, rear door, RH/LH

1. Apply a protective tape to the door panel flange.
2. Move the glass S/A toward the back of the vehicle and remove it from the RH/LH rear door window regulator Ay.

6-1-5 POINTS OF ASSEMBLY

(1) Glass S/A, rear door, RH/LH

1. Insert the glass S/A inside the door panel. Hang and hold it with a tape.



(2) Bar S/A, rear door window division, RH/LH

1. Place the bar S/A between the RH/LH rear door glass S/A and the RH/LH rear door quarter window weather-strip so that the RH/LH rear door glass S/A will fit in the groove of the bar S/A.

(3) Regulator Ay, rear door window, RH/LH

1. Insert the roller of the regulator Ay into the rail of the RH/LH rear door glass S/A.
2. Install the regulator Ay, while adjusting the height of the RH/LH rear door glass S/A.

6-1-6 OPERATION AFTER ASSEMBLY

1. Install the rear door service hole cover RH.
Refer to Page I1-15.
2. Connect the battery negative (−) terminal.

7 REAR DOOR(LOCK-RELATED)

7-1 DISASSEMBLING AND ASSEMBLING

7-1-1 ARTICLES TO BE PREPARED

Tool

TORX® wrench T30

Lubricant, adhesive, others

MP grease

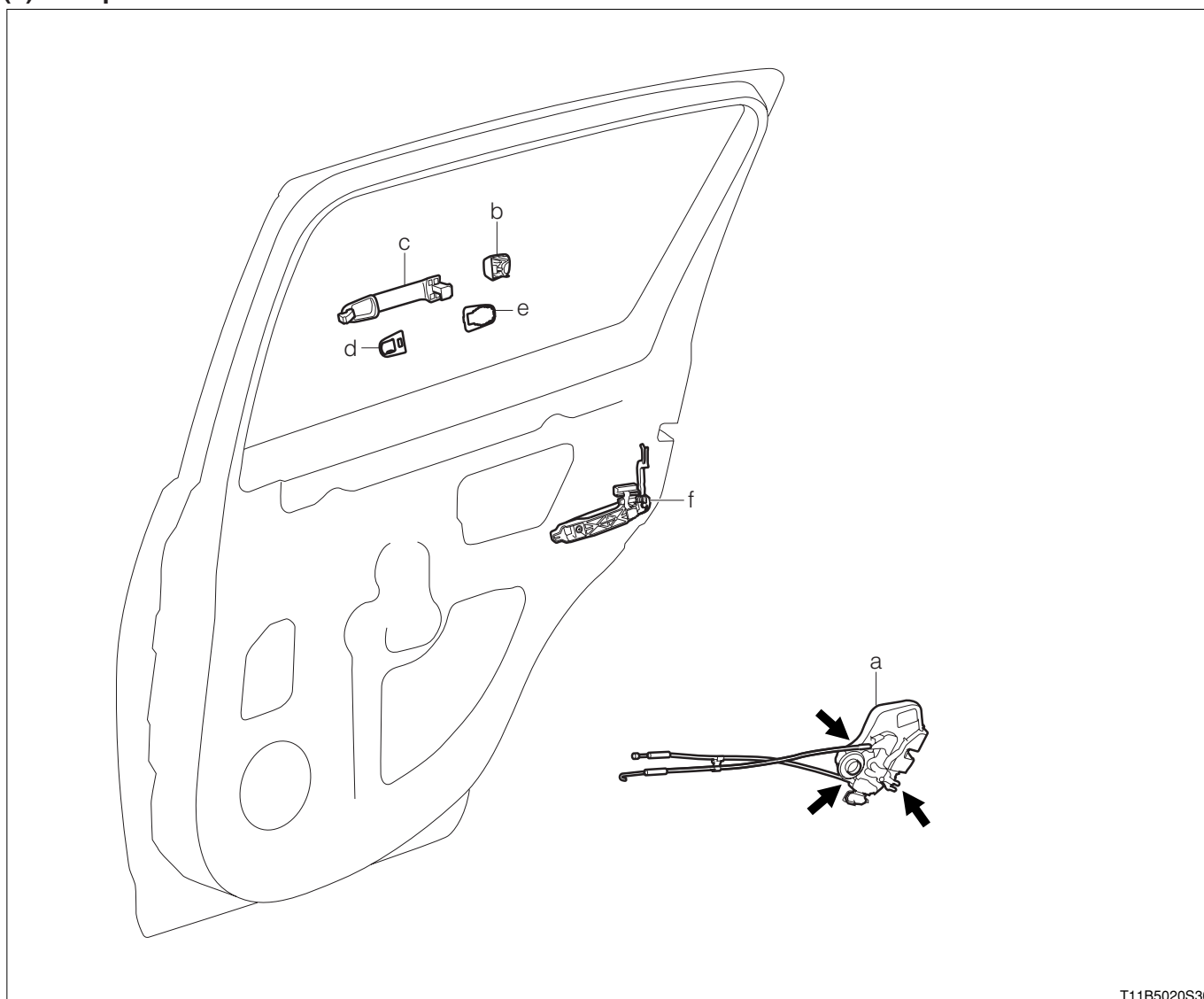
7-1-2 OPERATION BEFORE DISASSEMBLY

1. Disconnect the battery negative (–) terminal.
2. Remove the rear door service hole cover RH.

Refer to Page I1-15.

7-1-3 DISASSEMBLY AND ASSEMBLY PROCEDURES

(1) Components



T11B5020S30

➔: MP grease

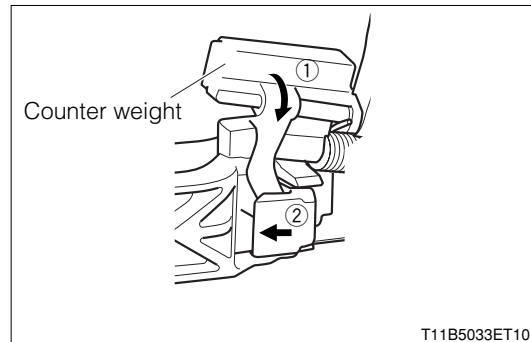
(2) Disassembling and assembling procedures

- 1 a Lock Ay, rear door w/motor, RH/LH
- 2 b Cover, rear door outside handle, RH
- ▲ 3 c Handle, front door, outside RH
- 4 d Pad, front door outside handle
- 5 e Pad, front door outside handle, LH
- 6 f Frame S/A, rear door outside handle, S/A

7-1-4 POINTS OF ASSEMBLY

(1) Handle, front door, outside RH

1. While pushing the counterweight of the RH/LH front door outside handle frame S/A, push the handle toward the front of the vehicle to assemble.



7-1-5 OPERATION AFTER ASSEMBLY

1. Install the rear door service hole cover RH.
Refer to Page I1-15.
2. Connect the battery negative (–) terminal.

8 BACK DOOR

8-1 DISASSEMBLING AND ASSEMBLING

8-1-1 ARTICLES TO BE PREPARED

Tool

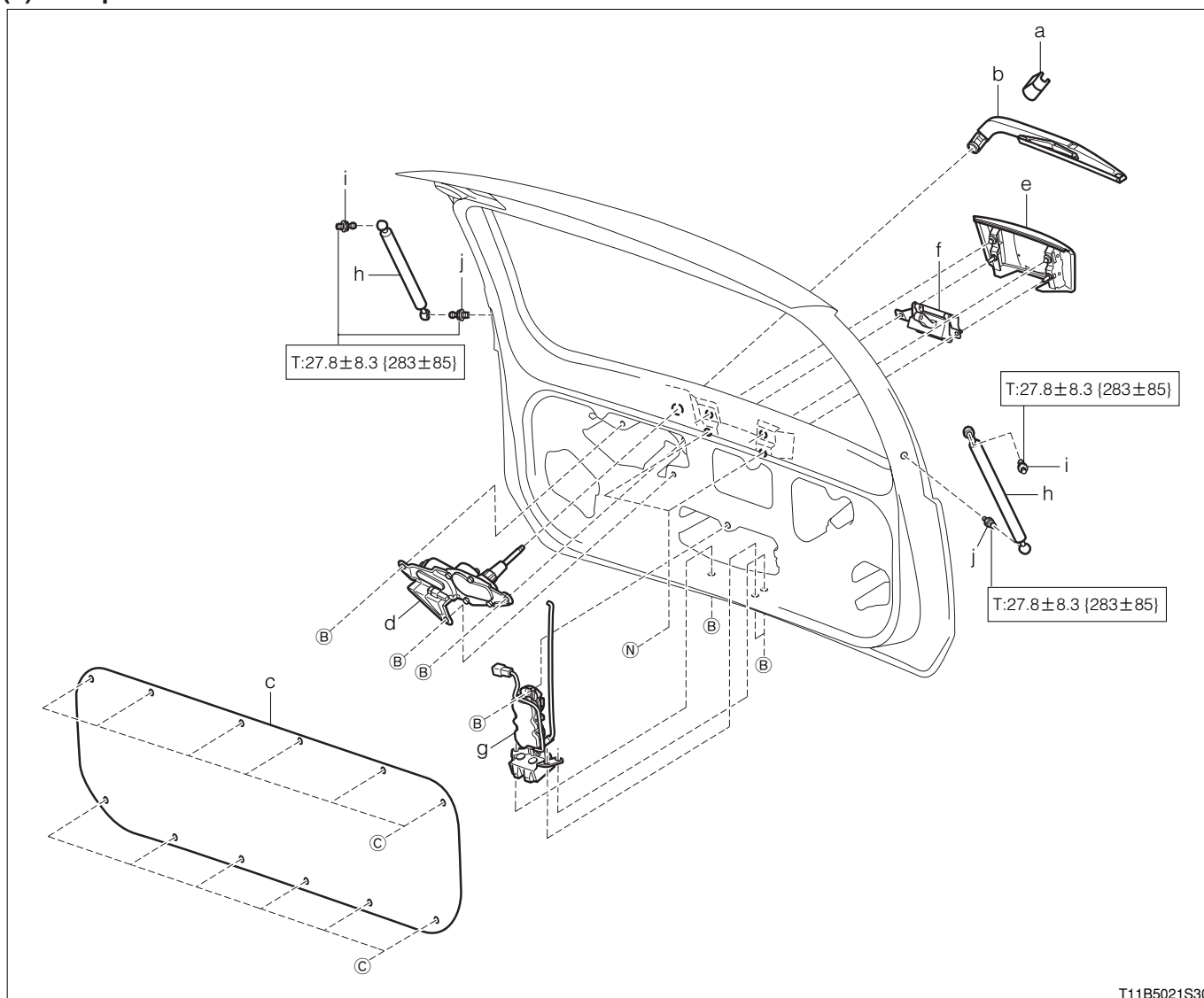
Clip remover

Instrument

Torque wrench

8-1-2 DISASSEMBLY AND ASSEMBLY PROCEDURES

(1) Components



T11B5021S30

Unit:N·m{kgf·cm}

(2) Disassembling and assembling procedures

- | | | | |
|-----|---------------------------------|----|---------------------------------|
| 1 | a Cap, wiper arm head | 6 | f Handle S/A, back door outside |
| ▲ 2 | b Arm & blade Ay, rear wiper | 7 | g Lock Ay, back door |
| 3 | c Panel Ay, back door trim | 8 | h Stay Ay, back door |
| ▲ 4 | d Motor Ay, rear wiper | 9 | i Stud, back door stay |
| 5 | e Cover Ay, door outside handle | 10 | j Bolt, back door stay |

I1-23

8-1-3 POINTS OF ASSEMBLY

(1) Motor Ay, rear wiper

Refer to Page J2-15.

(2) Arm & blade Ay, rear wiper

Refer to Page J2-15.

9 FENDER

9-1 REMOVAL AND INSTALLATION

9-1-1 ARTICLES TO BE PREPARED

Tool

Cutter knife

Lubricant, adhesive, others

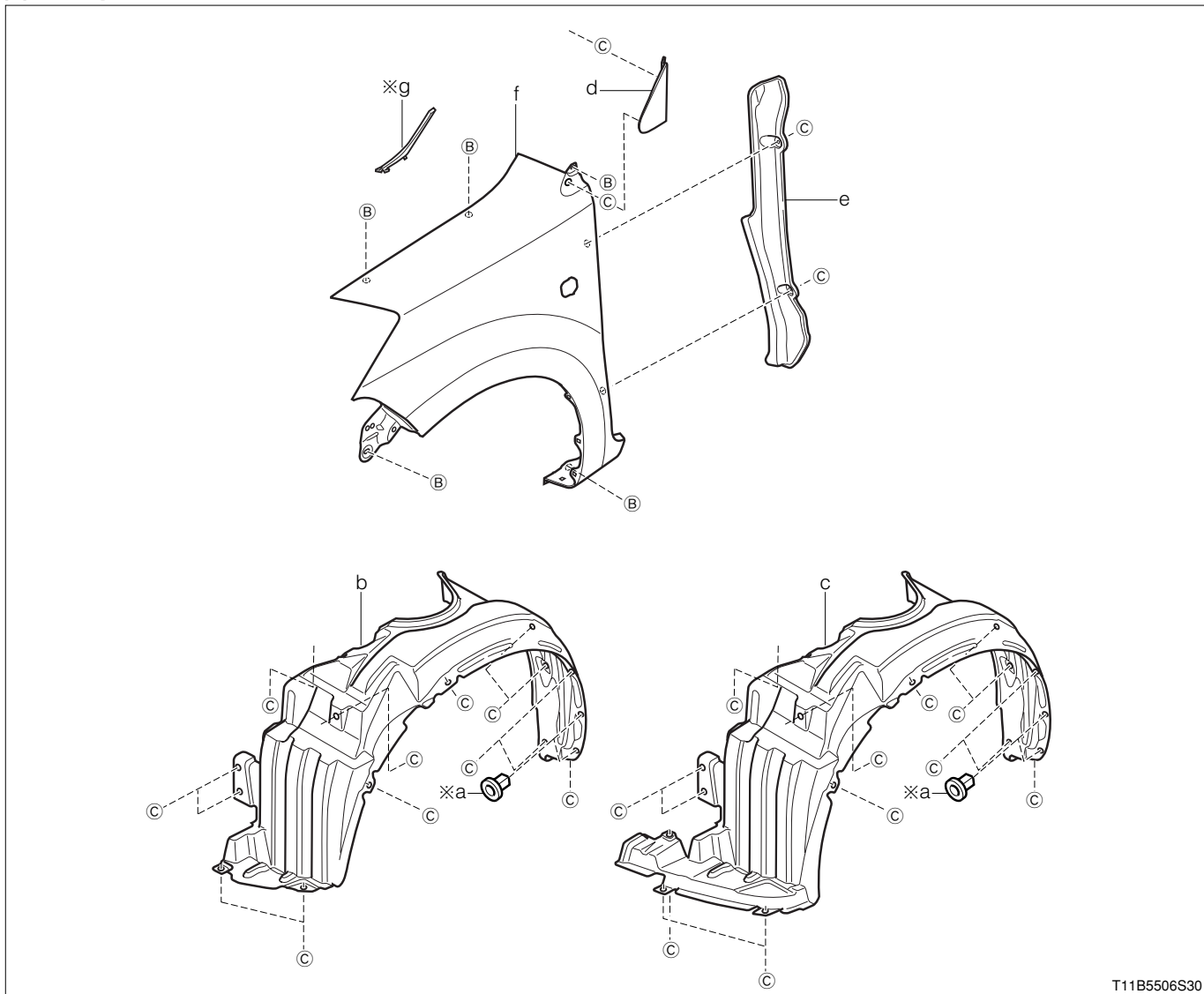
Protective tape

9-1-2 OPERATION BEFORE REMOVAL

1. Remove the front bumper cover.
Refer to Page I2-2.
2. Remove the cowl top ventilator louver RH/LH.
Refer to Page I2-8.
3. Remove the side turn signal lamp Ay.
Refer to Page J1-11.
4. Remove the body rocker panel moulding RH/LH (Side stone guard equipped vehicles).
Refer to Page I2-10.

9-1-3 REMOVAL AND INSTALLATION PROCEDURES

(1) Components



T11B5506S30

※:Non - reusable parts

(2) Removal and installation procedures

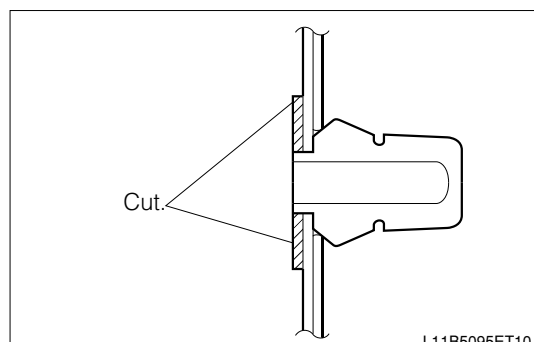
- ▼ 1 a Grommet, screw
- 2 b Liner, front fender, RH/LH (Standard-bumper equipped vehicle)
- 3 c Shield S/A, fender splash, front RH/LH (Aero-bumper equipped vehicle)
- ▼ 4 d Garnish, front pillar, lower RH/LH
- 5 e Protector, front fender side panel, RH/LH
- 6 f Panel, front fender, RH/LH
- 7 g Seal, front fender to cowl side, No.2 RH/LH

9-1-4 POINTS OF REMOVAL

(1) Grommet, screw

1. To remove the grommet, cut off the edge

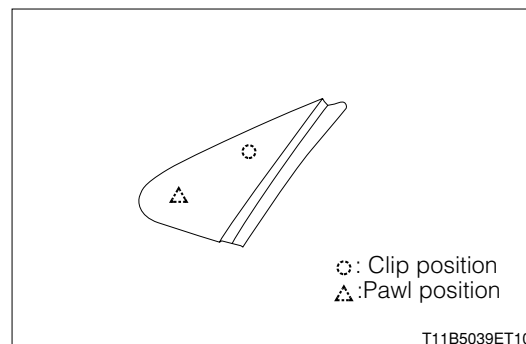
TOOL: Cutter knife



L11B5095ET10

(2) Garnish, front pillar, Lower RH/LH

1. Apply a protective tape to the front fender panel RH/LH.
2. Disengage the pawls and clips to remove.

**9-1-5 OPERATION AFTER INSTALLATION**

1. Install the body rocker panel moulding RH/LH (Side stone guard equipped vehicles).
Refer to Page I2-10.
2. Install the side turn signal lamp Ay.
Refer to Page J1-11.
3. Install the front bumper cover.
Refer to Page I2-2.
4. Install the cowl top ventilator louver RH/LH.
Refer to Page I2-8.

10 HOOD LOCK CONTROL CABLE

10-1 REMOVAL AND INSTALLATION(RHD VEHICLES)

10-1-1 OPERATION BEFORE REMOVAL

1.Remove the front bumper cover.

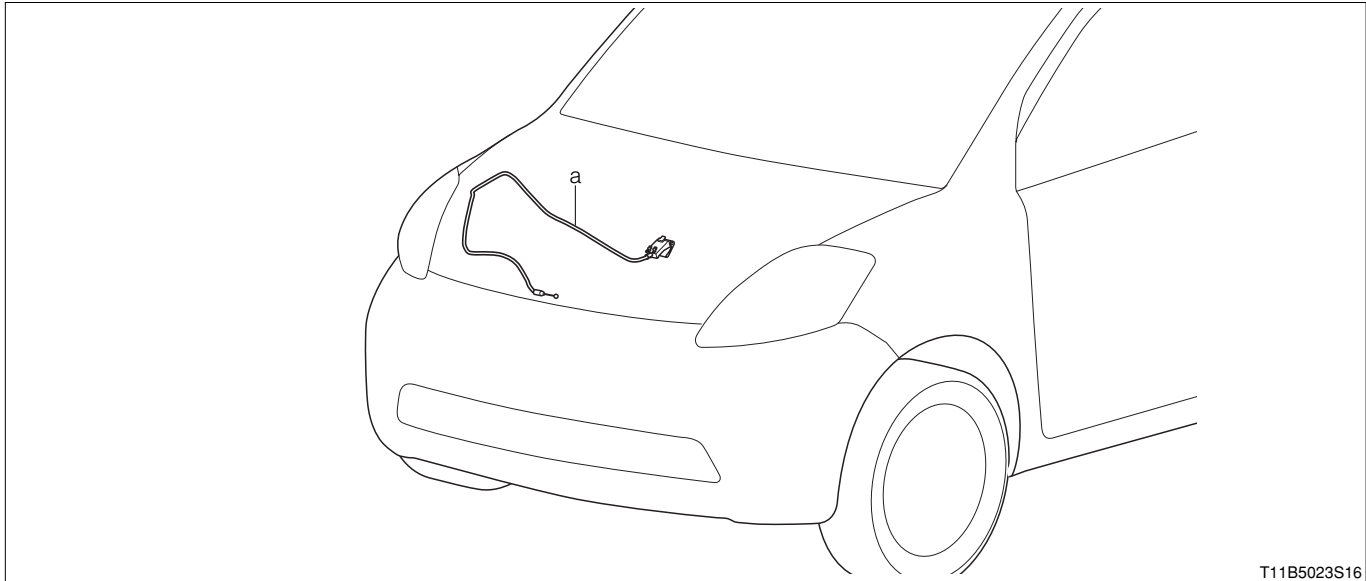
Refer to Page I2-2.

2.Remove the front fender liner RH.

Refer to Page I2-24

10-1-2 REMOVAL AND INSTALLATION PROCEDURES

(1) Components



T11B5023S16

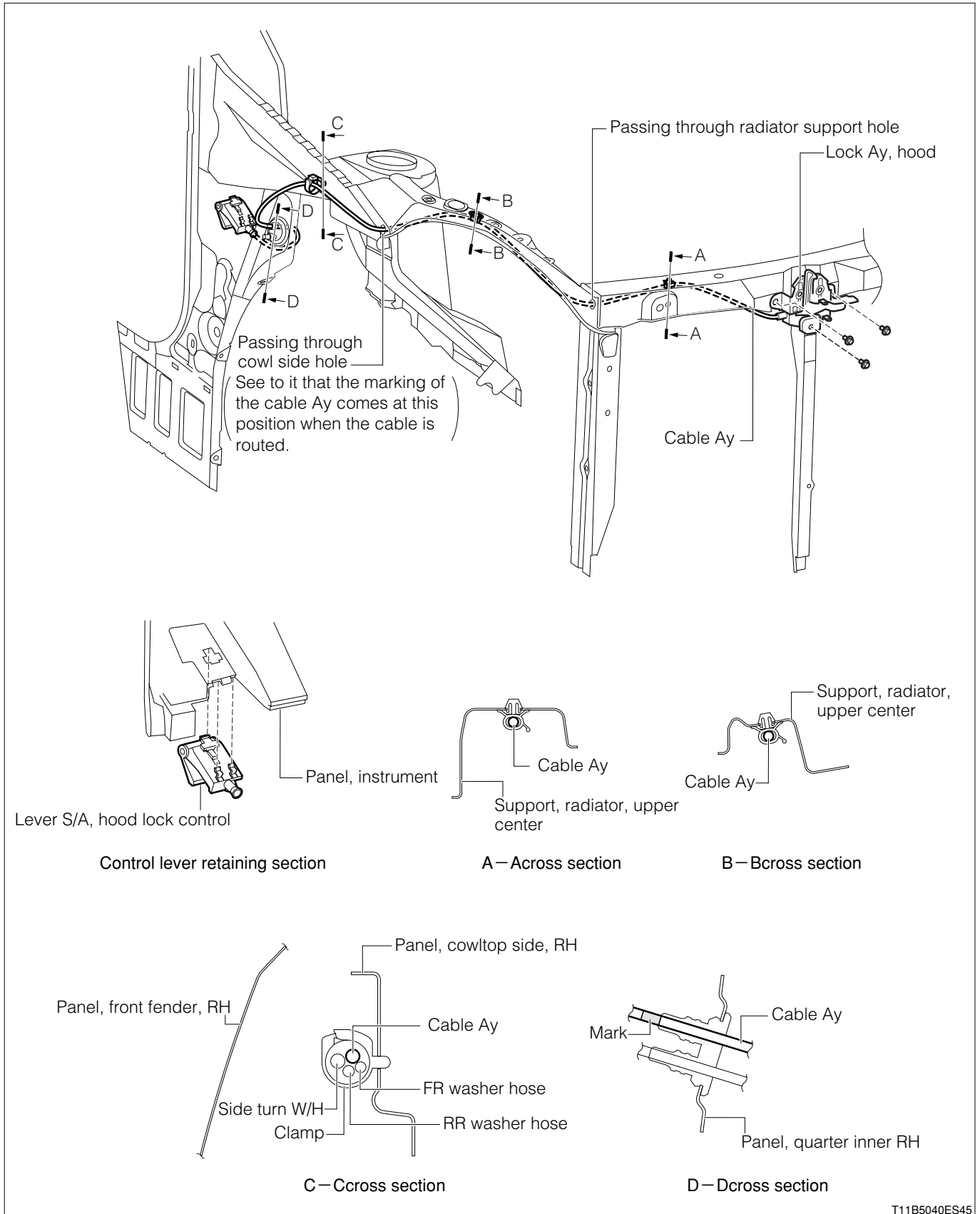
(2) Removal and installation procedures

- ▲ 1 a Cable Ay, hood lock control

10-1-3 POINTS OF INSTALLATION

(1) Cable Ay, hood lock control

1. Perform the installation by referring to the main points given in the figure below.



I1-29

10-1-4 OPERATION AFTER INSTALLATION

1. Install the front fender liner RH.
Refer to Page I1-24.
2. Install the front bumper cover.
Refer to Page I2-2.

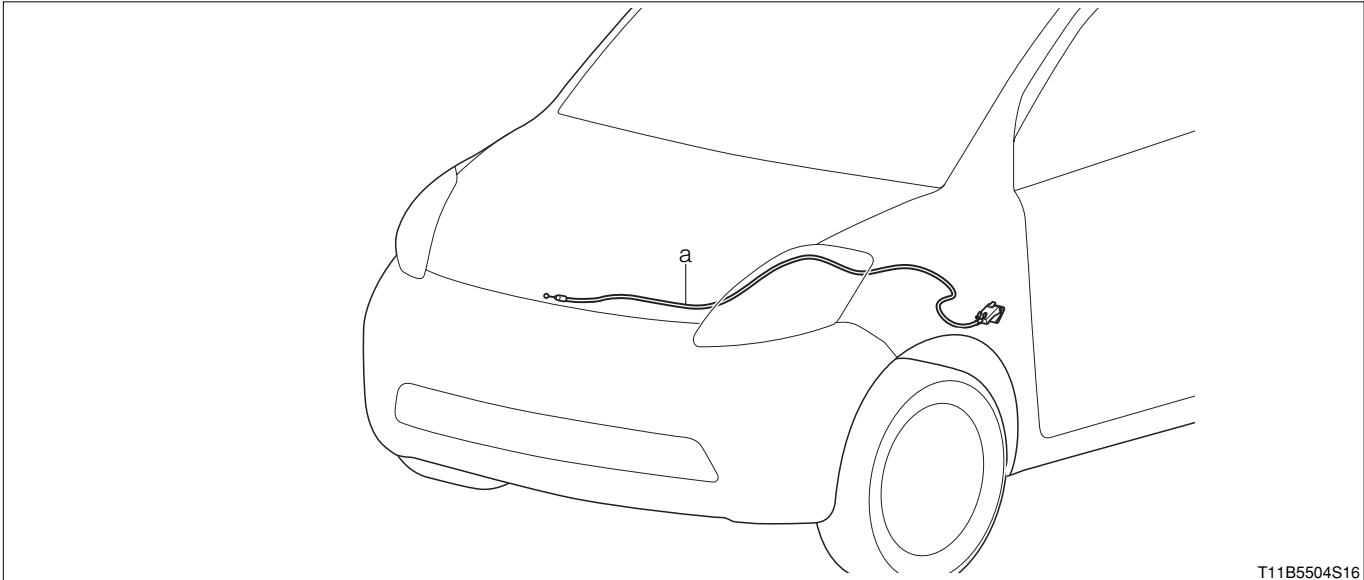
10-2 REMOVAL AND INSTALLATION(LHD VEHICLES)

10-2-1 OPERATION BEFORE REMOVAL

1. Remove the cover front bumper cover.
Refer to Page I2-2.
2. Remove the front fender liner LH.
Refer to Page I1-24.

10-2-2 REMOVAL AND INSTALLATION PROCEDURES

(1) Components



T11B5504S16

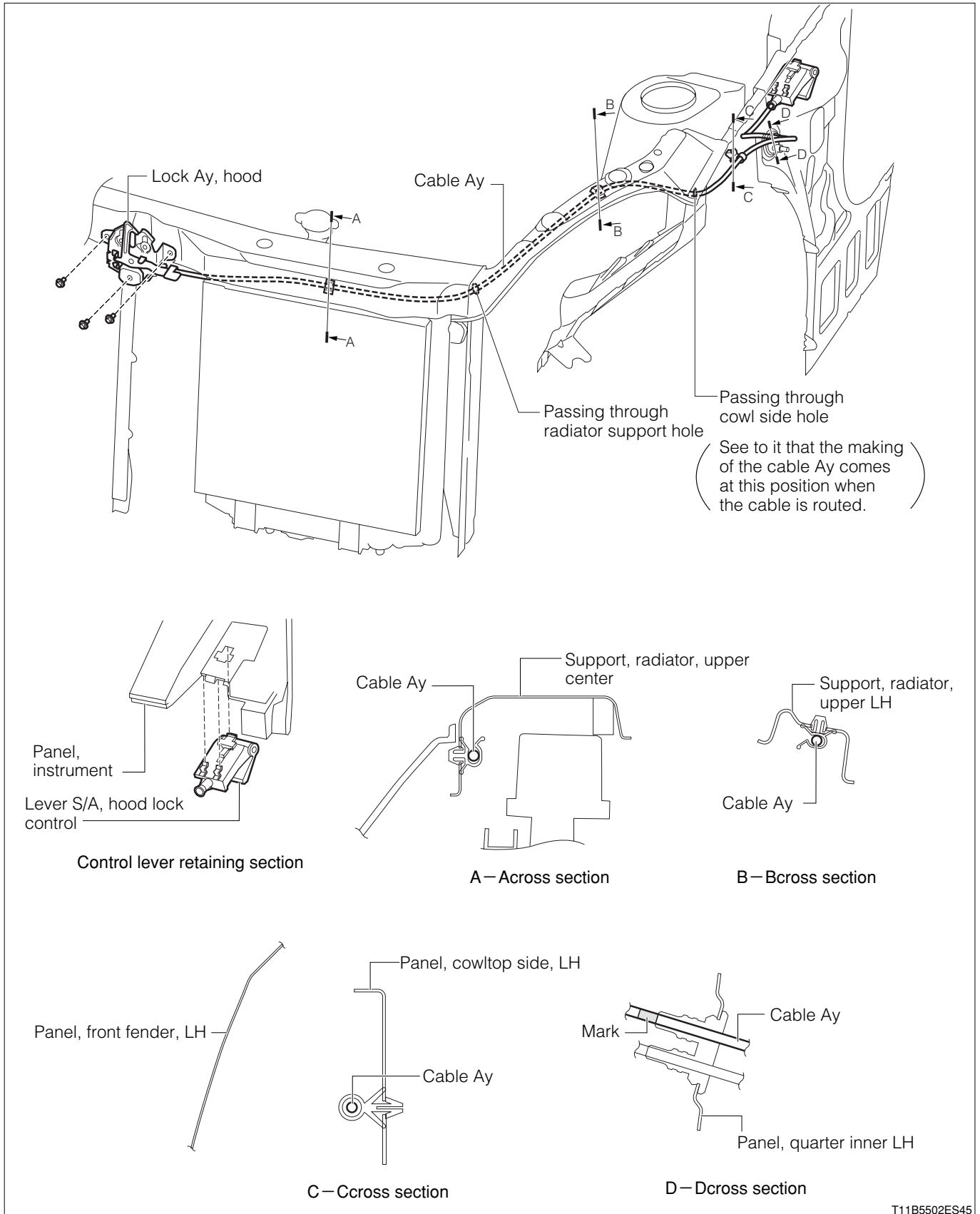
(2) Removal and installation procedures

- ▲ 1 a Cable Ay, hood lock control

10-2-3 POINTS OF INSTALLATION

(1) Cable Ay, hood lock control

1. Perform the installation by referring to the main points given in the figure below.



10-2-4 OPERATION AFTER INSTALLATION

1. Install the front fender liner LH.
Refer to Page I1-24.
2. Install the front bumper cover.
Refer to Page I2-2.

11 FUEL LID CONTROL CABLE

11-1 REMOVAL AND INSTALLATION(RHD VEHICLES)

11-1-1 OPERATION BEFORE REMOVAL

- 1.Remove the front seat Ay RH/LH.
Refer to Page I2-33.

- 2.Remove the rear quarter trim panel Ay LH.
Refer to Page I2-48.

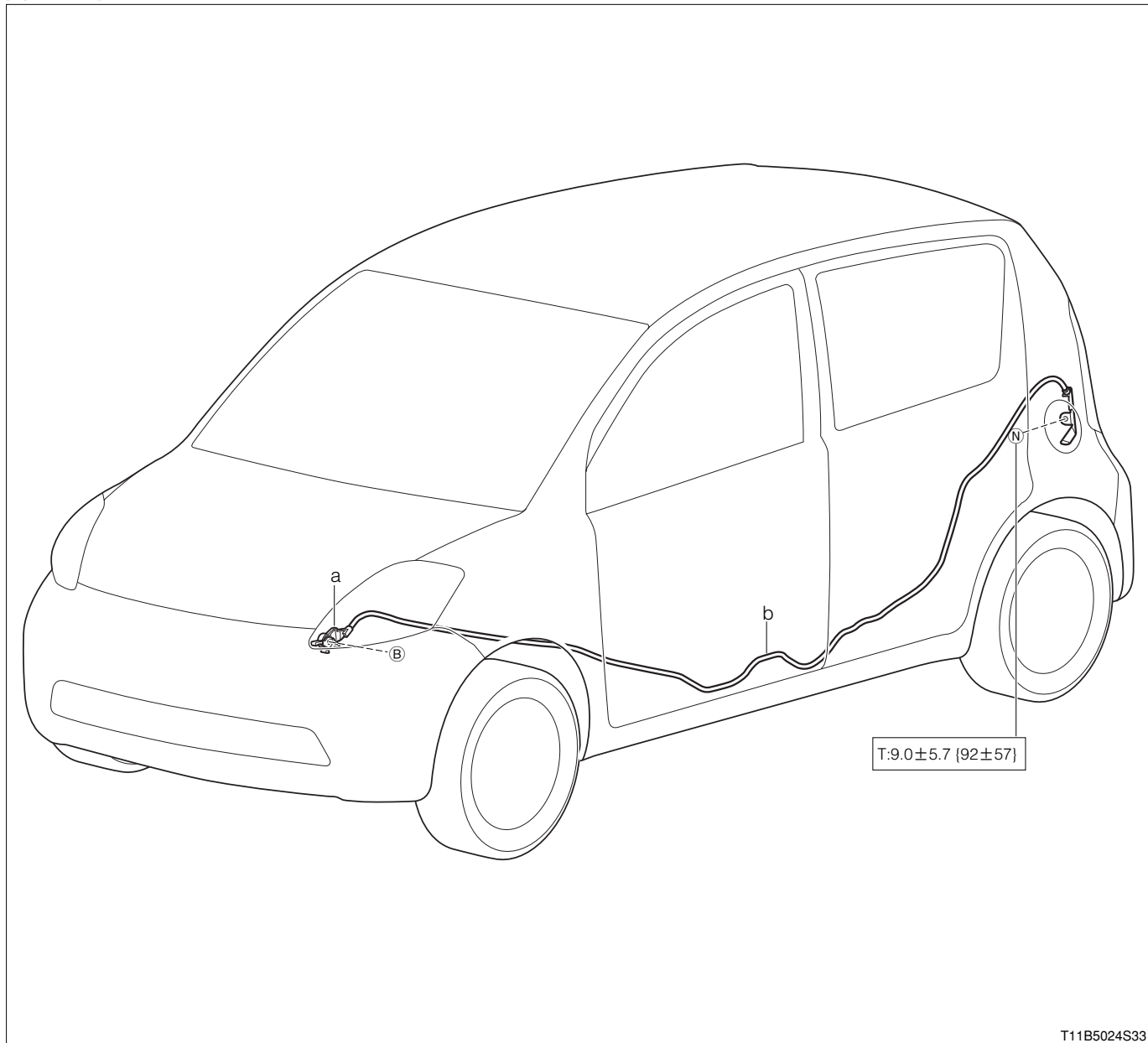
- 3.Remove the rear console box S/A.
Refer to Page I2-31.

- 4.Remove the front console box S/A.
Refer to Page I2-31.

- 5.Remove the front floor carpet Ay (Driver's seat, front passenger's seat, left-rear seat).
Refer to Page I2-57.

11-1-2 REMOVAL AND INSTALLATION PROCEDURES

(1) Components



T11B5024S33

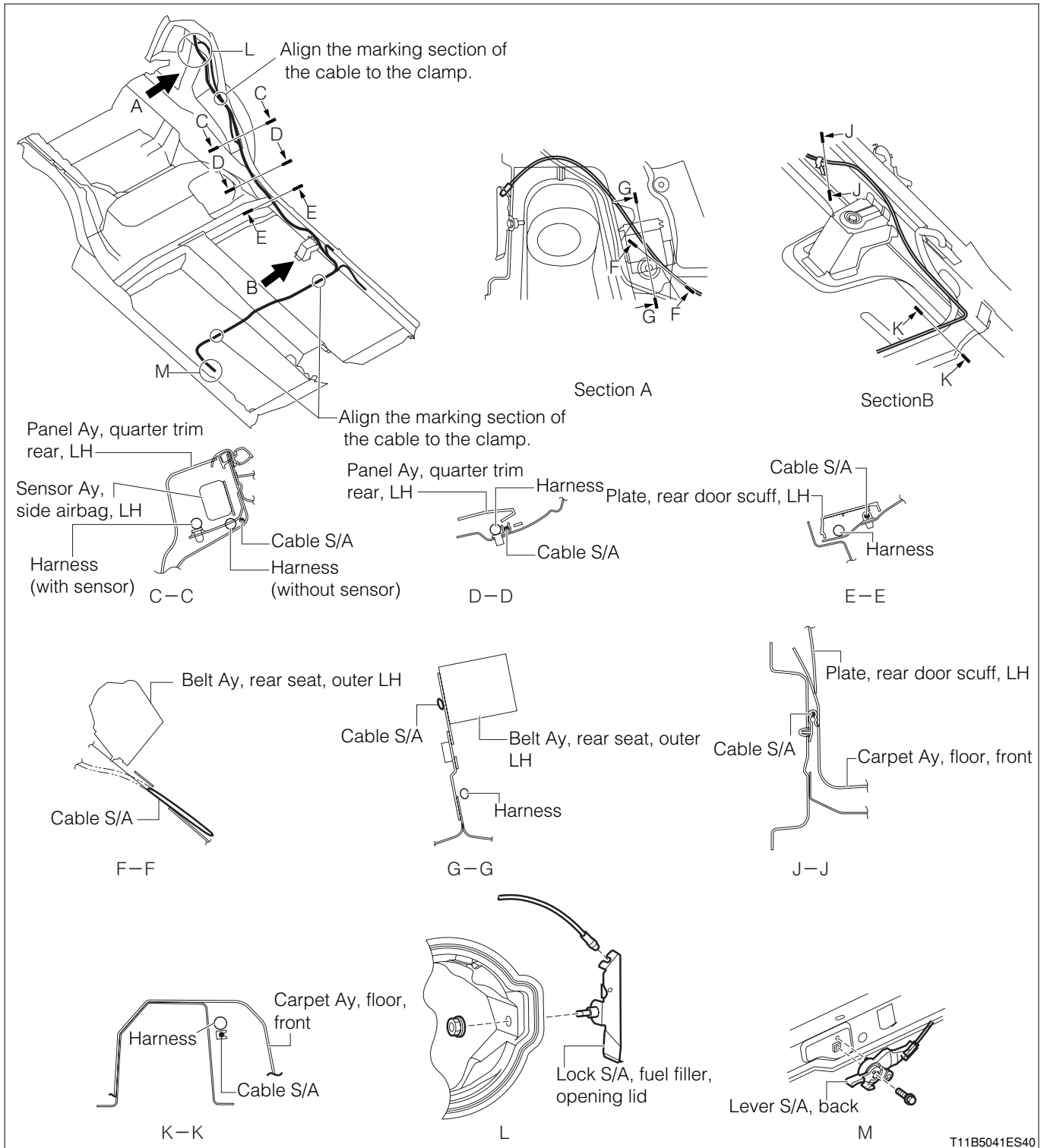
(2) Removal and installation procedures

- 1 a Lever S/A, back door lock open
- ▲ 2 b Cable S/A, fuel lid lock control

11-1-3 POINTS OF INSTALLATION

(1) Cable S/A, fuel lid lock control

1. Perform the installation by referring to the main points given in the figure below.

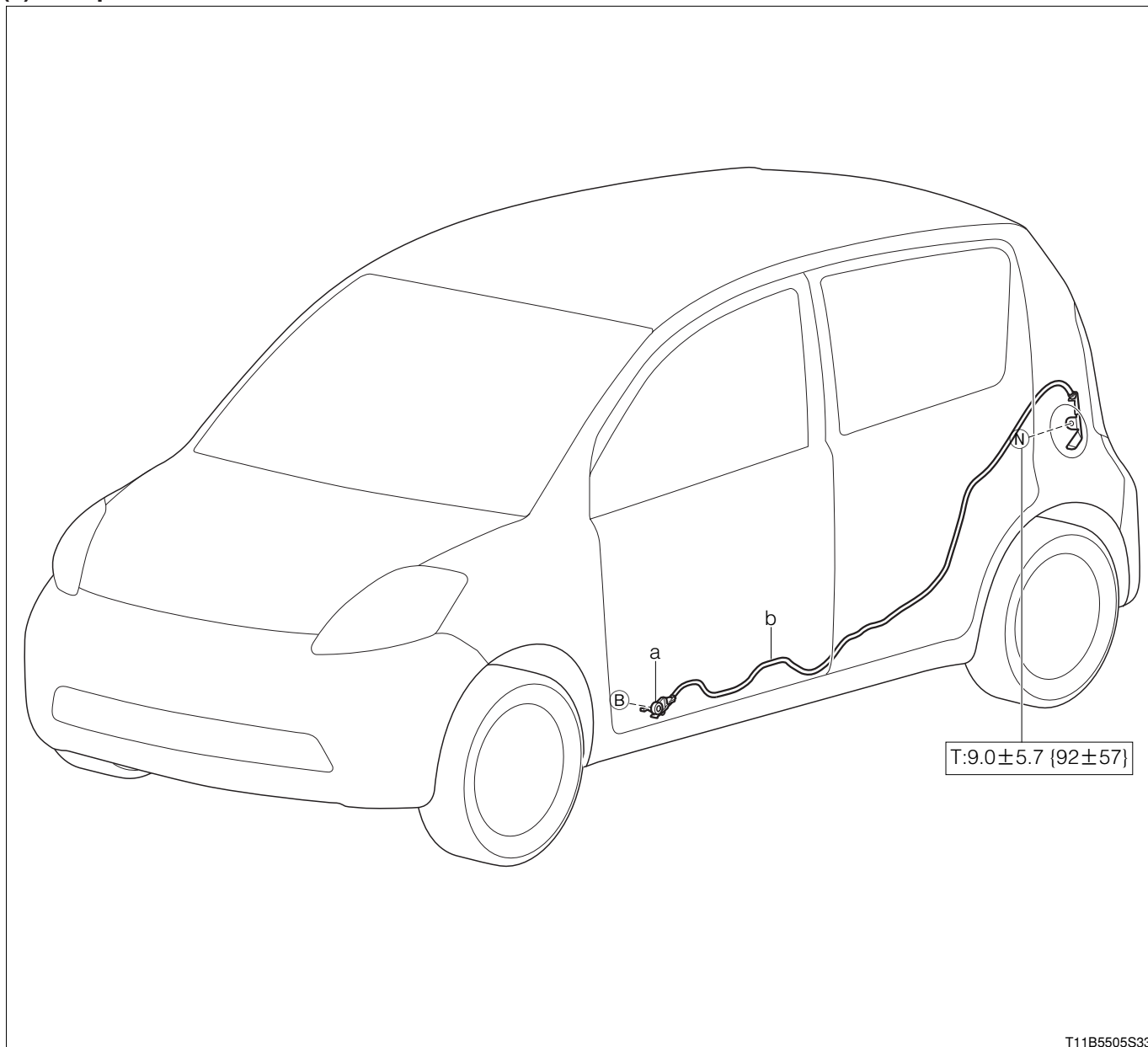


11-1-4 OPERATION AFTER INSTALLATION

1. Install the front floor carpet Ay.
Refer to Page I2-57.
2. Install the front console box S/A.
Refer to Page I2-31.
3. Install the rear console box S/A.
Refer to Page I2-31.
4. Install the rear quarter trim panel Ay LH.
Refer to Page I2-48.
5. Install the front seat Ay RH/LH.
Refer to Page I2-33.

11-2 REMOVAL AND INSTALLATION(LHD VEHICLES)

1. Remove the front seat Ay LH.
Refer to Page I2-33.
2. Remove the rear quarter trim panel Ay LH.
Refer to Page I2-48.
3. Remove the front floor carpet Ay (Driver's seat, left-rear seat).
Refer to Page I2-57.

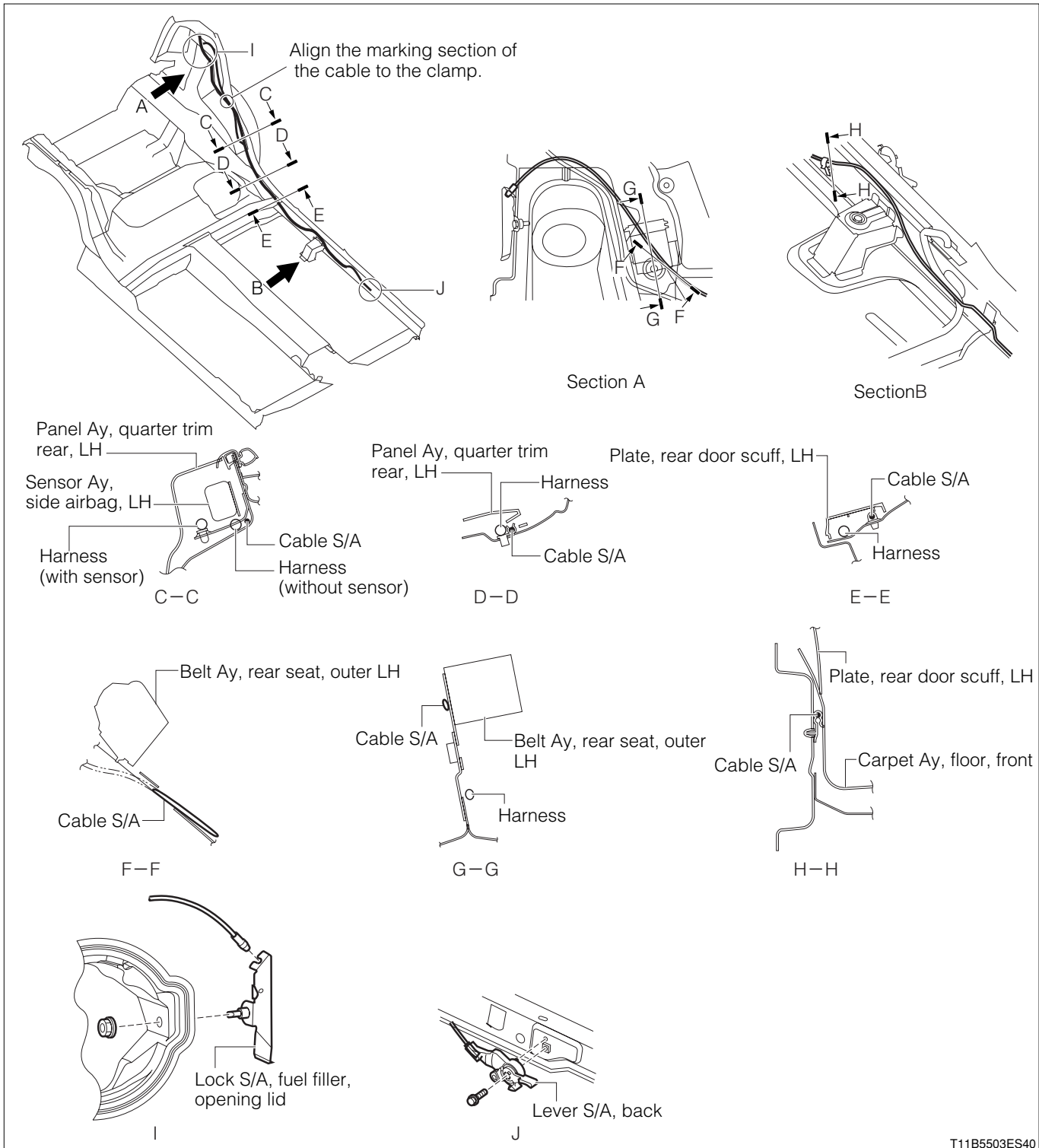
11-2-1 REMOVAL AND INSTALLATION PROCEDURES**(1) Components****(2) Removal and installation procedures**

- 1 a Lever S/A, back door lock open
- ▲ 2 b Cable S/A, fuel lid lock control

11-2-2 POINTS OF INSTALLATION

(1) Cable S/A, fuel lid lock control

1. Perform the installation by referring to the main points given in the figure below.



11-2-3 OPERATION AFTER INSTALLATION

1. Install the front floor carpet Ay.

Refer to Page I2-57.

2. Install the rear quarter trim panel Ay LH.

Refer to Page I2-48.

3. Install the front seat Ay LH.

Refer to Page I2-33.

12 FUEL FILLER OPENING LID

12-1 REMOVAL AND INSTALLATION

12-1-1 ARTICLES TO BE PREPARED

Tool

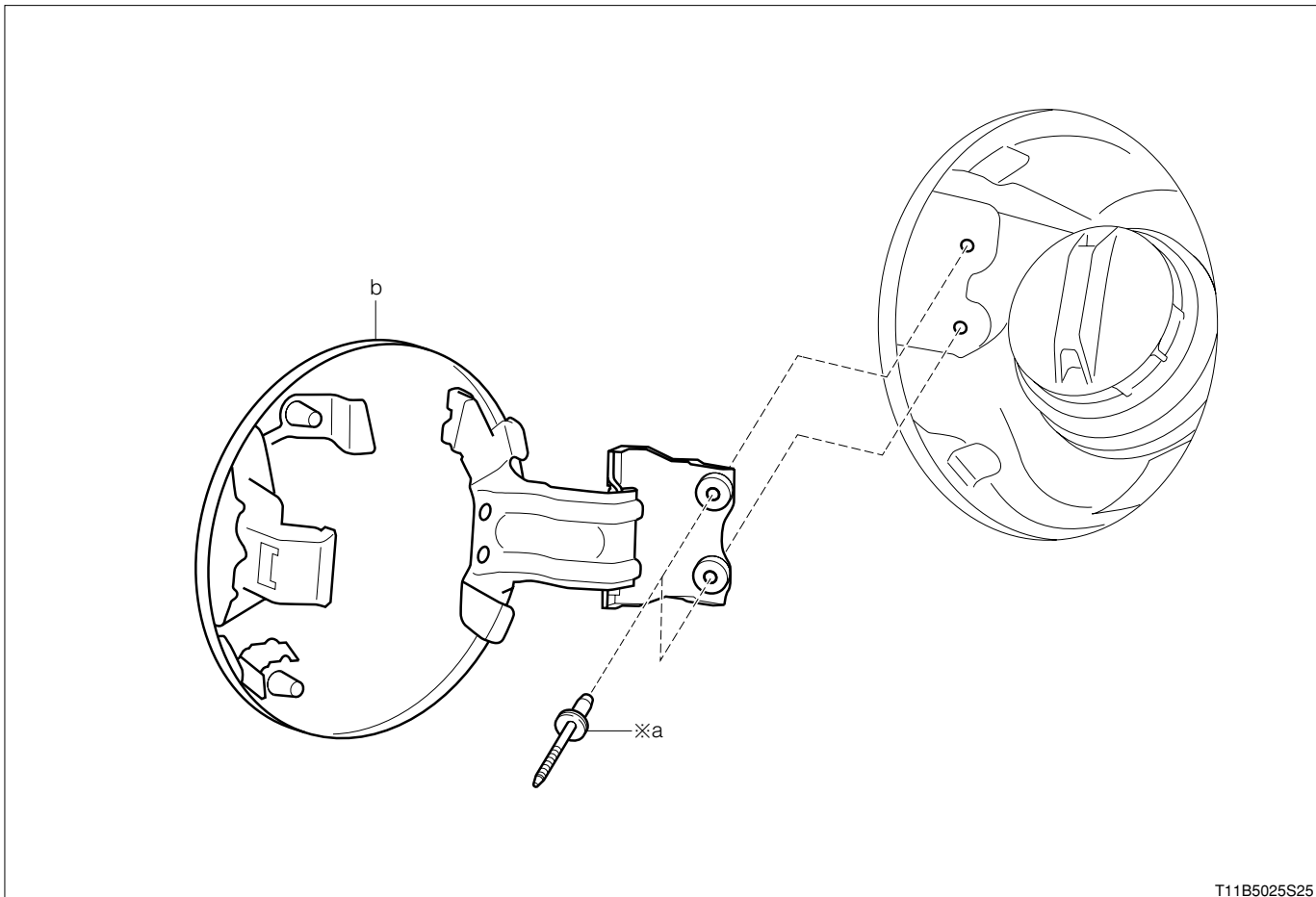
Hand riveter, Drill

12-1-2 OPERATION BEFORE REMOVAL

1. Remove the rear quarter trim panel Ay LH.
Refer to Page I2-482.

12-1-3 REMOVAL AND INSTALLATION PROCEDURES

(1) Components



※:Non - reusable parts

(2) Removal and installation procedures

- 1 a Rivet
- ▼ ▲ 2 b Lid Ay, fuel filler opening.

12-1-4 POINTS OF REMOVAL

(1) Lid Ay, fuel filler opening

1. Secure the rivet with a tape, butyl tape, etc. from the inside of the vehicle so that the removed rivet may not fall down to the locker section.

CAUTION

- When the head section of the rivet is removed, be sure to secure it so that the rivet may not fall down to the locker section.

2. Apply a protective tape or cloth to prevent the lid Ay from being damaged.

3. Lightly apply a drill to the rivet vertically. Then, grind the flange section of the rivet, using the drill.

WARNING

- Wear safety glasses to protect your eyes from iron powder or the like during the operation.

CAUTION

- Be careful not to damage the lid Ay area.

TOOL:

4. After the flange section of the rivet has been removed, stop the drilling operation. Then, remove the remaining fragments of the rivet, using pliers or the like.

WARNING

- The rivet is very hot, when removed.

12-1-5 POINTS OF INSTALLATION

(1) Lid Ay, fuel filler opening

1. Select a nose piece with the minimum diameter for which the mandrel of the rivet can be inserted.

CAUTION

- Any wrong selection of the nose piece will cause improper rivet tightening and malfunctions of riveter.

2. Mount the nose piece to the hand riveter and insert the mandrel section of the rivet into the nose piece.

NOTE

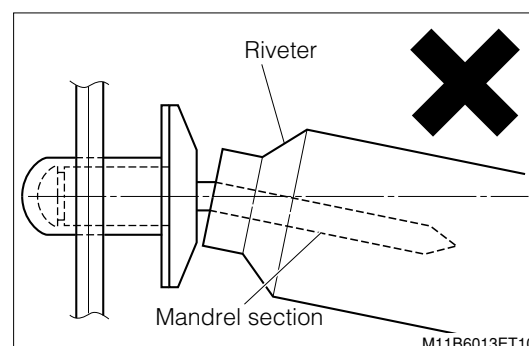
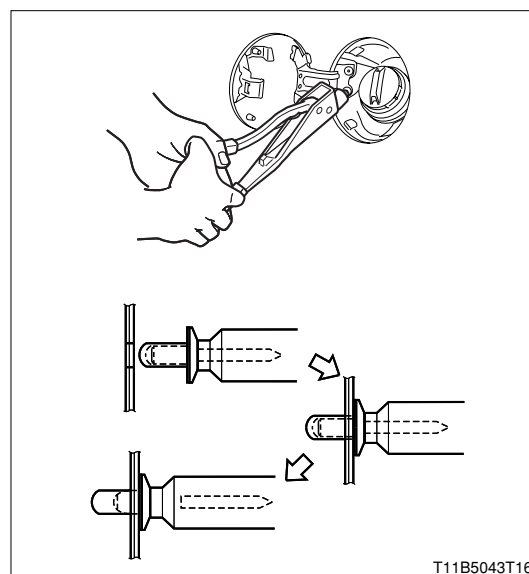
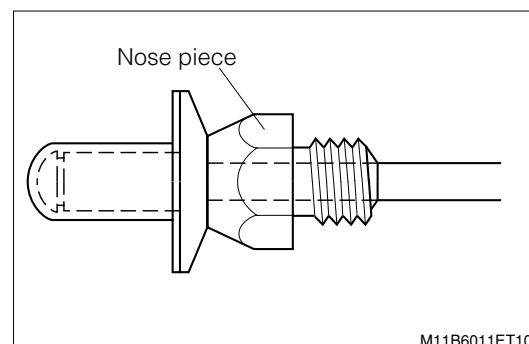
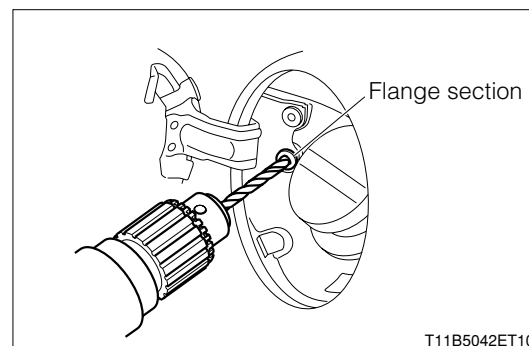
- Part number of rivet: 90042-69027-000

3. With the rivet applied strongly and vertically to the installation hole, operate the hand riveter to install the rivet.

TOOL: Hand riveter

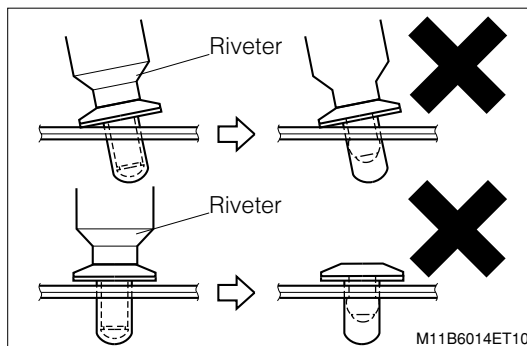
CAUTION

- Be careful not to damage the lid Ay area.
- In cases where the rivet has not been tightened by one riveter operation (the mandrel has not been cut), repeat the operation again.
- If the operation is performed by prying during the hand riveter operation, the mandrel section of the rivet will be bent, leading to improper rivet tightening and malfunctions of the hand riveter.



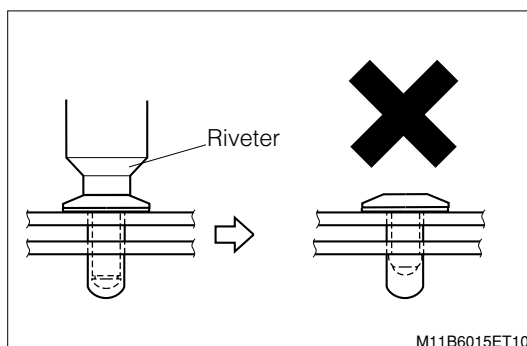
CAUTION

- If the hand riveter is operated with the rivet tilted or floating, it will lead to improper rivet tightening.



CAUTION

- If the rivet is installed without press-fitting the installation parts, it will lead to improper rivet tightening.



12-1-6 OPERATION AFTER INSTALLATION

1. Install the rear quarter trim panel Ay LH.
Refer to Page I2-48.