

F SERVICE DATA

BODY ----- F - 1
 BASIC CHECK AND ADJUSTMENT ---- F - 1
SILENT SHEET ----- F - 8
 REPLACEMENT ----- F - 8
 FORMED URETHANE----- F - 9
 FILLING SECTION ----- F - 9
FRONT SUSPENSION ----- F - 10
 FRONT WHEEL ALIGNMENT ----- F - 10
REAR SUSPENSION ----- F - 10
 REAR WHEEL ALIGNMENT ----- F - 10

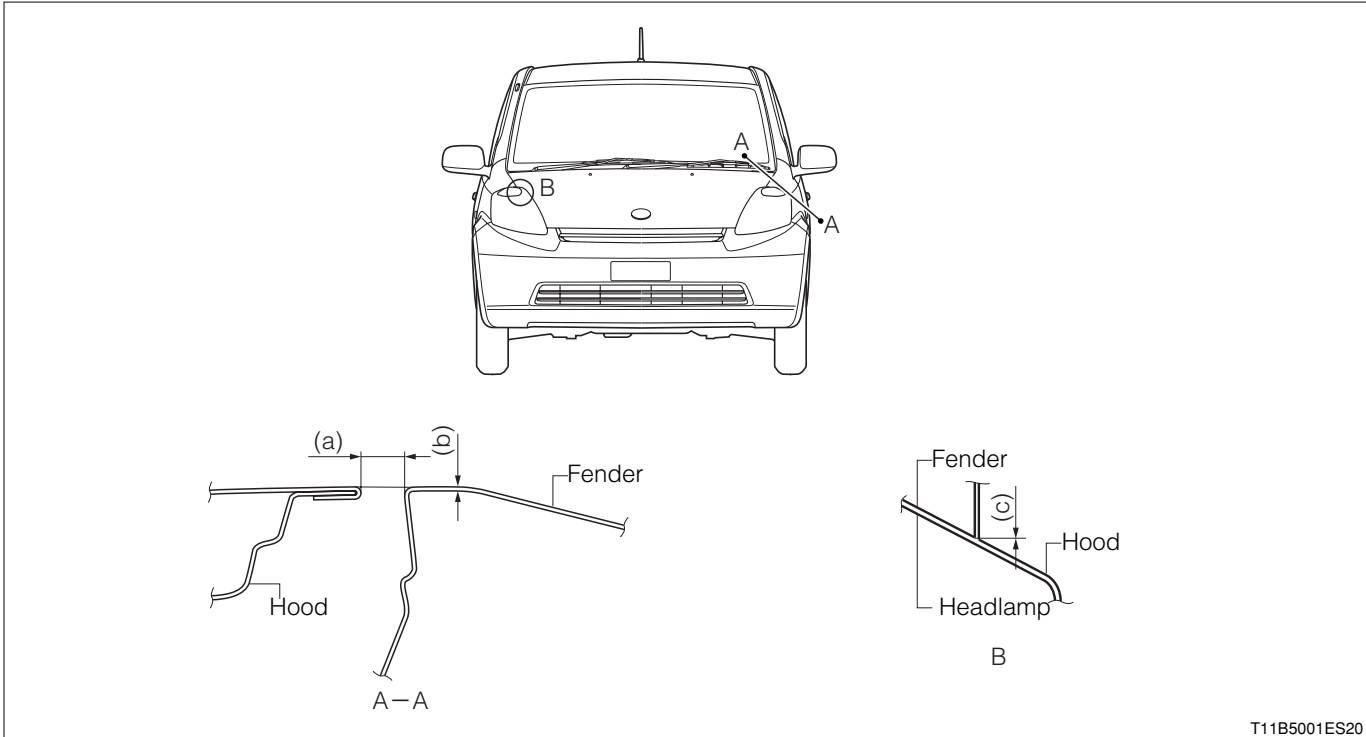
1 BODY

1-1 BASIC CHECK AND ADJUSTMENT

1-1-1 FITTING ADJUSTMENT

(1) Hood

① Fitting dimensions



T11B5001ES20

Fitting dimensions of hood panel

Measuring point		Specified gap (a)	Difference in height (b)	Flatness (c)	Difference between right and left	Deviation value
A - A	Hood X Front fender	3.5 ± 1.5	0 ± 1.5	-	Not to exceed 1.5	Not to exceed 1.5
B	Hood end	-	-	0 ± 1.5	Not to exceed 1.5	-

Unit : mm

② Fitting adjustment

a. Adjustment of the hood in longitudinal direction, and in lateral direction at the rear end

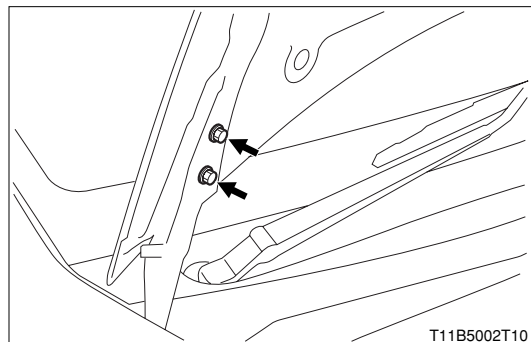
1. Loosen the hood hinge bolts to adjust.

CAUTION

- Since the centering bolt is used, adjustment must be done only after the centering bolt is replaced with the supplied bolt.

NOTE

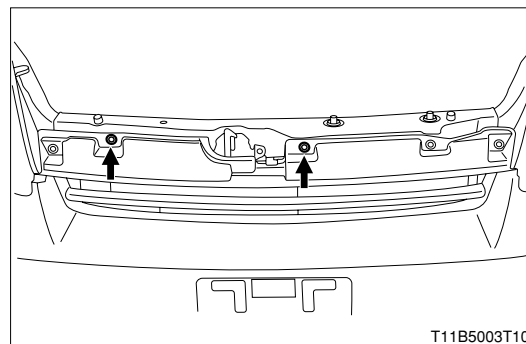
- Part number of bolt: 91631-60614-000



T11B5002T10

b. Adjustment of the hood in vertical and lateral direction at the front end

1.Remove two clips on the front bumper cover and pull the hood lock area of the front bumper cover to provide a gap for the tool.



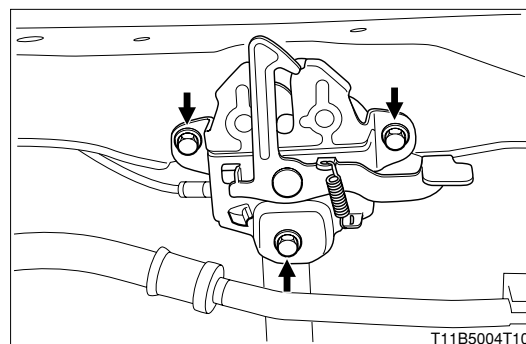
2.Loosen the hood lock bolt prior to adjustment.

CAUTION

- In cases where the centering bolt has been used, replace it with a bolt supplied for adjustment use in advance.

NOTE

- Part number of bolt:91511-G0612-000



(2) Front & rear door

① **Articles to be prepared**

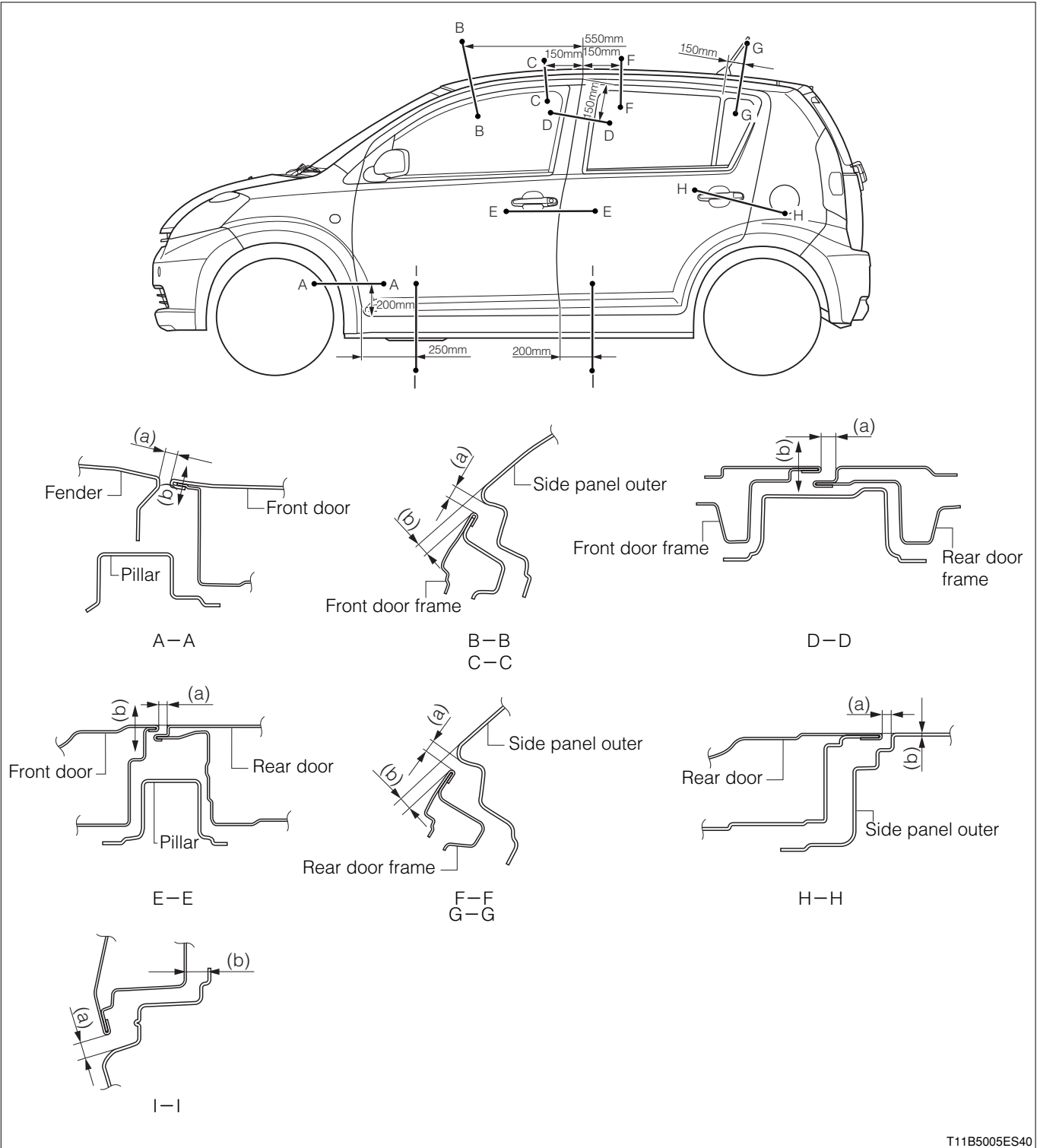
SST

Shape	Part No.	Part name
	09812-00010-000 (09812-22010-000)	Wrench door hinge set bolt

Tool

Long TORX® wrench T40

② Fitting dimensions



Fitting dimensions of door

Measuring point		Specified gap (a)	Difference in height (b)	Difference between right and left	Deviation value
A - A	Front door X Front fender	4.2 ± 1.2	0 ± 1.5	-	Not to exceed 1.5
B - B	Front door X Side panel	4.8 ± 1.5	-3.7 ± 1.5	-	Not to exceed 1.5
C - C	Front door X Side panel	4.8 ± 1.5	-3.8 ± 1.5	-	Not to exceed 1.5
D - D	Front door X Rear door	4.2 ± 1.2	0 ± 1.5	Not to exceed 1.5	Not to exceed 1.5
E - E	Front door X Rear door	4.2 ± 1.2	0 ± 1.5	-	Not to exceed 1.5
F - F	Rear door X Side panel	4.8 ± 1.5	-3.5 ± 1.5 (Side panel reference)	-	Not to exceed 1.5
G - G	Rear door X Side panel	4.8 ± 1.5	-3.1 ± 1.5 (Side panel reference)	-	Not to exceed 1.5
H - H	Rear door X Quarter panel	4.2 ± 1.2	0 ± 1.5 (Rear door reference)	-	Not to exceed 1.5
I - I	Front/Rear door X Rocker panel	6.0 ± 1.5	-	-	Not to exceed 2.0

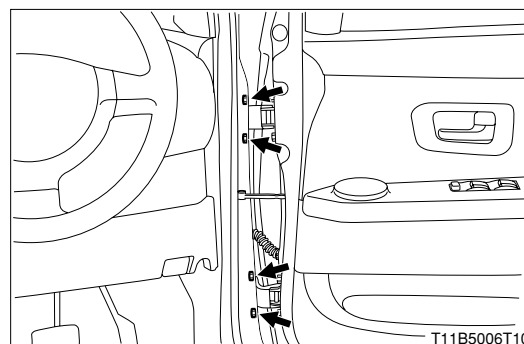
Unit : mm

③ Fitting adjustment (Front door)

c. Adjustment of the door at the rear end, and in vertical and lateral directions

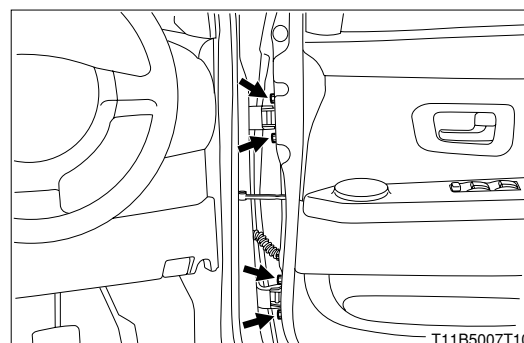
1. Loosen the bolt on the pillar side with the SST and perform adjustment.

SST: 09812-00010-000



d. Adjustment of the door in vertical direction, and in lateral direction at the front end

1. Loosen the bolt on the door side to adjust.

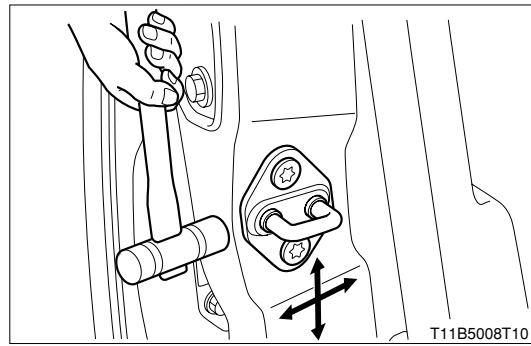


e. Adjustment of the door in longitudinal and lateral directions and the front door lock striker

1. Loosen the striker mounting screw until the striker gets loose.

TOOL: Long TORX® wrench T40

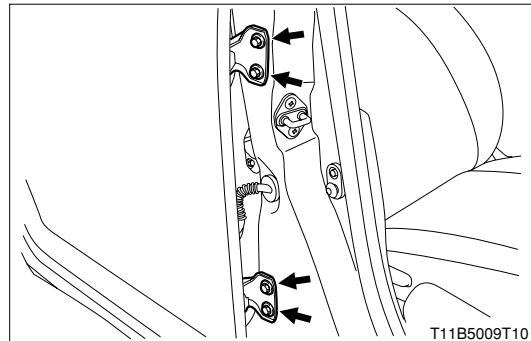
2.Adjust the striker by tapping lightly.



④ Fitting adjustment (Rear door)

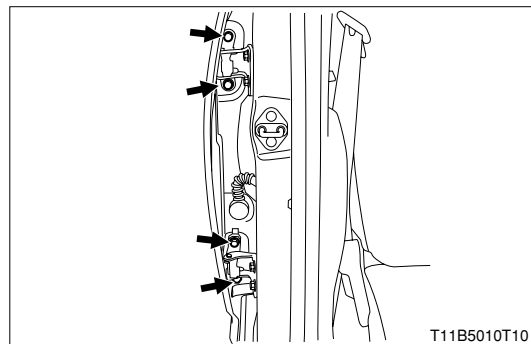
f. Adjustment of the door at the rear end, and in vertical and lateral directions

1.Loosen the bolt on the pillar side to adjust.



g. Adjustment of the door in vertical direction, and lateral direction at the door front end

1.Loosen the bolt on the door side to adjust.

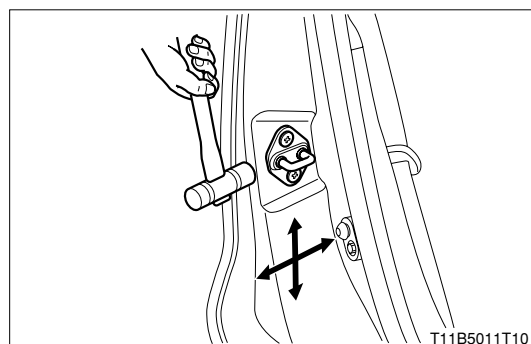


h. Adjustment of the door in longitudinal and lateral directions and the rear door lock striker.

1.Loosen the striker mounting screw until the striker gets loose.

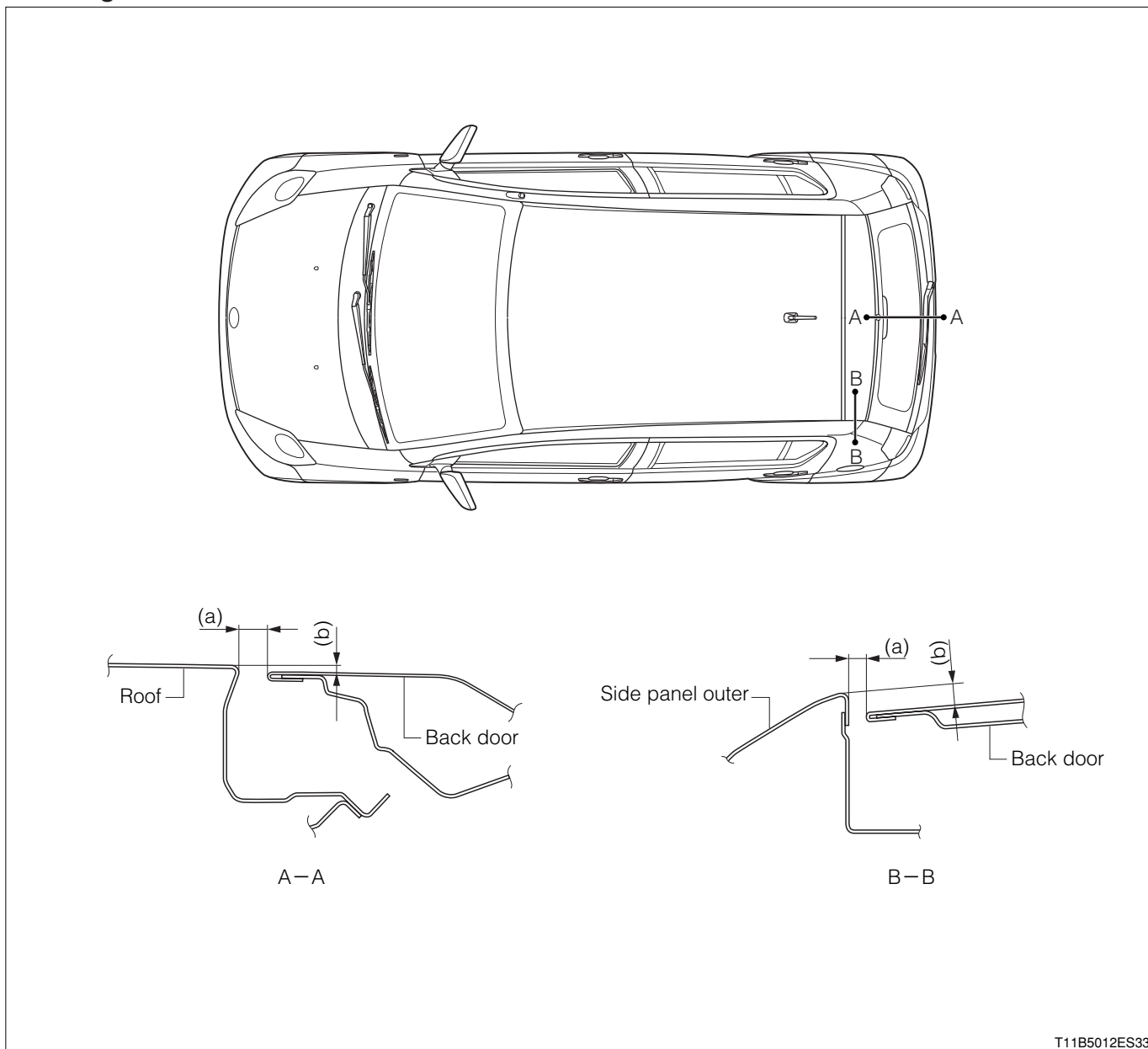
TOOL: Long TORX® wrench T40

2.Adjust the striker by tapping lightly.



(3) Back door

① Fitting dimensions



T11B5012ES33

Fitting dimensions of back door

Measuring point		Specified gap (a)	Difference in height (b)	Difference between right and left	Deviation value
A - A	Back door X Roof	7.5 ± 1.5	-1.0 ± 1.6	-	Not to exceed 1.5
B - B	Back door X Quarter panel	5.0 ± 1.5	9.8 ± 1.5	Not to exceed 1.5	-

Unit : mm

② Fitting adjustment

i. Adjustment of the back door in vertical and lateral directions at the upper end

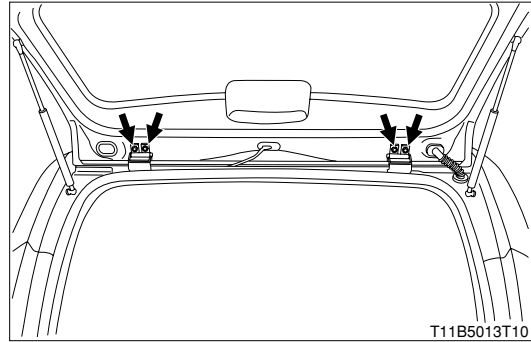
1. Loosen the hinge mounting bolt on the door side before the adjustment.

CAUTION

- Since the centering bolt is used, adjustment must be done only after the centering bolt is replaced with the supplied bolt.

NOTE

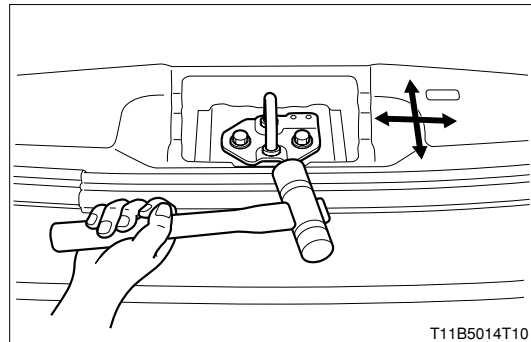
- Part number of bolt: 91651-40816-000



j. Adjustment of the back door in longitudinal direction and the back door lock striker

1. Loosen the striker mounting screw until the striker gets loose.

2. Adjust the striker by tapping lightly.



1-1-2 CHECK THE FRAME AND THE BODY FOR ANY LOOSENING AND DAMAGE

1. Check the conditions of the tightening bolts, nuts and rivets for the frames and cross members with a spanner.

SPECIFIED VALUE: There shall be no loosening.

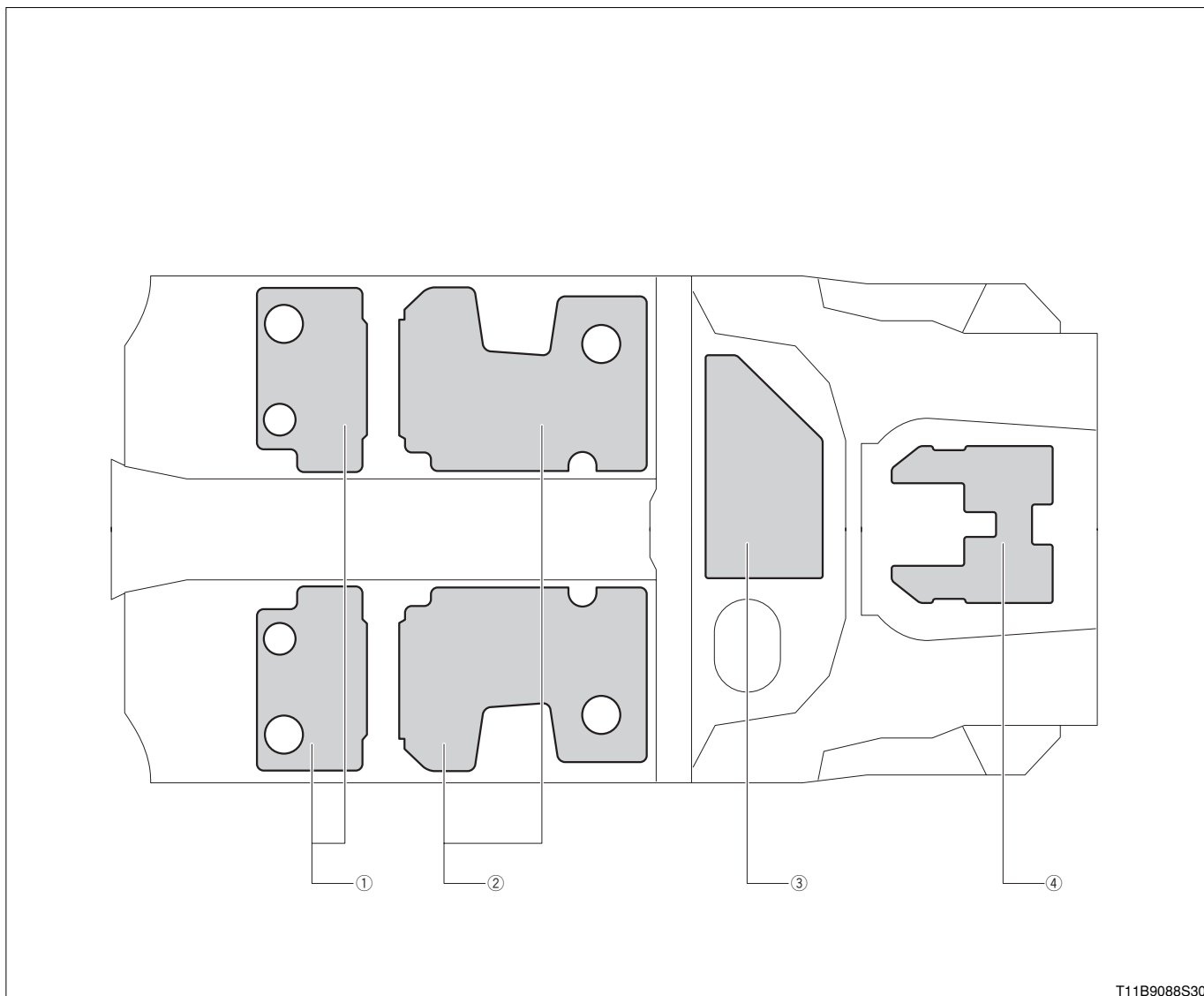
2. Check the body, frame and cross member for damage such as rust, crack, deformation, and peel-off of welding.

SPECIFIED VALUE: There shall be no damage, such as rust, crack, deformation, and peel-off of welding.

3. Move the door by hand to ensure there are no loose hinges due to excessive play.

SPECIFIED VALUE: There shall be no loosening.

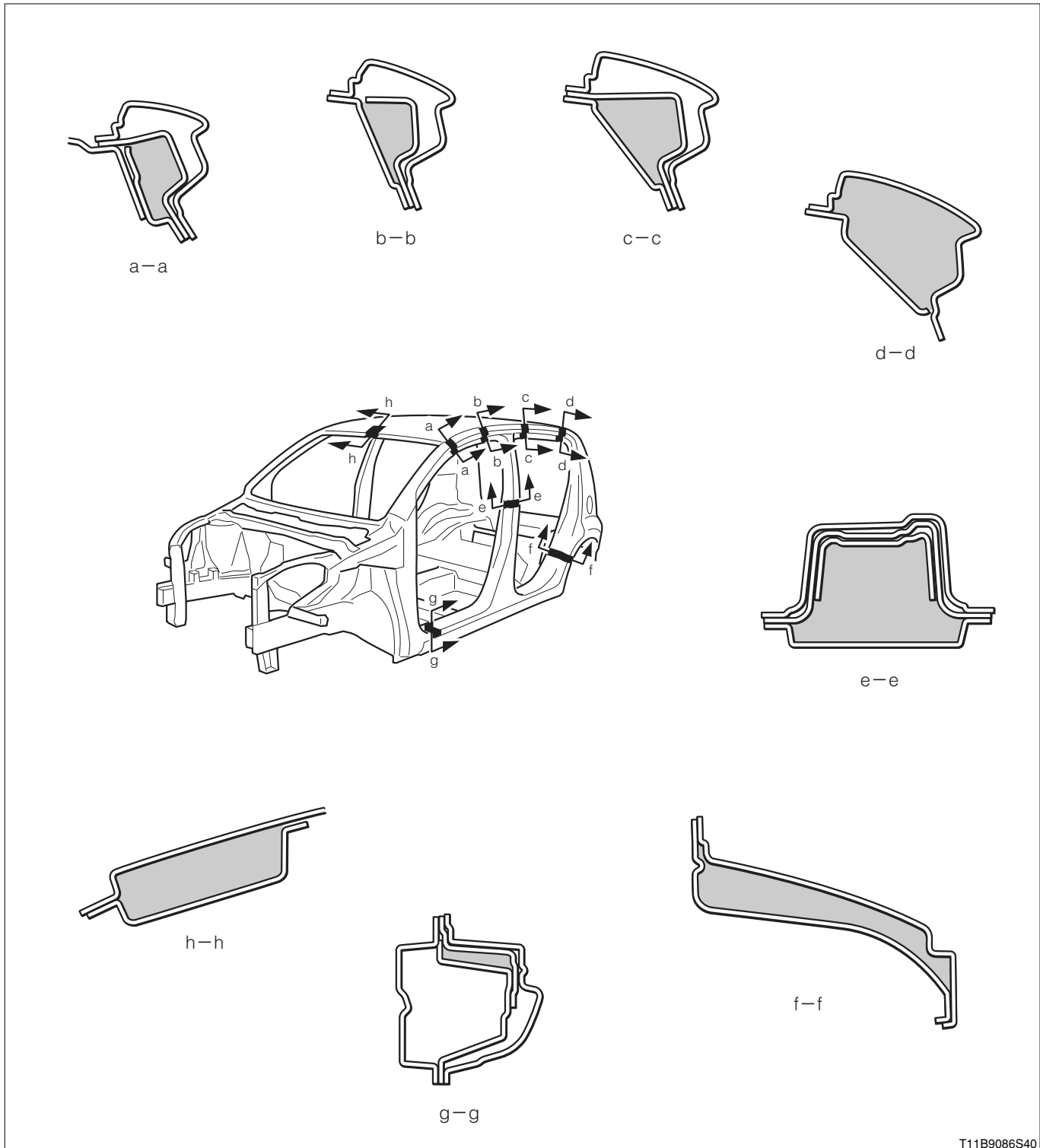
2 SILENT SHEET
2-1 REPLACEMENT



T11B9088S30

Measuring point	Part name	Thickness(mm)	Number of necessary sheets (pieces)
①	Sheet, front floor silencer, No.1	3.0	2
②	Sheet, front floor silencer, No.2	3.0	2
③	Sheet, rear floor silencer, No.1	1.5	1
④	Sheet, rear floor silencer, No.2	1.5	1

3 FORMED URETHANE 3-1 FILLING SECTION



4 FRONT SUSPENSION

4-1 FRONT WHEEL ALIGNMENT

1.As for the front wheel alignment values, refer to the [C1: Front suspension] of the repair manual.

5 REAR SUSPENSION

5-1 REAR WHEEL ALIGNMENT

1.As for the rear wheel alignment values, refer to the [C2: Rear suspension] of the repair manual.